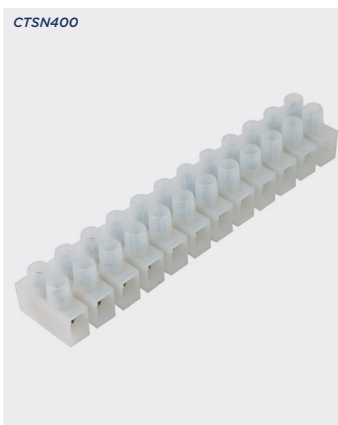


12 way nylon terminal strips

Product overview

- Moulded from:
 - Natural PA6 (standard, CTSN400)
 - Cream PA66 (CTSN500)
 - Grey PA66 glass fibre (CTSN600)
- Available with or without wire protection
- UL94-V2 self extinguishing as standard
- V0 types pass 960°C glow-wire test
- Printing available on request
- Easily cut to size
- Supplied cut to length on request
- Closed inserts (middle barrier) option
- Captive terminal screws
- UL US, CE, RoHS approved

SPECIFICATION		
Voltage	CTSN431-433 CTSN434-438	450VAC 750VAC (UL600VAC)
Working temperature	CTSN400 CTSN500 CTSN600	-30°C to +110°C -30°C to +110°C -30°C to +160°C
Moulding	CTSN400 CTSN500 CTSN600	UL94-V2 PA6 UL94-V0 PA66 UL94-V0 PA66 + GF
Standard insert	Nickel-plated brass	
Terminal screws	Zinc-plated steel CQ-15	
Wire protectors	Stainless steel	



Part Numbers shown are for standard PA6 material (e.g. CTSN433/12)

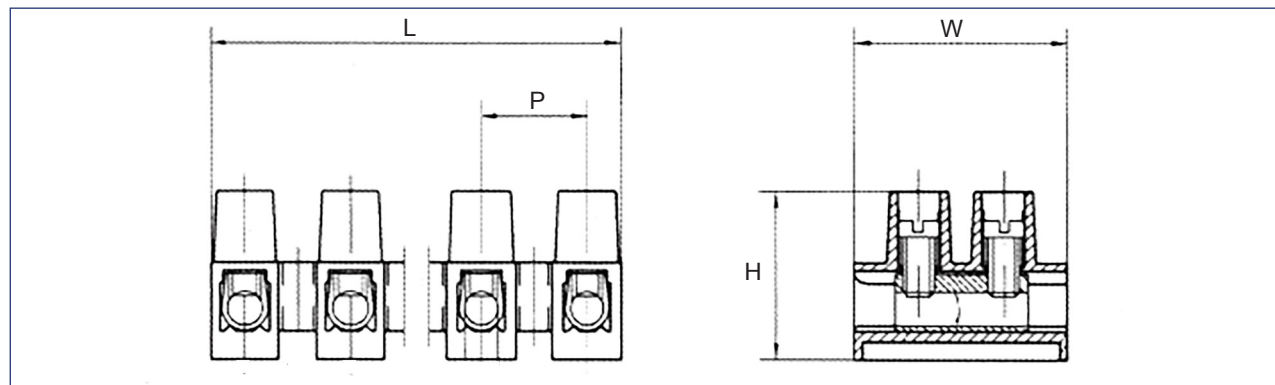
For CSTN500 PA66 material change first number to 5 (e.g. CTSN533/12)

For CSTN600 PA66+GF material change first number to 6 (e.g. CTSN633/12)

Standard type

PART NO.	PITCH/ UL RATING	WIRE PROTECTION	INSERT DIAMETER	CABLE ACCEPTANCE	TERMINAL SCREWS	LENGTH	WIDTH	HEIGHT	PITCH	FIXING HOLE DIAMETER	MAX CURRENT
CTSN431/12W	8mm/20A	No	3.2mm	4.0mm ² /12AWG	M3	94mm	18mm	15mm	8mm	2.8mm	32A
CTSN431/12	8mm/15A	Yes	3.2mm	2.5mm ² /14AWG	M3	94mm	18mm	15mm	8mm	2.8mm	32A
CTSN433/12W	10mm/30A	No	3.5mm	6.0mm ² /10AWG	M3	116mm	21mm	16mm	10mm	2.8mm	41A
CTSN433/12	10mm/20A	Yes	3.5mm	4.0mm ² /12AWG	M3	116mm	21mm	16mm	10mm	2.8mm	41A
CTSN434/12W	12mm/50A	No	4.4mm	10.0mm ² /8AWG	M3.5	140mm	23mm	18mm	12mm	2.8mm	57A
CTSN434/12	12mm/30A	Yes	4.4mm	6.0mm ² /10AWG	M3.5	140mm	23mm	18mm	12mm	2.8mm	57A
CTSN435/12W	13.5mm/65A	No	6.0mm	16.0mm ² /6AWG	M4	159mm	26mm	22.5mm	13.5mm	3.6mm	76A
CTSN435/12	13.5mm/65A	Yes	6.0mm	10.0mm ² /8AWG	M4	159mm	26mm	22.5mm	13.5mm	3.6mm	76A
CTSN438/12W	18mm/85A	No	7.5mm	3.5mm ² /2AWG	M5	177mm	31mm	27.5mm	15mm	3.4mm	101A

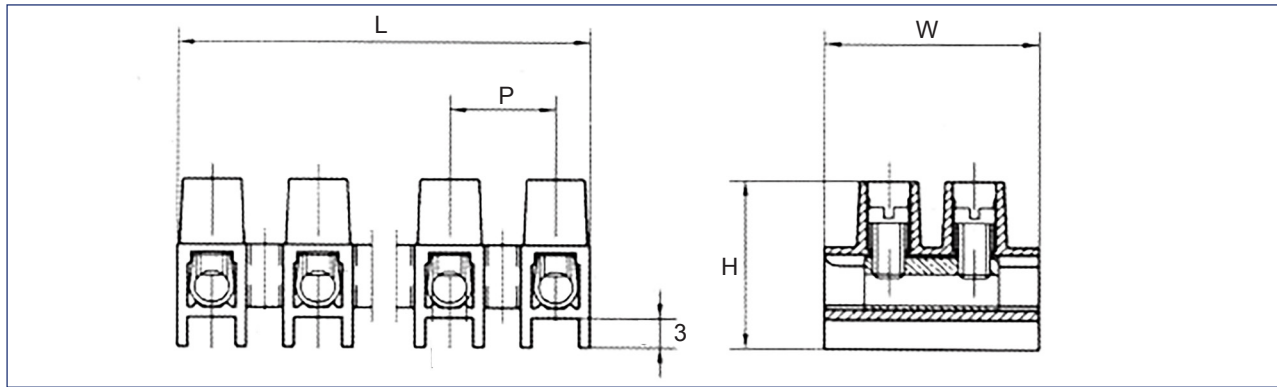
Standard type, no wire protection



Raised base

PART NO.	PITCH/ UL RATING	WIRE PROTECTION	INSERT DIAMETER	CABLE ACCEPTANCE	TERMINAL SCREWS	LENGTH	WIDTH	HEIGHT	PITCH	FIXING HOLE DIAMETER	MAX CURRENT
CTSN431/12WR	8mm/20A	No	3.2mm	4.0mm ² /12AWG	M3	94mm	18mm	17mm	8mm	2.8mm	32A
CTSN431/12R	8mm/20A	Yes	3.2mm	2.5mm ² /14AWG	M3	94mm	18mm	17mm	8mm	2.8mm	32A
CTSN433/12WR	10mm/30A	No	3.5mm	6.0mm ² /10AWG	M3	116mm	21mm	17.5mm	10mm	2.8mm	41A
CTSN433/12R	10mm/30A	Yes	3.5mm	4.0mm ² /12AWG	M3	116mm	21mm	17.5mm	10mm	2.8mm	41A
CTSN434/12WR	12mm/50A	No	4.4mm	10.0mm ² /8AWG	M3.5	140mm	23mm	20mm	12mm	2.8mm	57A
CTSN434/12R	12mm/50A	Yes	4.4mm	6.0mm ² /10AWG	M3.5	140mm	23mm	20mm	12mm	2.8mm	57A
CTSN435/12WR	13.5mm/65A	No	6.0mm	16.0mm ² /6AWG	M4	159mm	26mm	26mm	13.5mm	3.6mm	76A
CTSN435/12R	13.5mm/65A	Yes	6.0mm	10.0mm ² /8AWG	M4	159mm	26mm	26mm	13.5mm	3.6mm	76A

Raised base types - provides increased isolation



KEY FEATURES

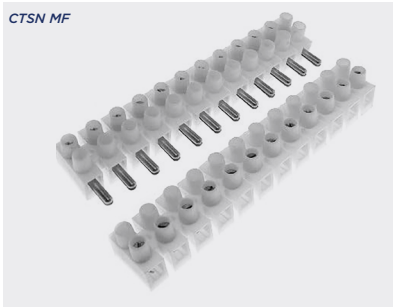
V2 or V0 material | Easily cut to required size | V0 types meet 960°C GWT



Pluggable terminal strips

Product overview

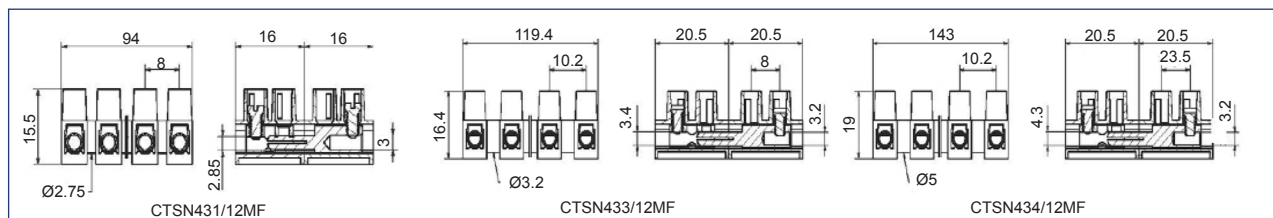
- Moulded in natural PA6, self extinguishing to UL94-V2
- Passes 960°C glow wire test
- Easily cut to size
- Supplied cut to length on request
- Printing available on request
- CE approved



SPECIFICATION	
Voltage (max)	450V AC
Working temperature	-30°C to +110°C (PA6.6 to +150°C)
Moulding	UL94-V2 self extinguishing PA6
Conducting bush	Nickel-plated brass
Terminal screws	Zinc-plated steel

Standard type

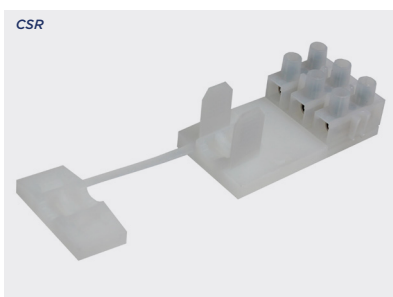
PART NO.	PITCH/ UL RATING	INSERT DIAMETER	CABLE ACCEPTANCE	TERMINAL SCREWS	LENGTH	WIDTH	HEIGHT	PITCH	FIXING HOLE DIAMETER	MAX CURRENT
CTSN431/12MF	8mm/6A	2.9mm	4.0mm ² /12AWG	M3	94mm	16mm	15.5mm	8mm	2.75mm	17.5A
CTSN433/12MF	10.25mm/10A	3.4mm	2.5mm ² /14AWG	M3	119.4mm	20.5mm	16.4mm	10.25mm	3.2mm	24A
CTSN434/12MF	12.5mm/16A	4.3mm	6.0mm ² /10AWG	M3.5	143mm	23.5mm	19mm	12.3mm	3.5mm	57A



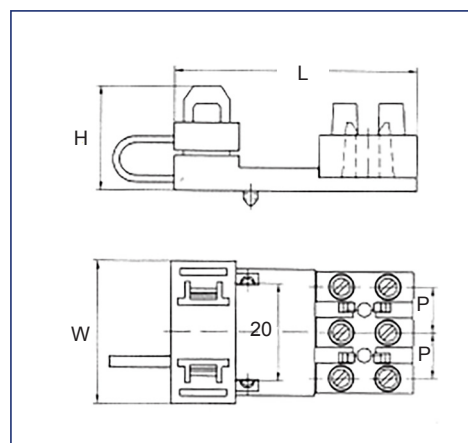
Strain relief

Product overview

- Clamps external conductors in lighting fixtures according to EN60598
- Natural colour PA6
- Relieves strain on cables
- Prevents conductors from twisting
- Protects wire coating from abrasion and friction



PART NO.	TERMINAL STRIP	LENGTH	WIDTH	HEIGHT
CSR1	CTSN431	49.5mm	31mm	22.5mm
CSR2	CTSN433	52.5mm	31mm	22.5mm
CSR3	CTSN434	54.5mm	31mm	22.5mm



KEY FEATURES

Pluggable style | Easily cut to required size | V0 to GWT 960°C

