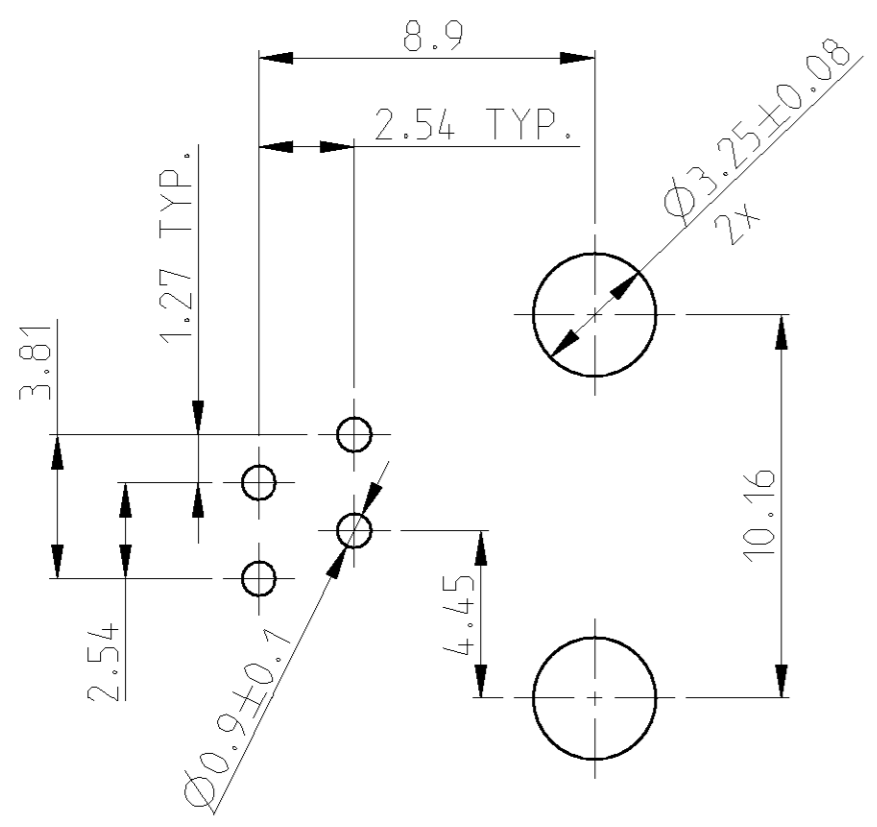
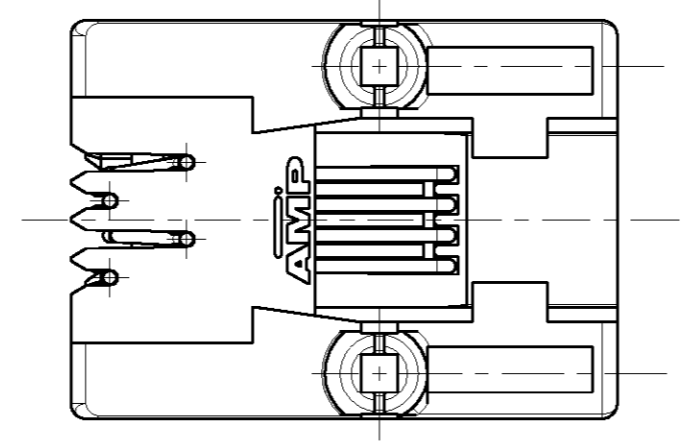
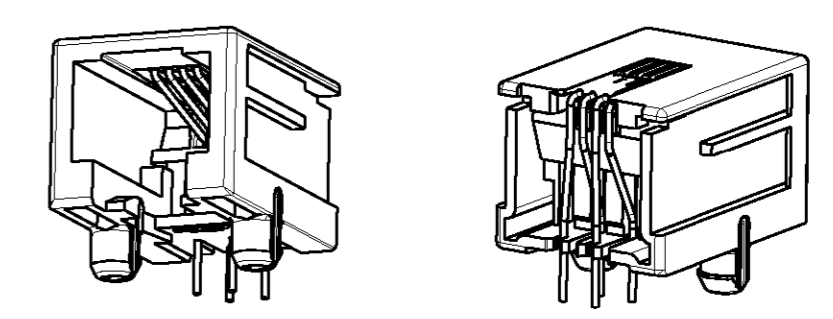
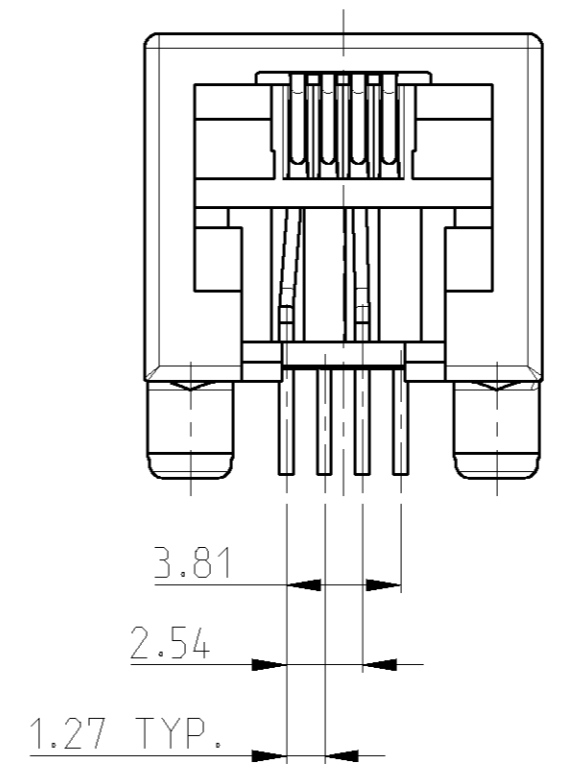
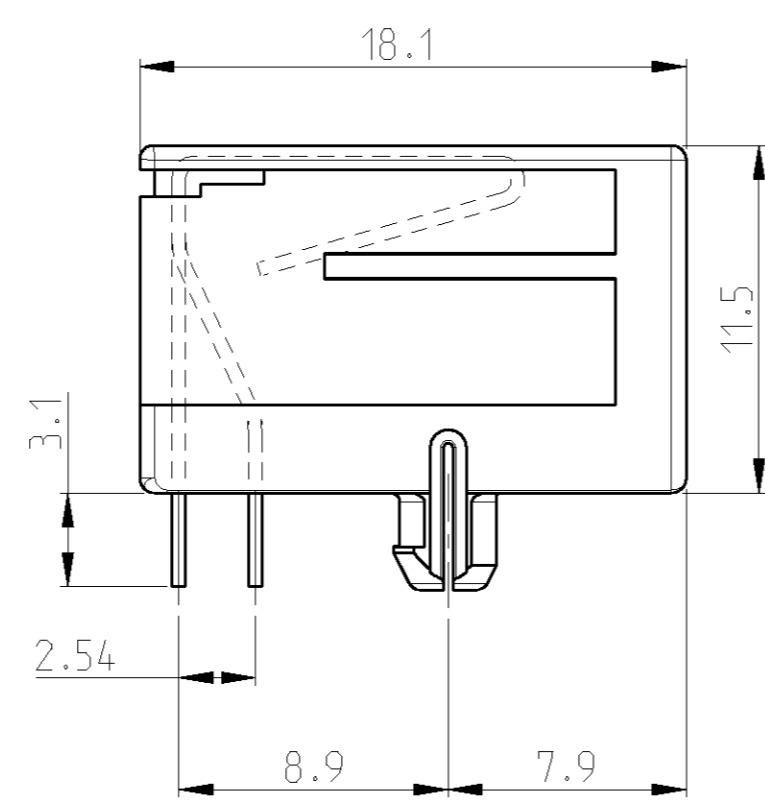
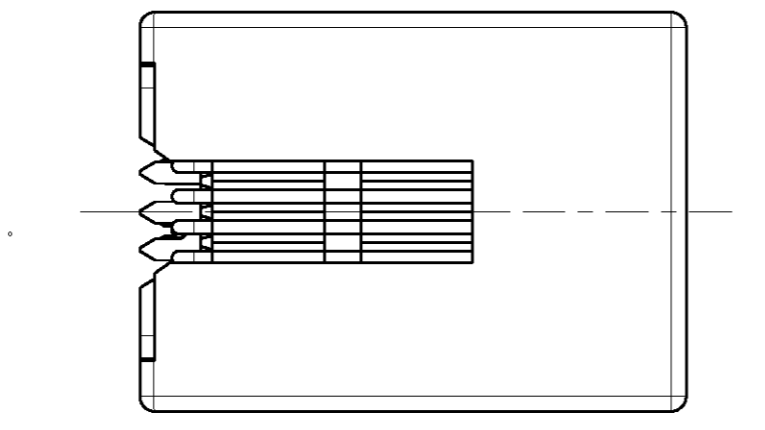
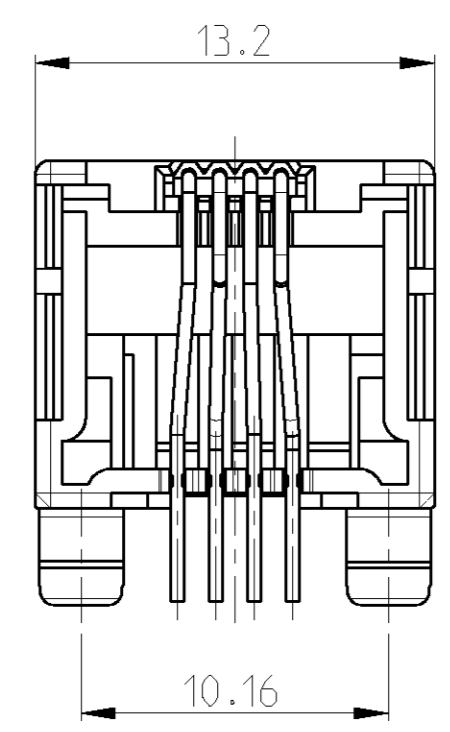


THIS DRAWING IS UNPUBLISHED. RELEASED FOR PUBLICATION 2000  
 © COPYRIGHT 2000 BY TYCO ELECTRONICS CORPORATION. ALL RIGHTS RESERVED.

LOC	DIST	REVISIONS			
P	LTR	DESCRIPTION	DATE	DWN	APVD
		SEE SHEET 1	-	-	-

- 1 SEE SHEET 1 FOR MODULAR JACK 6 POS./6 CONTACTS.
- 2 FOR APPLICATION INFORMATION SEE AMP SPEC. 114-19019.
- 3 FOR PERFORMANCE REQUIREMENT SEE AMP SPEC. 108-19064.
- 4 TOLERANCES UNLESS OTHERWISE SPECIFIED:  $\pm 0,15$ .



TAPE MOUNTED 800 PCS/REEL	6 POS./ 4 CONTACTS	IN CONTACT AREA: 1,2 μm MIN. SEL. GOLD OVER 1,2 μm MIN. NICKEL	HOUSING COLOR BLACK: PBT, UL 94 V-0	215876-2
	SUPERSEDED BY 215876-2	SOLDER TINES: 2,5 μm MIN. TIN OVER 1,2 μm MIN. NICKEL	CONTACT INSERT: PBT, UL 94 V-0	<del>1 215876-2</del>
PACKAGING	REMARKS	FINISH	MATERIAL	P/N

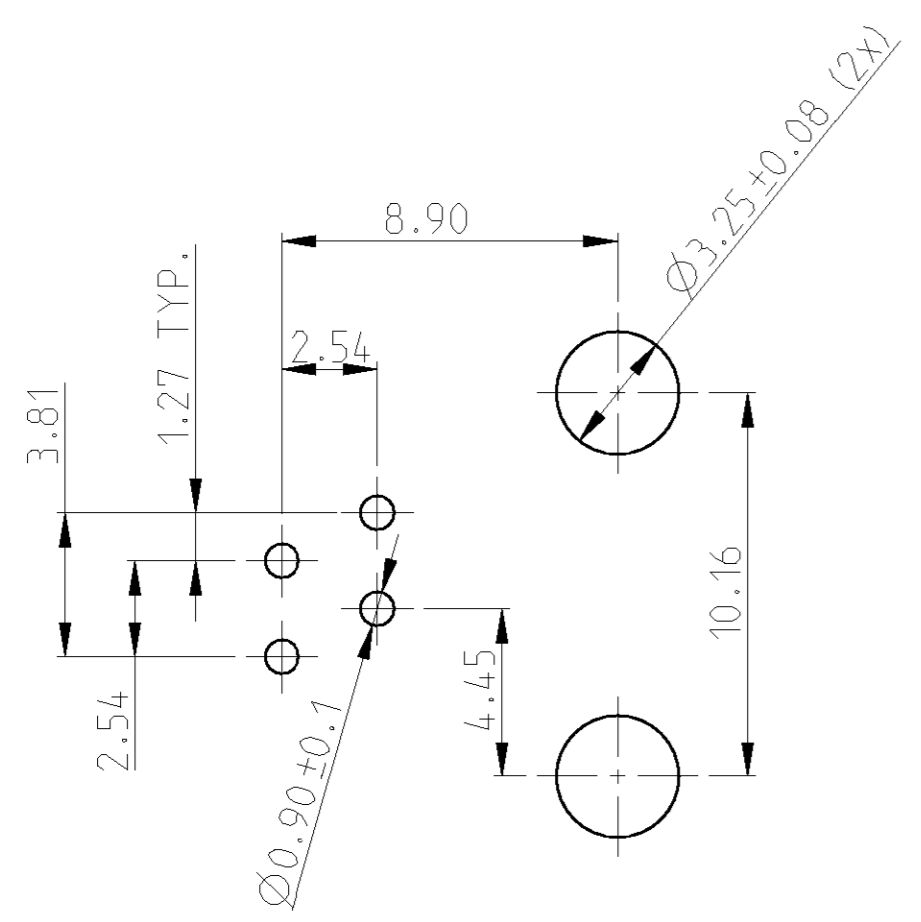
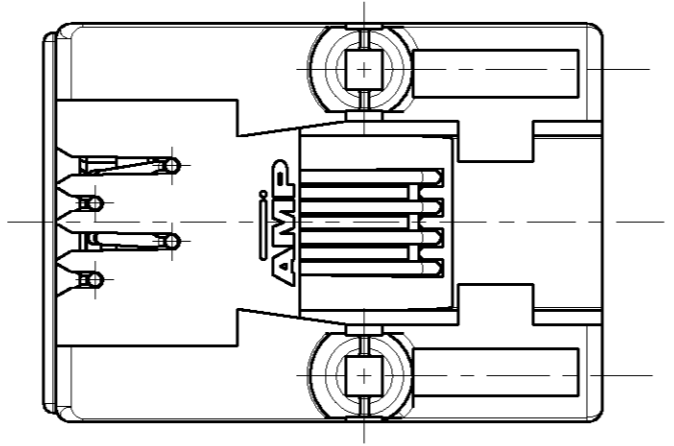
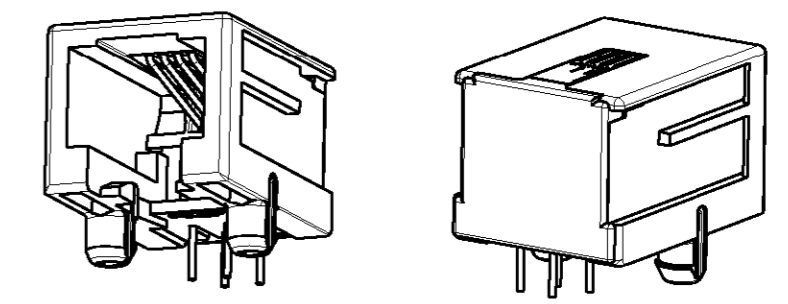
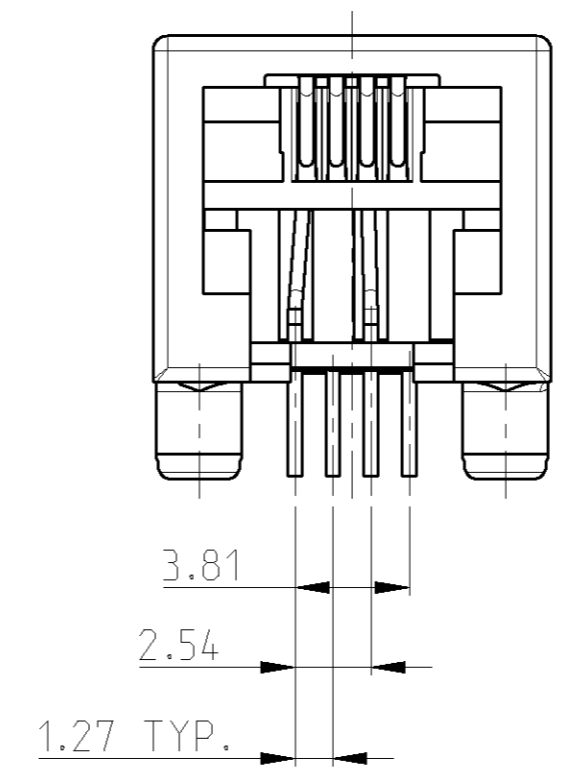
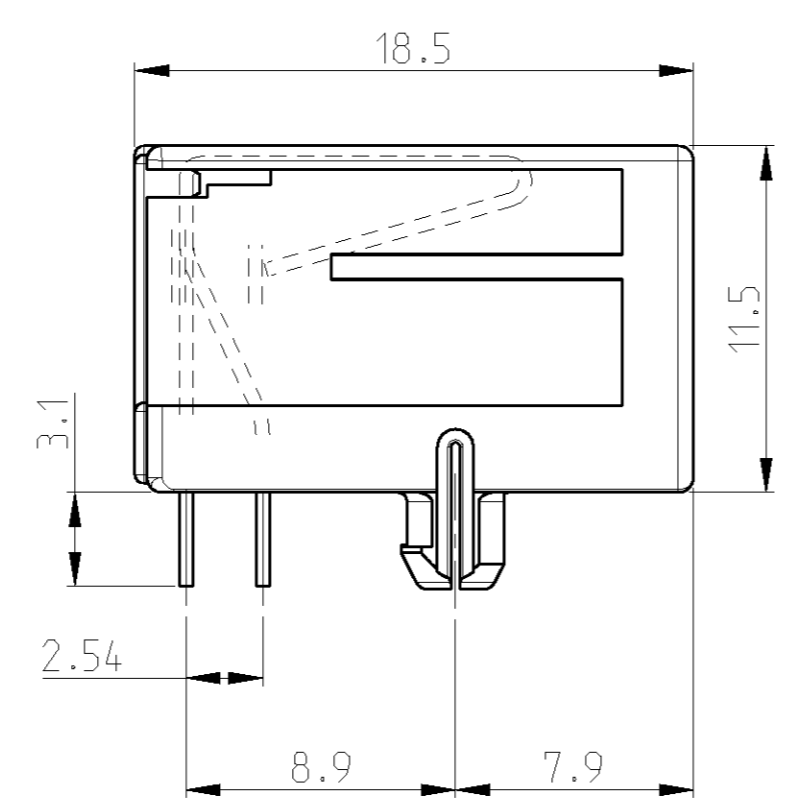
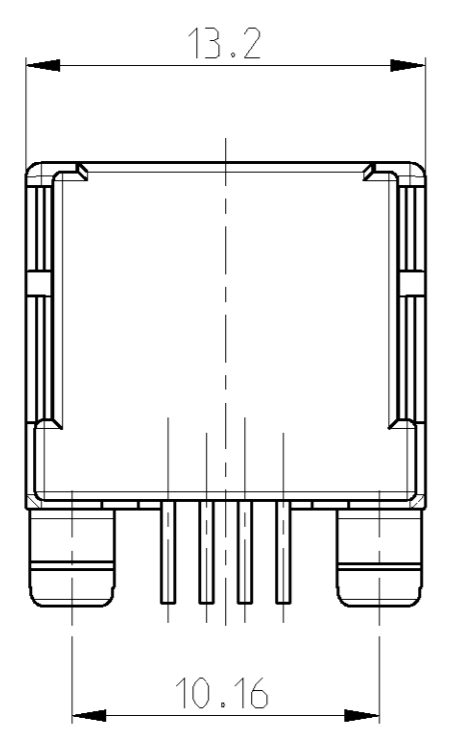
PRINTED CIRCUIT BOARD LAYOUT (6 POS./4 CONTACT)  
 [VIEW SHOWN IS CIRCUIT (NON-COMPONENT) SIDE OF BOARD]  
 PRINTED CIRCUIT BOARD THICKNESS: 1,6mm NOMINAL.  
 TOLERANCES UNLESS OTHERWISE SPECIFIED:  $\pm 0,05$ .

<small>THIS DRAWING IS A CONTROLLED DOCUMENT FOR TYCO ELECTRONICS CORPORATION          IT IS SUBJECT TO CHANGE AND THE CONTROLLING ENGINEERING ORGANIZATION          SHOULD BE CONTACTED FOR THE LATEST REVISION.</small>		DWN G.CONSTANT 24 SEP 96 CHK G.CONSTANT 24 SEP 96 APVD R.SMEETS - PRODUCT SPEC 108-19064 APPLICATION SPEC 114-19019 WEIGHT - CUSTOMER DRAWING	<b>tyco</b> <b>Electronics</b> Tyco Electronics Nederland B.V. 's-Hertogenbosch, The Netherlands NAME MODULAR JACK, SIDE ENTRY, 6/4 FOR PRINTED CIRCUIT BOARD SIZE A2 CAGE CODE 00779 DRAWING NO. 215876 RESTRICTED TO - SCALE 4:1 SHEET 2 OF 4 REV 7
---	--	--	---

THIS DRAWING IS UNPUBLISHED. RELEASED FOR PUBLICATION 2000  
 © COPYRIGHT 2000 BY TYCO ELECTRONICS CORPORATION. ALL RIGHTS RESERVED.

LOC	DIST	REVISIONS			
P	LTR	DESCRIPTION	DATE	DWN	APVD
GW	-	SEE SHEET 1	-	-	-

- 1 SEE SHEET 3 FOR MODULAR JACK 6 POS./6 CONTACTS WITH CONTACT COVER.
- 2 FOR APPLICATION INFORMATION SEE AMP SPEC. 114-19019.
- 3 FOR PERFORMANCE REQUIREMENT SEE AMP SPEC. 108-19064.
- 4 TOLERANCES UNLESS OTHERWISE SPECIFIED: ±0.15.



PACKAGING	REMARKS	FINISH	MATERIAL	P/N
TAPE MOUNTED 800 PCS/REEL	6 POS./ 4 CONTACTS	IN CONTACT AREA: 1.2 µm MIN. SEL. GOLD OVER 1.2 µm MIN. NICKEL  SOLDER TINES: 2.5 µm MIN. TIN OVER 1.2 µm MIN. NICKEL	HOUSING COLOR BLACK PBT, UL94 V-0  CONTACT INSERT: PBT, UL94 V-0  CONTACT COVER: PBT, UL94 V-0  CONTACTS: PH-BRONZE	5-215876-2

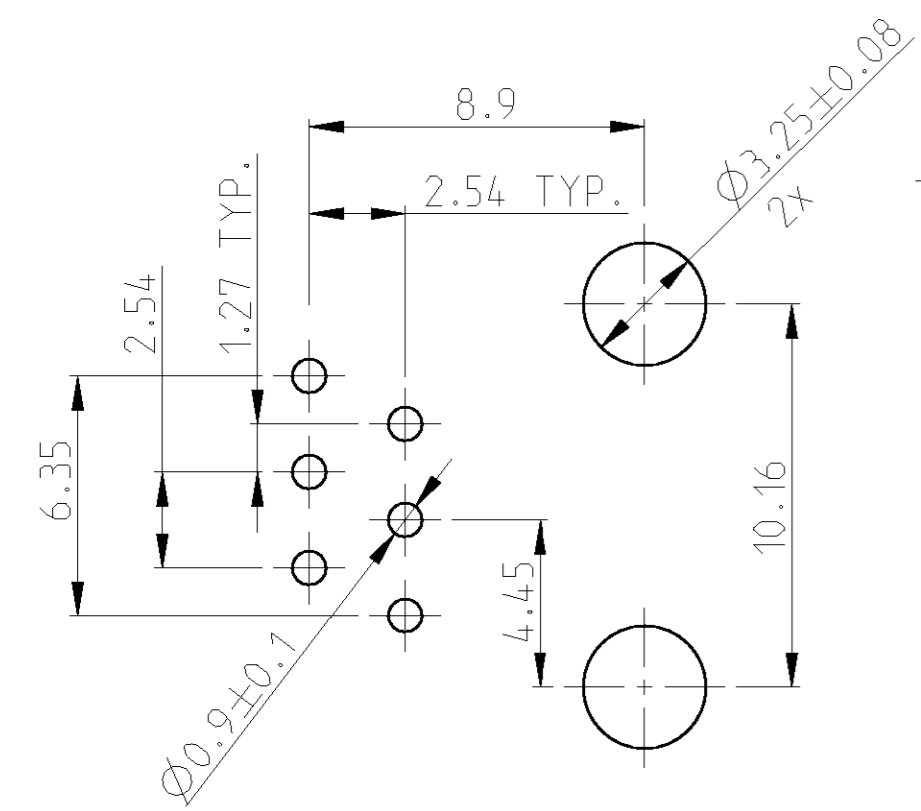
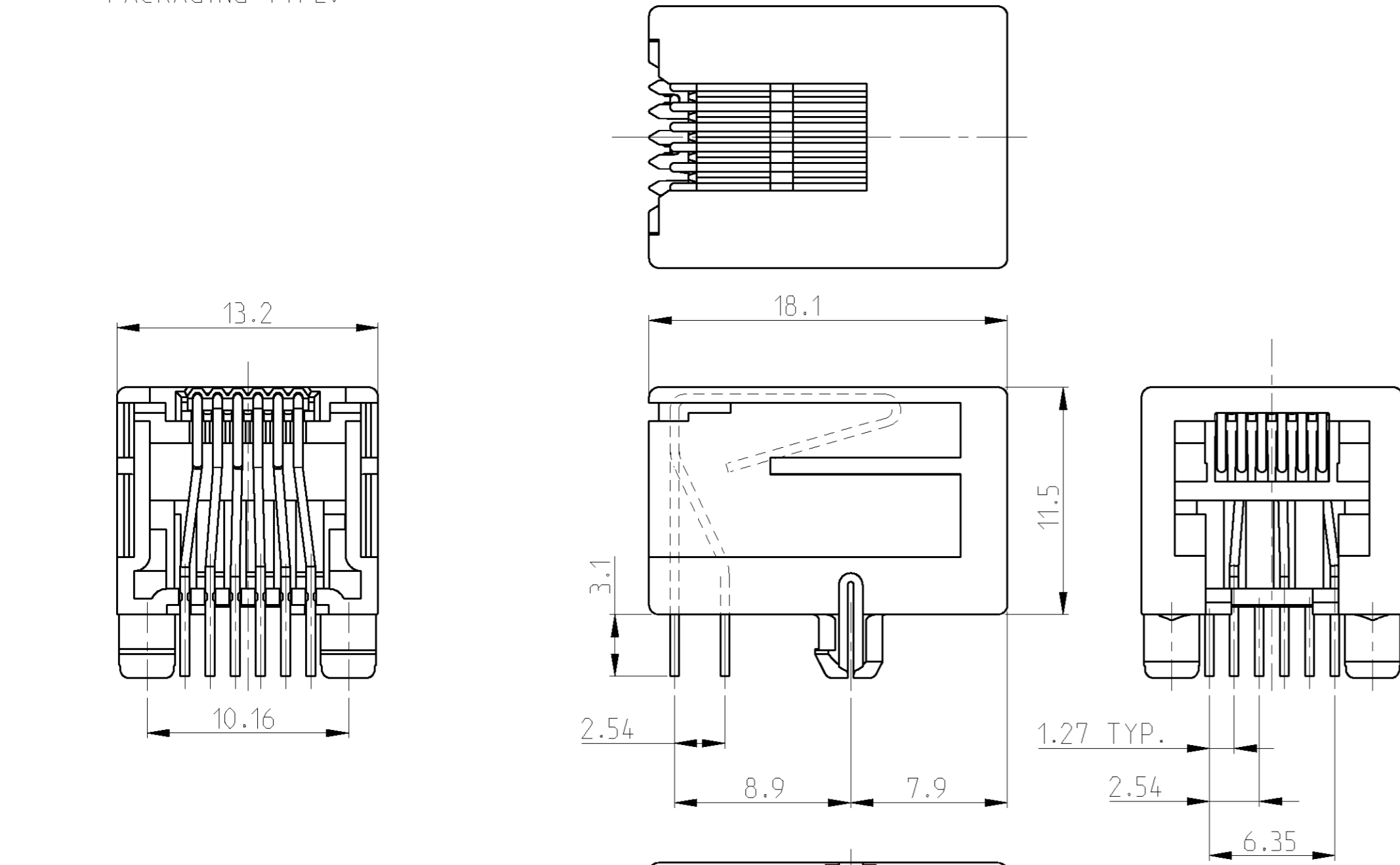
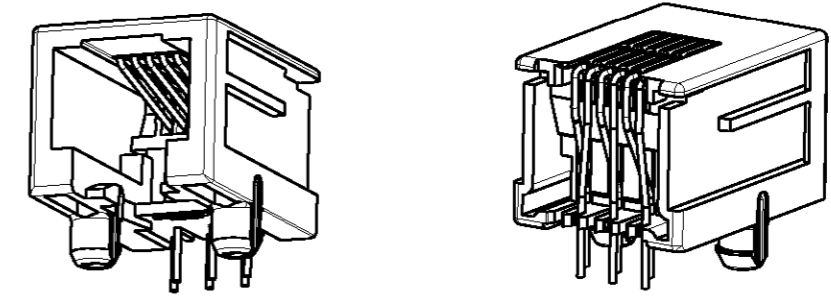
PRINTED CIRCUIT BOARD LAYOUT (6 POS./4 CONTACT)  
 [VIEW SHOWN IS CIRCUIT (NON-COMPONENT) SIDE OF BOARD]  
 PRINTED CIRCUIT BOARD THICKNESS: 1.6mm NOMINAL.  
 TOLERANCES UNLESS OTHERWISE SPECIFIED: ± 0.05.

<small>THIS DRAWING IS A CONTROLLED DOCUMENT FOR TYCO ELECTRONICS CORPORATION          IT IS SUBJECT TO CHANGE AND THE CONTROLLING ENGINEERING ORGANIZATION          SHOULD BE CONTACTED FOR THE LATEST REVISION.</small>		DWN P.Willems 10-OCT-05 CHK P.Willems 10-OCT-05 APVD J.Broeksteeg 10-OCT-05	<b>tyco</b> <b>Electronics</b>	Tyco Electronics Nederland B.V. 's-Hertogenbosch, The Netherlands
DIMENSIONS: mm	TOLERANCES UNLESS OTHERWISE SPECIFIED: 0 PLC ± 1 PLC ± 2 PLC ± 3 PLC ± 4 PLC ± ANGLES ± FINISH -	PRODUCT SPEC 108-19064 APPLICATION SPEC 114-19019 WEIGHT -	NAME MODULAR JACK, SIDE ENTRY, 6/4 FOR PRINTED CIRCUIT BOARD WITH CONTACT COVER	
MATERIAL -		CUSTOMER DRAWING	SIZE A2 CAGE CODE 00779 DRAWING NO. C=215876	RESTRICTED TO - SCALE 4:1 SHEET 4 OF 4 REV 7

THIS DRAWING IS UNPUBLISHED. RELEASED FOR PUBLICATION 2000  
 © COPYRIGHT 2000 BY TYCO ELECTRONICS CORPORATION. ALL RIGHTS RESERVED.

LOC	DIST	REVISIONS					
		P	LTR	DESCRIPTION	DATE	DWN	APVD
GW	-		Y	EH01-0170-04	17-FEB-04	PW	PG
			Z	ECR-05-012760	10-OCT-05	PW	JB

- SEE SHEET 2 FOR MODULAR JACK 6 POS./4 CONTACTS
  - FOR APPLICATION INFORMATION SEE AMP SPEC. 114-19019.
  - FOR PERFORMANCE REQUIREMENTS SEE AMP SPEC. 108-19064.
  - TOLERANCES UNLESS OTHERWISE SPECIFIED: ± 0,15mm.
- ⚠ TRUE POSITIONING WILL NOT BE GUARANTEED USING THIS PACKAGING TYPE.



PRINTED CIRCUIT BOARD LAYOUT (6 POS./6 CONTACTS)  
 [VIEW SHOWN IS CIRCUIT (NON-COMPONENT) SIDE OF BOARD]  
 PRINTED CIRCUIT BOARD THICKNESS: 1,6mm NOMINAL.  
 TOLERANCES UNLESS OTHERWISE SPECIFIED: ± 0,05

PACKAGING	REMARKS	FINISH	MATERIAL	P/N
TAPE MOUNTED 800 PCS/REEL			HOUSING COLOR BLACK	2-215876-3
BULK PACKED 1000 PCS IN A BOX ⚠			HOUSING AND CONTACT INSERT: RE-FLOW TEMPERATURE RESISTANT UL 94-V0	2-215876-1
240 PIECES IN A TRAY	6 POS./ 6 CONTACTS	IN CONTACT AREA: 1,2 µm MIN. SEL. GOLD OVER 1,2 µm MIN. NICKEL	HOUSING PA 4.6 CONTACT INSERT: PCT	2-215876-0
BULK PACKED 1000 PCS IN A BOX ⚠		SOLDER TINES: 2,5 µm MIN. TIN OVER 1,2 µm MIN. NICKEL	CONTACTS: PH-BRONZE	2-215876-0
240 PIECES IN A TRAY			HOUSING COLOR BLACK PBT, UL 94 V-0	3-215876-1
<del>108 PCS IN A MULTI-TUBE</del>	<del>SUPERSEDED BY 1-215876-3</del>		CONTACT INSERT: PBT, UL 94 V-0	1-215876-3
TAPE MOUNTED 800 PCS/REEL	6 POS./ 6 CONTACTS		CONTACTS: Ph-BRONZE	1-215876-1
				215876-1

THIS DRAWING IS A CONTROLLED DOCUMENT FOR TYCO ELECTRONICS CORPORATION  
 IT IS SUBJECT TO CHANGE AND THE CONTROLLING ENGINEERING ORGANIZATION  
 SHOULD BE CONTACTED FOR THE LATEST REVISION.

DWN: G.CONSTANT 24 SEP 96  
 CHK: G.CONSTANT 24 SEP 96  
 APVD: R.SMEETS  
 PRODUCT SPEC: 108-19064  
 APPLICATION SPEC: 114-19019  
 WEIGHT: -

**tyco Electronics** Tyco Electronics Nederland B.V.  
 's-Hertogenbosch, The Netherlands

NAME: MODULAR JACK, SIDE ENTRY, 6/6 FOR PRINTED CIRCUIT BOARD

SIZE: A2 CAGE CODE: 00779 DRAWING NO: 215876 RESTRICTED TO: -  
 SCALE: 4:1 SHEET: 1 OF 4 REV: Z

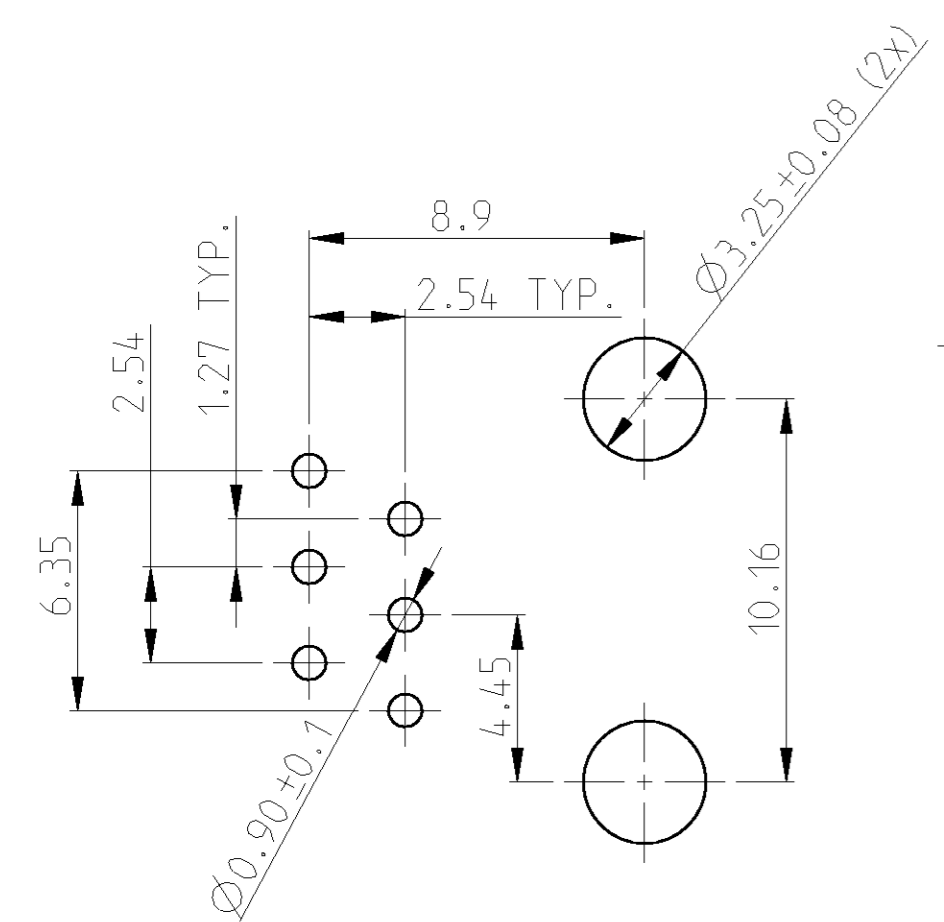
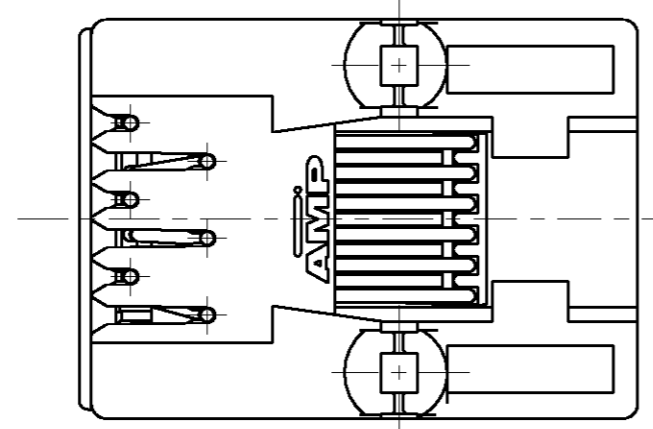
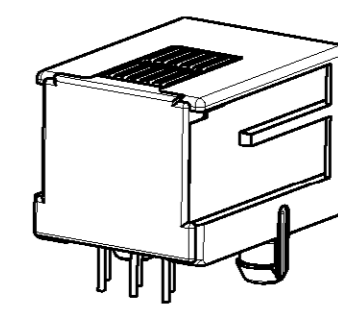
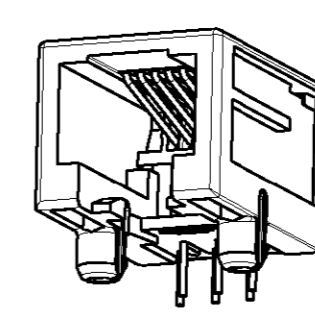
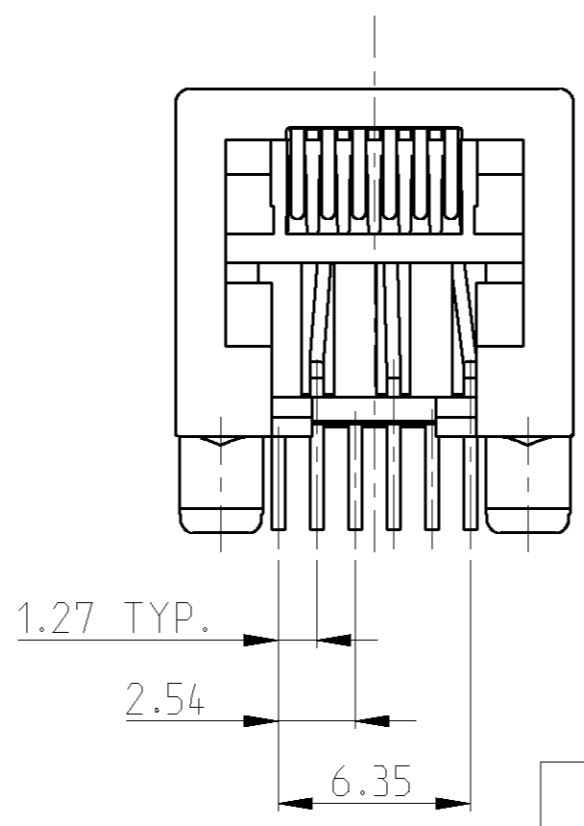
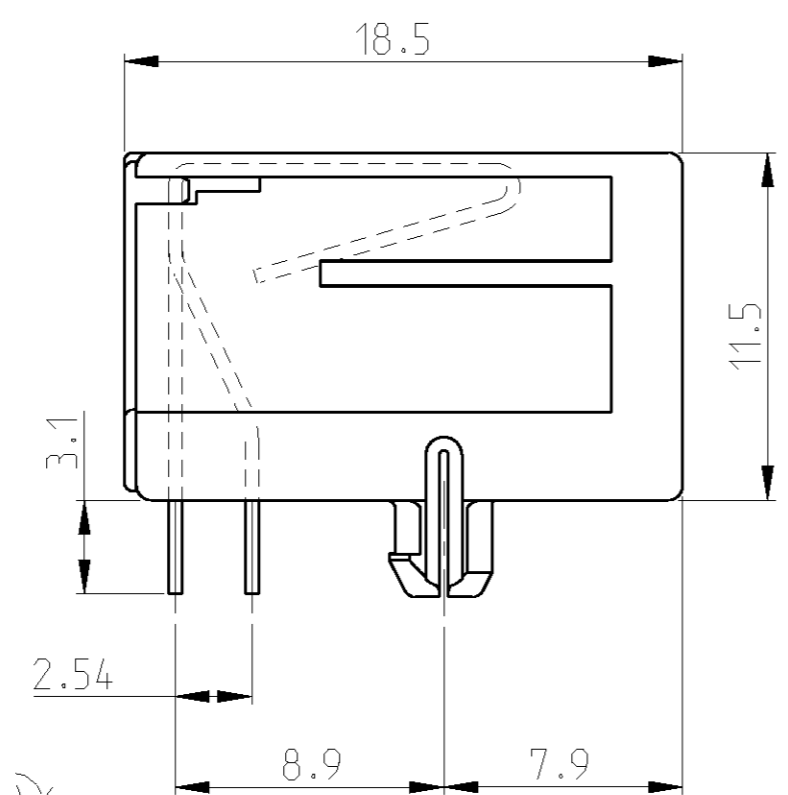
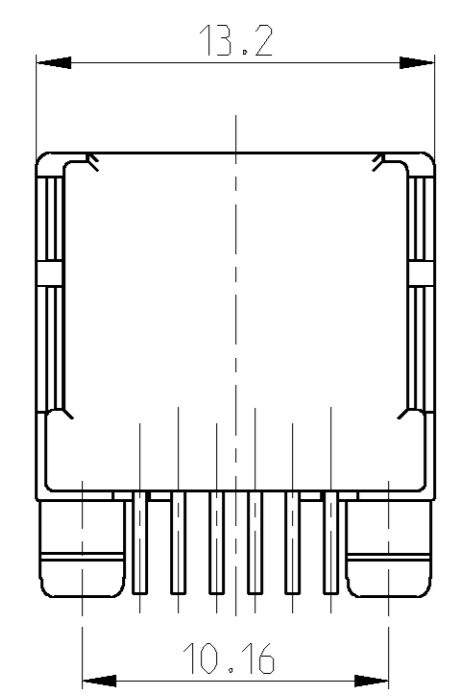
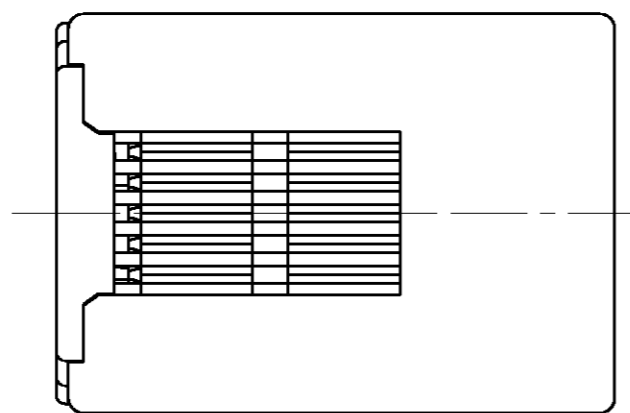
CUSTOMER DRAWING

THIS DRAWING IS UNPUBLISHED. RELEASED FOR PUBLICATION 2000  
 © COPYRIGHT 2000 BY TYCO ELECTRONICS CORPORATION. ALL RIGHTS RESERVED.

LOC	DIST	REVISIONS					
		P	LTR	DESCRIPTION	DATE	DWN	APVD
GW	-	-	-	SEE SHEET 1	-	-	-
		-	-				

- SEE SHEET 4 FOR MODULAR JACK 6 POS./4 CONTACTS WITH CONTACT COVER.
- FOR APPLICATION INFORMATION SEE AMP SPEC. 114-19019.
- FOR PERFORMANCE REQUIREMENTS SEE AMP SPEC. 108-19064.
- TOLERANCES UNLESS OTHERWISE SPECIFIED: ± 0,15mm.

5 TRUE POSITIONING WILL NOT BE GUARANTEED USING THIS PACKAGING TYPE.



PRINTED CIRCUIT BOARD LAYOUT (6 POS./6 CONTACTS)  
 [VIEW SHOWN IS CIRCUIT (NON-COMPONENT) SIDE OF BOARD]  
 PRINTED CIRCUIT BOARD THICKNESS: 1,6mm NOMINAL.  
 TOLERANCES UNLESS OTHERWISE SPECIFIED: ± 0,05

PACKAGING	REMARKS	FINISH	MATERIAL	P/N
BULK PACKED 1000 PCS IN A BOX	6 POS./ 6 CONTACTS	IN CONTACT AREA: 1.2 µm MIN. SEL. GOLD OVER 1,2 µm MIN. NICKEL  SOLDER TINES: 2,5 µm MIN. TIN OVER 1,2 µm MIN. NICKEL	HOUSING COLOR BLACK PBT, UL94 V-0	5-215876-4
240 PIECES IN A TRAY			CONTACT INSERT: PBT, UL94 V-0	5-215876-3
TAPE MOUNTED 800 PCS/REEL			CONTACT COVER: PBT, UL94 V-0	5-215876-1
			CONTACTS: Ph-BRONZE	

<small>THIS DRAWING IS A CONTROLLED DOCUMENT FOR TYCO ELECTRONICS CORPORATION          IT IS SUBJECT TO CHANGE AND THE CONTROLLING ENGINEERING ORGANIZATION          SHOULD BE CONTACTED FOR THE LATEST REVISION.</small>		DWN P.Willems 10-OCT-05 CHK P.Willems 10-OCT-05 APVD J.Broeksteeg 10-OCT-05	<b>tyco</b> <b>Electronics</b> Tyco Electronics Nederland B.V. 's-Hertogenbosch, The Netherlands
DIMENSIONS: mm 	TOLERANCES UNLESS OTHERWISE SPECIFIED: 0 PLC ± 1 PLC ±0.1 2 PLC ±0.01 3 PLC ±0.001 4 PLC ±0.0001 ANGLES ± FINISH -	PRODUCT SPEC 108-19064 APPLICATION SPEC 114-19019 WEIGHT - CUSTOMER DRAWING	NAME MODULAR JACK, SIDE ENTRY, 6/6 FOR PRINTED CIRCUIT BOARD WITH CONTACT COVER SIZE A2 CAGE CODE 00779 DRAWING NO. C=215876 RESTRICTED TO - SCALE 4:1 SHEET 3 OF 4 REV 7