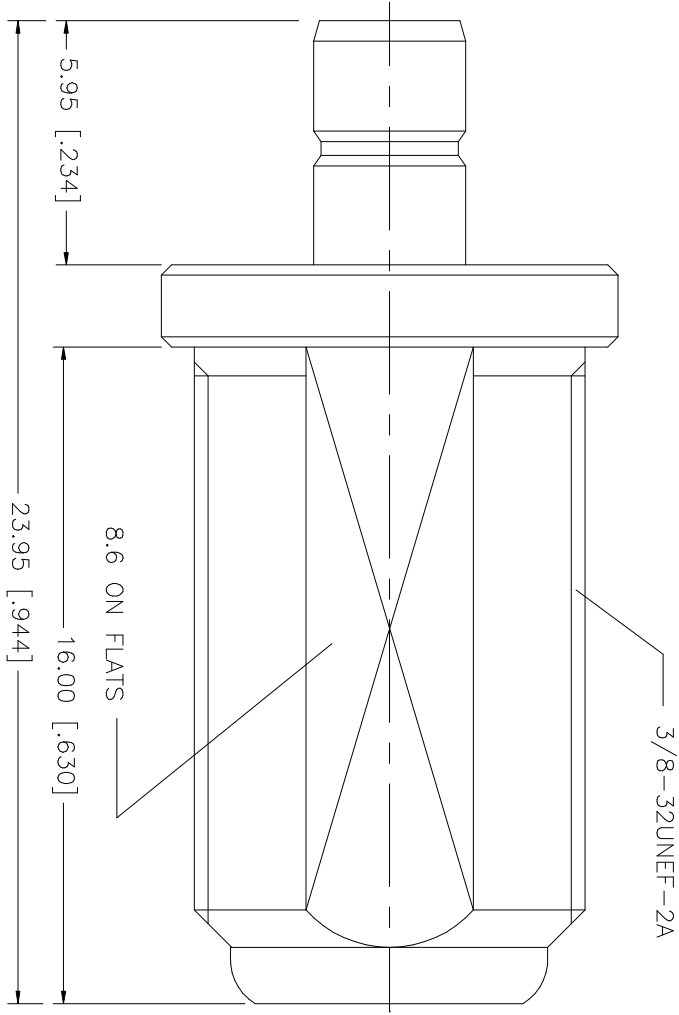


REV.	DATE	DESCRIPTION
NC	04/05/06	INITIAL RELEASE



NO.	DESCRIPTION	MATERIAL	FINISH	QTY	UNLESS OTHERWISE SPECIFIED DIMENSIONS ARE IN INCHES AND FOR CUSTOMER REFERENCE ONLY. TOLERANCES FOR MILLIMETERS ARE:	APPROVALS	DATE	PART DESCRIPTION		
8					0.5 - 8mm ± 0.20mm	UNLESS OTHERWISE SPECIFIED DIMENSIONS ARE IN INCHES AND FOR CUSTOMER REFERENCE ONLY. TOLERANCES FOR MILLIMETERS ARE: 0.5 - 8mm ± 0.20mm 8 - 30mm ± 0.40mm 30 - 120mm ± 0.50mm UNLESS OTHERWISE SPECIFIED DIMENSIONS ARE IN INCHES AND FOR CUSTOMER REFERENCE ONLY. TOLERANCES FOR INCHES ARE: .020 - .315 = ± 0.007" .315 - 1.180 = ± 0.015" 1.180 - 4.724 = ± 0.020"		<b>Amphenol Connex</b> SMB JACK TO F JACK ADAPTER		
7							DRAWN		G.R.S.	04/05/06
6							CHECKED			
5							ISSUED			
4							SHEET		1 OF 1	
3	CONTACT PIN	BER. COPPER	GOLD	1				PART NO.	242224	
2	INSULATOR	TEFLON	NATURAL	1				DWG. NO.	242224.DWG	
1	BODY	BRASS	NICKEL	1				REV.	NC	
	DESCRIPTION	MATERIAL	FINISH	QTY	DO NOT SCALE DRAWING			SIZE	A	
								SCALE	NA	