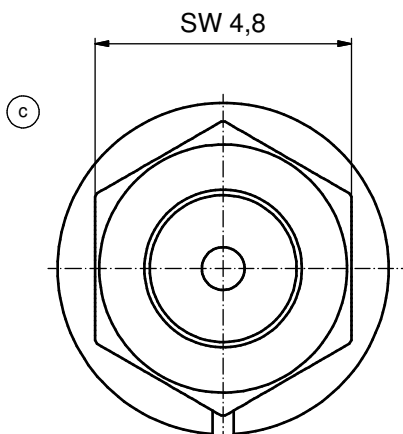
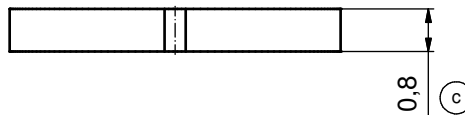
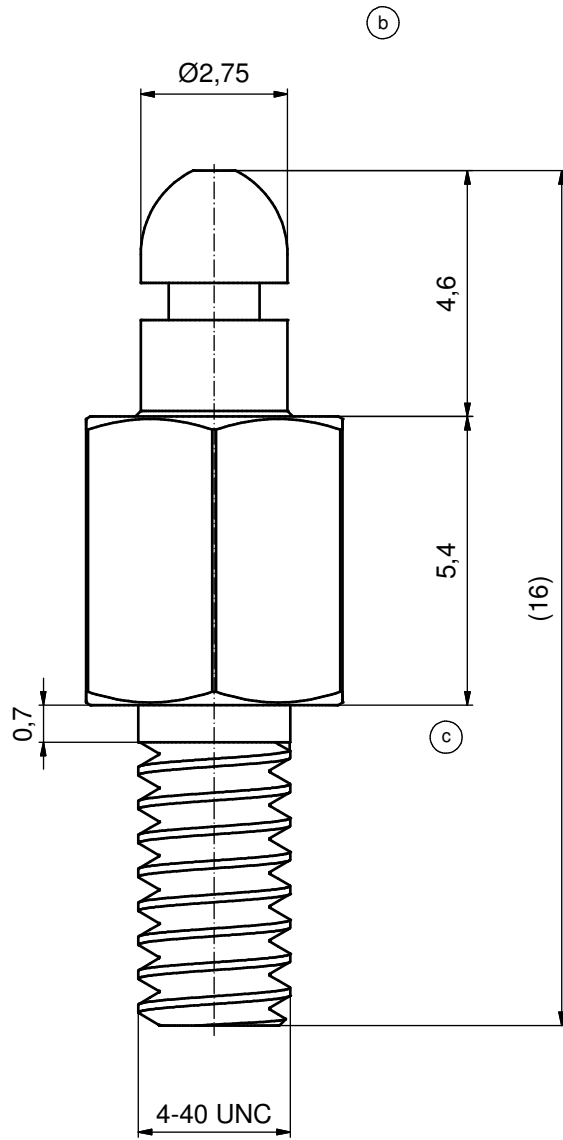
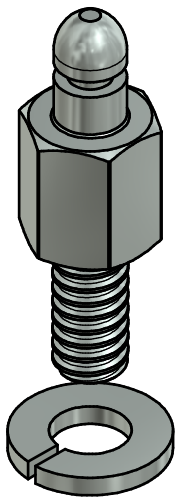
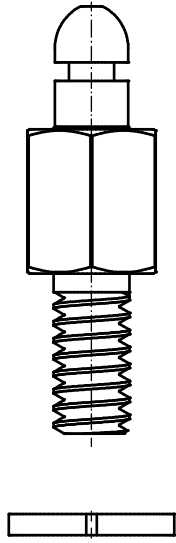


A set consists of:

- 2 detent pin
- 2 spring washer



NOTES:

1. Detent pin: Steel; Nickel plated
2. Spring washer: Steel; Nickel plated

RoHS compliant

THIS DRAWING MAY NOT BE COPIED OR REPRODUCED IN ANY WAY, AND MAY NOT BE PASSED ON TO A THIRD PARTY WITHOUT WRITTEN PERMISSION. OWNERSHIP AND COPYRIGHT OF CONEC GmbH DO NOT ALTER CAD DRAWING BY HAND					tolerance ISO 2768-m		scale: 10:1				
					date	name	material: SEE NOTES				
					drawn	22.10.14	Henneboel				
					appd.	22.10.14	Strakerjahn				
					norm						
					3 x c	Ä5856	15.10.2015	K.H.	d-old	title: Detent Pin with threaded 4-40 UNC for Snap Lock with spring ring	
					2 x b	Ä5449	09.12.2014	B.S.	dwg no: 16K1A3544		
				a	Original			DIN-A3 sh: 1			
				rev.	description	date	name	part no: 16-002190			

