

Powerful 19,1 Inch WebPanel with Android 10.0, Linux 4.4



- 15,6" brilliant TFT-LCD graphic display, 1440 x 900 pixels
- fast image acquisition with powerful processor
- Robust aluminium housing, low installation depth
- High protection class IP65, flush-framed design
- Always connected: Integrated WiFi and Bluetooth

Description

This WebPanel series is based on a powerful RK3288 quad-core Cortex-A17 processor.

The WebPanels are available in display sizes from 7" to 23.8" and are optionally equipped with projected capacitive touch or without touch. The projected capacitive touch enables multi-touch operation.

The housings are IP65 rated at the front and have a very compact and robust design due to the aluminium housing. Due to their low installation depth, the WebPanels can be used almost anywhere.

The WebPanel is available with Android 10.0 operating system, preinstalled AutomationBrowser or with LINUX 4.4 and is therefore ideally suited for the installation of own web applications or the connection to most of all industrial devices. The integrated WiFi and Bluetooth interfaces enable the most diverse uses.

Product details

Power supply:	12 VDC to 36 VDC
Power consumption:	Power consumption: max. 21,6 W
Display:	19,1" TFT-LCD
Resolution:	1440 x 900 pixels
Aspect ratio:	16:10
Brightness:	300 cd/m ²
Display colours:	16,7 Million
View angle:	H: 80° / V: 80°
Touchscreen:	projected capacitive touch screen or without touch
Processor:	RK3288-Quad-Core Cortex-A17 up to 1.8GHz
RAM:	4 GB DDR3 RAM
Storage:	Onboard 32 GB eMMC NAND Flash
I/O ports:	USB: 2x USB 2.0 Host type A USB-Mini: : for re-flash/upgrading firmware Serial: 1x COM1 RS232 Ethernet: 1x 10/100/1000 BaseT(X), RJ45 Display: 1x HDMI-output Audio output: 3,5 mm WLAN: 1x 802.11a/b/g/n Bluetooth: 1x Bluetooth 4.0
Housing:	Robust aluminium case
Mounting:	VESA 100 x 100 and/or 75 x 75 Panel mount
Protection class:	IP65 from the front
Weight:	approx. 5,6 kg

Dimensions (WxHxD):	486 mm x 332 mm x 60,3 mm
Environmental conditions:	Operation: -10 °C to +60 °C Storage: -40 °C to +85 °C 5 % to 80 % rFn at 40 °C, non condensing
Certificates:	CE FCC Class A CCC
Operating systems:	Android 10.0 or Linux 4.4 or AutomationBrowser (preinstalled)
Packing list:	1 x Web Panel 1 x Embedded bracket
Manufacturer:	Wachendorff Prozesstechnik

Order-No. Product

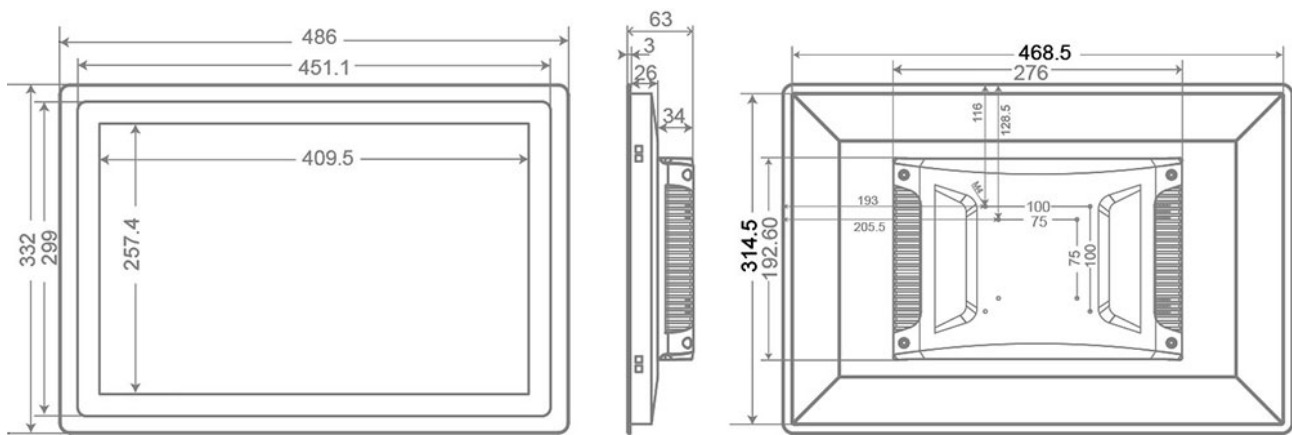
JWS191-L200-3288432KY	19,1" Web Panel, without Touch, Linux 4.4
JWS191-L210-3288432KY	19,1" Web Panel, with Touch, Linux 4.4
JWS191-A200-3288432KY	19,1" Web Panel, without Touch, Autom. Browser
JWS191-A210-3288432KY	19,1" Web Panel, with Touch, Android 10.0
JWS191-A200-3288432KY-A	19,1" Web Panel, without Touch, Autom. Browser
JWS191-A210-3288432KY-A	19,1" Web Panel, with Touch, Autom. Browser

Order-No. Accessories

ETHSWG8C1	8-port Ethernet Switch, Gigabit, unmanaged
360.017.000.012	Power cord for ext. power supply
BZ.36.010.2000022	External power supply, 230 VAC to 12 VDC

Drawings

Dimensions (mm) and STL-Data/Viewer:





Wachendorff Prozesstechnik GmbH & Co. KG
Industriestrasse 7 • 65366 Geisenheim
Germany

Tel: +49 (0) 67 22 / 99 65 - 20
Fax: +49 (0) 67 22 / 99 65 - 78
E-Mail: wp@wachendorff.de
www.wachendorff-prozesstechnik.de

