

# CLIFF

## RIGHT ANGLE METAL XLR PLUGS



**Part Nos:**  
**FC60953N** - 3 Pin Female XLR plug  
**FC60963N** - 3 Pin Male XLR plug



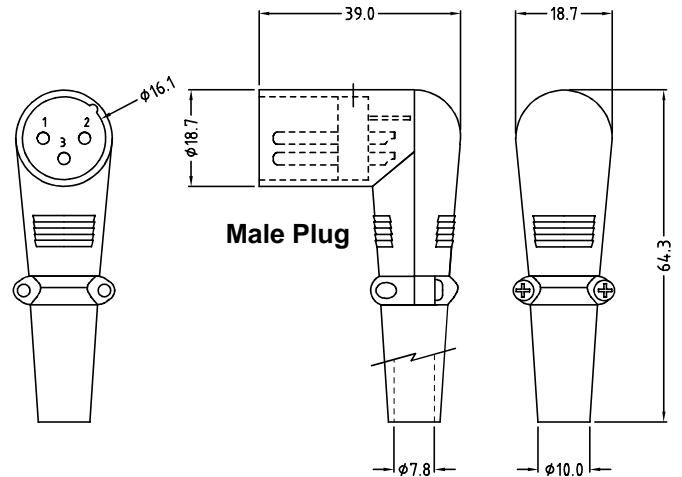
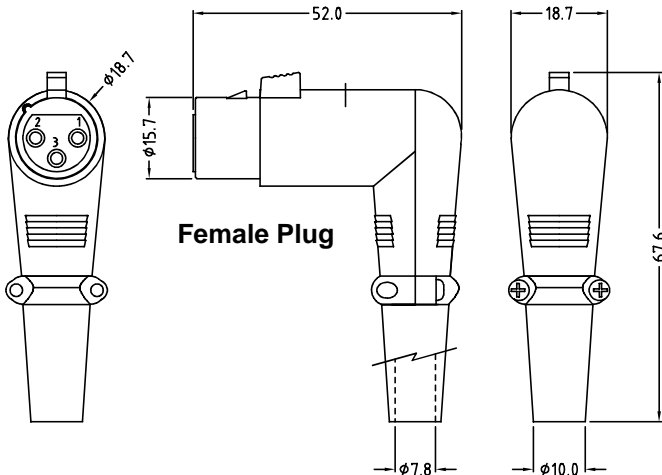
**Part Nos:**  
**FC60954N** - 4 Pin Female XLR plug  
**FC60964N** - 4 Pin Male XLR plug



**Part Nos:**  
**FC60955N** - 5 Pin Female XLR plug  
**FC60965N** - 5 Pin Male XLR plug



**Part Nos:**  
**FC60957N** - 7 Pin Female XLR plug  
**FC60967N** - 7 Pin Male XLR plug



### Specification

Contact Resistance:  $\leq 5\text{m}\Omega$   
 Insulation Resistance:  $\geq 5000\text{M}\Omega$   
 Withstand Voltage: 1400V  
 Durability (Mating / Unmating):  $\geq 2000$   
 Insertion and Extraction Force: 10-80N