

GN 927 | Cam clamping levers

Zinc alloy



- 1
- 2
- 3
- 4
- 5
- 6
- 7
- 8
- 9
- 10
- 11
- 12
- 13
- 14
- 15
- 16
- 17
- 18

LEVER BODY

Die-cast zinc alloy, epoxy resin coating, RAL 9005 black colour matte finish.

ROTATING PIN

Zinc-plated steel.

CLAMPING ELEMENT

Zinc-plated steel with threaded hole or threaded screw.

STANDARD EXECUTIONS

- **GN 927-A-B**: positioning with zinc-plated, threaded adjustment wing nut, with zinc-plated support bushing with glass fibre reinforced acetal-based technopolymer (POM) contact insert.
- **GN 927-B-B**: positioning without adjustment wing nut, with support bushing in glass-fibre reinforced polyamide based (PA) technopolymer.

FEATURES AND APPLICATIONS

GN 927 clamping levers are particularly suitable for quick clamping. The GN 927-A-B version with adjustment wing nut provides quick and efficient tightening. In fact, the adjustment wing nut at the base enables adjustment of the tightening force used and simultaneous locking of the lever in the position required.

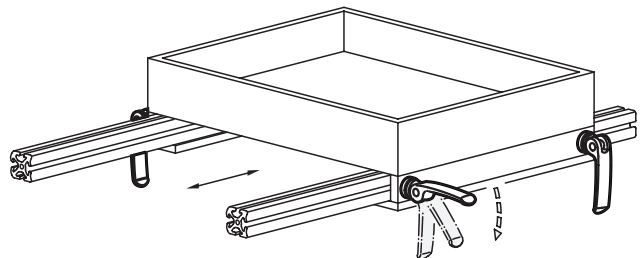
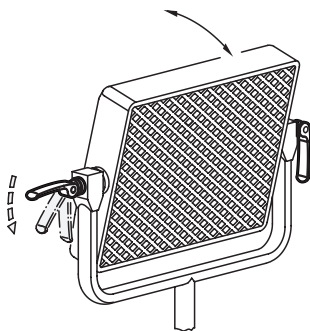
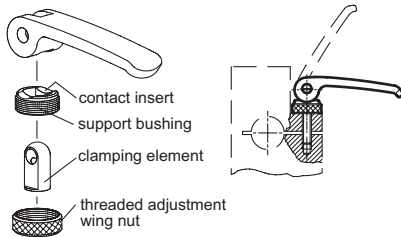
This type of lever allows you to reach clamping forces up to 8 kN.

SPECIAL EXECUTIONS ON REQUEST

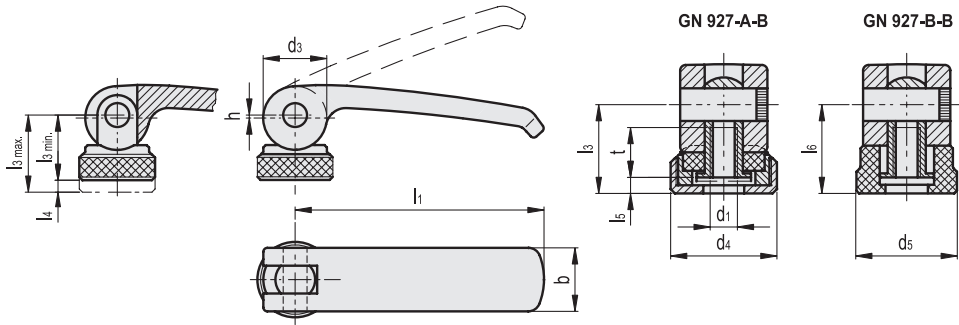
Lever body in RAL 2004 orange, RAL 3000 red or RAL 9006 grey colour.



Way of clamping

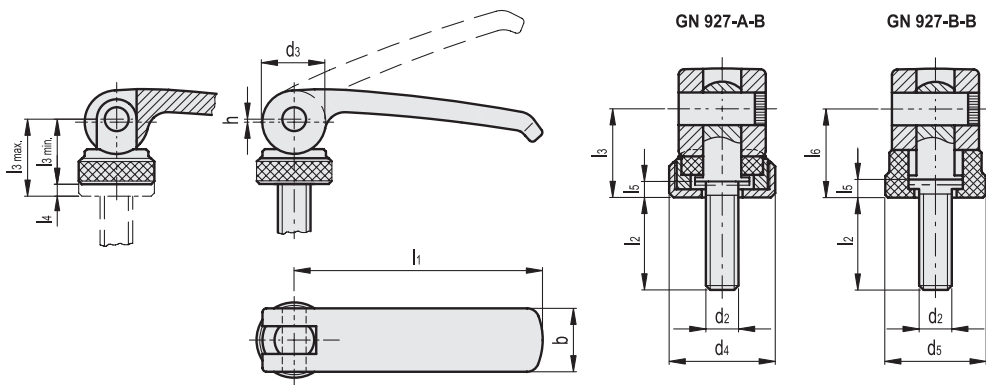


Clamping handles



GN 927 (d1)

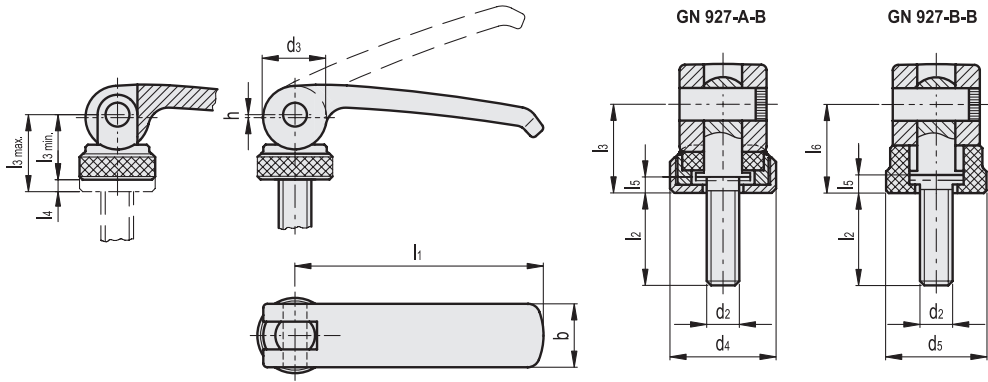
| Code | Description | l1 | d1 | l3 min | l3 max | l4 | l5 | l6 | h | d3 | d4 | d5 | t | b | ⚖ |
|----------|--------------------|-----|-----|--------|--------|-----|-----|------|------|----|----|------|----|----|-----|
| GN.35601 | GN 927-44-M4-A-B | 44 | M4 | 13.2 | 15.2 | 2 | 2.2 | - | 0.5 | 12 | 15 | - | 8 | 12 | 27 |
| GN.35621 | GN 927-44-M5-A-B | 44 | M5 | 13.2 | 15.2 | 2 | 2.2 | - | 0.5 | 12 | 15 | - | 8 | 12 | 27 |
| GN.35602 | GN 927-44-M4-B-B | 44 | M4 | - | - | 2 | 2.2 | 15.2 | 0.5 | 12 | - | 14 | 10 | 16 | 24 |
| GN.35622 | GN 927-44-M5-B-B | 44 | M5 | - | - | 2 | 2.2 | 15.2 | 0.5 | 12 | - | 14 | 10 | 16 | 24 |
| GN.31933 | GN 927-63-M5-A-B | 63 | M5 | 16.3 | 18.8 | 2.5 | 3 | - | 0.75 | 16 | 19 | - | 10 | 16 | 56 |
| GN.31931 | GN 927-63-M6-A-B | 63 | M6 | 16.3 | 18.8 | 2.5 | 3 | - | 0.75 | 16 | 19 | - | 10 | 16 | 57 |
| GN.31934 | GN 927-63-M5-B-B | 63 | M5 | - | - | 2.5 | 3 | 16.3 | 0.75 | 16 | - | 18.5 | 10 | 16 | 56 |
| GN.31932 | GN 927-63-M6-B-B | 63 | M6 | - | - | 2.5 | 3 | 16.3 | 0.75 | 16 | - | 18.5 | 10 | 16 | 60 |
| GN.31948 | GN 927-82-M6-A-B | 82 | M6 | 19.5 | 22.5 | 3 | 3.7 | - | 1 | 20 | 25 | - | 12 | 20 | 60 |
| GN.31951 | GN 927-82-M8-A-B | 82 | M8 | 19.5 | 22.5 | 3 | 3.7 | - | 1 | 20 | 25 | - | 12 | 20 | 111 |
| GN.31949 | GN 927-82-M6-B-B | 82 | M6 | - | - | 3 | 3.7 | 19.5 | 1 | 20 | - | 22.5 | 12 | 20 | 56 |
| GN.31952 | GN 927-82-M8-B-B | 82 | M8 | - | - | 3 | 3.7 | 19.5 | 1 | 20 | - | 22.5 | 12 | 20 | 98 |
| GN.31898 | GN 927-101-M8-A-B | 101 | M8 | 25.3 | 29.3 | 4 | 4.8 | - | 1.5 | 26 | 30 | - | 15 | 25 | 218 |
| GN.31901 | GN 927-101-M10-A-B | 101 | M10 | 25.3 | 29.3 | 4 | 4.8 | - | 1.5 | 26 | 30 | - | 15 | 25 | 210 |
| GN.31899 | GN 927-101-M8-B-B | 101 | M8 | - | - | 4 | 4.8 | 25.3 | 1.5 | 26 | - | 27 | 15 | 25 | 200 |
| GN.31902 | GN 927-101-M10-B-B | 101 | M10 | - | - | 4 | 4.8 | 25.3 | 1.5 | 26 | - | 27 | 15 | 25 | 200 |



GN 927 (d2 - l2)

| Code | Description | l1 | d2 | l2 | l3 min | l3 max | l4 | l5 | l6 | h | d3 | d4 | d5 | b | ⚖ |
|----------|---------------------|----|----|----|--------|--------|----|-----|----|-----|----|----|----|----|----|
| GN.35606 | GN 927-44-M4-12-A-B | 44 | M4 | 12 | 13.2 | 15.2 | 2 | 2.2 | - | 0.5 | 12 | 15 | - | 12 | 27 |
| GN.35608 | GN 927-44-M4-16-A-B | 44 | M4 | 16 | 13.2 | 15.2 | 2 | 2.2 | - | 0.5 | 12 | 15 | - | 12 | 29 |
| GN.35610 | GN 927-44-M4-20-A-B | 44 | M4 | 20 | 13.2 | 15.2 | 2 | 2.2 | - | 0.5 | 12 | 15 | - | 12 | 29 |
| GN.35612 | GN 927-44-M4-25-A-B | 44 | M4 | 25 | 13.2 | 15.2 | 2 | 2.2 | - | 0.5 | 12 | 15 | - | 12 | 29 |
| GN.35614 | GN 927-44-M4-30-A-B | 44 | M4 | 30 | 13.2 | 15.2 | 2 | 2.2 | - | 0.5 | 12 | 15 | - | 12 | 30 |
| GN.35626 | GN 927-44-M5-12-A-B | 44 | M5 | 12 | 13.2 | 15.2 | 2 | 2.2 | - | 0.5 | 12 | 15 | - | 12 | 29 |
| GN.35628 | GN 927-44-M5-16-A-B | 44 | M5 | 16 | 13.2 | 15.2 | 2 | 2.2 | - | 0.5 | 12 | 15 | - | 12 | 29 |
| GN.35630 | GN 927-44-M5-20-A-B | 44 | M5 | 20 | 13.2 | 15.2 | 2 | 2.2 | - | 0.5 | 12 | 15 | - | 12 | 30 |
| GN.35632 | GN 927-44-M5-25-A-B | 44 | M5 | 25 | 13.2 | 15.2 | 2 | 2.2 | - | 0.5 | 12 | 15 | - | 12 | 31 |
| GN.35634 | GN 927-44-M5-30-A-B | 44 | M5 | 30 | 13.2 | 15.2 | 2 | 2.2 | - | 0.5 | 12 | 15 | - | 12 | 31 |
| GN.35636 | GN 927-44-M5-35-A-B | 44 | M5 | 35 | 13.2 | 15.2 | 2 | 2.2 | - | 0.5 | 12 | 15 | - | 12 | 32 |
| GN.35638 | GN 927-44-M5-40-A-B | 44 | M5 | 40 | 13.2 | 15.2 | 2 | 2.2 | - | 0.5 | 12 | 15 | - | 12 | 32 |





GN 927 (d2 - l2)

| Code | Description | l1 | d2 | l2 | l3 min | l3 max | l4 | l5 | l6 | h | d3 | d4 | d5 | b | △ |
|----------|---------------------|----|----|----|--------|--------|-----|-----|------|------|----|----|------|----|----|
| GN.35607 | GN 927-44-M4-12-B-B | 44 | M4 | 12 | - | - | 2 | 2.2 | 15.2 | 0.5 | 12 | - | 14 | 12 | 24 |
| GN.35609 | GN 927-44-M4-16-B-B | 44 | M4 | 16 | - | - | 2 | 2.2 | 15.2 | 0.5 | 12 | - | 14 | 12 | 26 |
| GN.35611 | GN 927-44-M4-20-B-B | 44 | M4 | 20 | - | - | 2 | 2.2 | 15.2 | 0.5 | 12 | - | 14 | 12 | 26 |
| GN.35613 | GN 927-44-M4-25-B-B | 44 | M4 | 25 | - | - | 2 | 2.2 | 15.2 | 0.5 | 12 | - | 14 | 12 | 26 |
| GN.35615 | GN 927-44-M4-30-B-B | 44 | M4 | 30 | - | - | 2 | 2.2 | 15.2 | 0.5 | 12 | - | 14 | 12 | 27 |
| GN.35627 | GN 927-44-M5-12-B-B | 44 | M5 | 12 | - | - | 2 | 2.2 | 15.2 | 0.5 | 12 | - | 14 | 12 | 26 |
| GN.35629 | GN 927-44-M5-16-B-B | 44 | M5 | 16 | - | - | 2 | 2.2 | 15.2 | 0.5 | 12 | - | 14 | 12 | 26 |
| GN.35631 | GN 927-44-M5-20-B-B | 44 | M5 | 20 | - | - | 2 | 2.2 | 15.2 | 0.5 | 12 | - | 14 | 12 | 27 |
| GN.35633 | GN 927-44-M5-25-B-B | 44 | M5 | 25 | - | - | 2 | 2.2 | 15.2 | 0.5 | 12 | - | 14 | 12 | 27 |
| GN.35635 | GN 927-44-M5-30-B-B | 44 | M5 | 30 | - | - | 2 | 2.2 | 15.2 | 0.5 | 12 | - | 14 | 12 | 28 |
| GN.35637 | GN 927-44-M5-35-B-B | 44 | M5 | 35 | - | - | 2 | 2.2 | 15.2 | 0.5 | 12 | - | 14 | 12 | 29 |
| GN.35639 | GN 927-44-M5-40-B-B | 44 | M5 | 40 | - | - | 2 | 2.2 | 15.2 | 0.5 | 12 | - | 14 | 12 | 29 |
| GN.35651 | GN 927-63-M5-16-A-B | 63 | M5 | 16 | 16.3 | 18.8 | 2.5 | 3 | - | 0.75 | 16 | 19 | - | 16 | 60 |
| GN.31935 | GN 927-63-M5-20-A-B | 63 | M5 | 20 | 16.3 | 18.8 | 2.5 | 3 | - | 0.75 | 16 | 19 | - | 16 | 61 |
| GN.31936 | GN 927-63-M5-25-A-B | 63 | M5 | 25 | 16.3 | 18.8 | 2.5 | 3 | - | 0.75 | 16 | 19 | - | 16 | 56 |
| GN.31937 | GN 927-63-M5-30-A-B | 63 | M5 | 30 | 16.3 | 18.8 | 2.5 | 3 | - | 0.75 | 16 | 19 | - | 16 | 63 |
| GN.31938 | GN 927-63-M5-35-A-B | 63 | M5 | 35 | 16.3 | 18.8 | 2.5 | 3 | - | 0.75 | 16 | 19 | - | 16 | 65 |
| GN.31939 | GN 927-63-M5-40-A-B | 63 | M5 | 40 | 16.3 | 18.8 | 2.5 | 3 | - | 0.75 | 16 | 19 | - | 16 | 56 |
| GN.31939 | GN 927-63-M5-40-A-B | 63 | M5 | 40 | 16.3 | 18.8 | 2.5 | 3 | - | 0.75 | 16 | 19 | - | 16 | 56 |
| GN.31940 | GN 927-63-M5-50-A-B | 63 | M5 | 50 | 16.3 | 18.8 | 2.5 | 3 | - | 0.75 | 16 | 19 | - | 16 | 56 |
| GN.35655 | GN 927-63-M6-16-A-B | 63 | M6 | 16 | 16.3 | 18.8 | 2.5 | 3 | - | 0.75 | 16 | 19 | - | 16 | 60 |
| GN.31941 | GN 927-63-M6-20-A-B | 63 | M6 | 20 | 16.3 | 18.8 | 2.5 | 3 | - | 0.75 | 16 | 19 | - | 16 | 59 |
| GN.31943 | GN 927-63-M6-25-A-B | 63 | M6 | 25 | 16.3 | 18.8 | 2.5 | 3 | - | 0.75 | 16 | 19 | - | 16 | 60 |
| GN.31944 | GN 927-63-M6-30-A-B | 63 | M6 | 30 | 16.3 | 18.8 | 2.5 | 3 | - | 0.75 | 16 | 19 | - | 16 | 61 |
| GN.31945 | GN 927-63-M6-35-A-B | 63 | M6 | 35 | 16.3 | 18.8 | 2.5 | 3 | - | 0.75 | 16 | 19 | - | 16 | 62 |
| GN.31942 | GN 927-63-M6-40-A-B | 63 | M6 | 40 | 16.3 | 18.8 | 2.5 | 3 | - | 0.75 | 16 | 19 | - | 16 | 66 |
| GN.31946 | GN 927-63-M6-50-A-B | 63 | M6 | 50 | 16.3 | 18.8 | 2.5 | 3 | - | 0.75 | 16 | 19 | - | 16 | 68 |
| GN.35653 | GN 927-63-M5-16-B-B | 63 | M5 | 16 | - | - | 2.5 | 3 | 16.3 | 0.75 | 16 | - | 18.5 | 16 | 56 |
| GN.31967 | GN 927-63-M5-20-B-B | 63 | M5 | 20 | - | - | 2.5 | 3 | 16.3 | 0.75 | 16 | - | 18.5 | 16 | 56 |
| GN.31968 | GN 927-63-M5-25-B-B | 63 | M5 | 25 | - | - | 2.5 | 3 | 16.3 | 0.75 | 16 | - | 18.5 | 16 | 56 |
| GN.31969 | GN 927-63-M5-30-B-B | 63 | M5 | 30 | - | - | 2.5 | 3 | 16.3 | 0.75 | 16 | - | 18.5 | 16 | 60 |
| GN.31970 | GN 927-63-M5-35-B-B | 63 | M5 | 35 | - | - | 2.5 | 3 | 16.3 | 0.75 | 16 | - | 18.5 | 16 | 56 |
| GN.31977 | GN 927-63-M5-40-B-B | 63 | M5 | 40 | - | - | 2.5 | 3 | 16.3 | 0.75 | 16 | - | 18.5 | 16 | 63 |
| GN.31978 | GN 927-63-M5-50-B-B | 63 | M5 | 50 | - | - | 2.5 | 3 | 16.3 | 0.75 | 16 | - | 18.5 | 16 | 65 |
| GN.35657 | GN 927-63-M6-16-B-B | 63 | M6 | 16 | - | - | 2.5 | 3 | 16.3 | 0.75 | 16 | - | 18.5 | 16 | 56 |
| GN.31971 | GN 927-63-M6-20-B-B | 63 | M6 | 20 | - | - | 2.5 | 3 | 16.3 | 0.75 | 16 | - | 18.5 | 16 | 53 |
| GN.31972 | GN 927-63-M6-25-B-B | 63 | M6 | 25 | - | - | 2.5 | 3 | 16.3 | 0.75 | 16 | - | 18.5 | 16 | 63 |
| GN.31973 | GN 927-63-M6-30-B-B | 63 | M6 | 30 | - | - | 2.5 | 3 | 16.3 | 0.75 | 16 | - | 18.5 | 16 | 55 |
| GN.31974 | GN 927-63-M6-35-B-B | 63 | M6 | 35 | - | - | 2.5 | 3 | 16.3 | 0.75 | 16 | - | 18.5 | 16 | 65 |
| GN.31975 | GN 927-63-M6-40-B-B | 63 | M6 | 40 | - | - | 2.5 | 3 | 16.3 | 0.75 | 16 | - | 18.5 | 16 | 66 |
| GN.31976 | GN 927-63-M6-50-B-B | 63 | M6 | 50 | - | - | 2.5 | 3 | 16.3 | 0.75 | 16 | - | 18.5 | 16 | 68 |

Clamping handles

GN 927 (d2 - I2)

| Code | Description | I1 | d2 | I2 | I3 min | I3 max | I4 | I5 | I6 | h | d3 | d4 | d5 | b | ⚖️ |
|----------|-----------------------|-----|-----|----|--------|--------|----|-----|------|-----|----|----|------|----|-----|
| GN.35661 | GN 927-82-M6-20-A-B | 82 | M6 | 20 | 19.5 | 22.5 | 3 | 3.7 | - | 1 | 20 | 25 | - | 20 | 120 |
| GN.31953 | GN 927-82-M6-25-A-B | 82 | M6 | 25 | 19.5 | 22.5 | 3 | 3.7 | - | 1 | 20 | 25 | - | 20 | 120 |
| GN.31954 | GN 927-82-M6-30-A-B | 82 | M6 | 30 | 19.5 | 22.5 | 3 | 3.7 | - | 1 | 20 | 25 | - | 20 | 120 |
| GN.31955 | GN 927-82-M6-35-A-B | 82 | M6 | 35 | 19.5 | 22.5 | 3 | 3.7 | - | 1 | 20 | 25 | - | 20 | 120 |
| GN.31956 | GN 927-82-M6-40-A-B | 82 | M6 | 40 | 19.5 | 22.5 | 3 | 3.7 | - | 1 | 20 | 25 | - | 20 | 120 |
| GN.31957 | GN 927-82-M6-50-A-B | 82 | M6 | 50 | 19.5 | 22.5 | 3 | 3.7 | - | 1 | 20 | 25 | - | 20 | 122 |
| GN.31958 | GN 927-82-M6-60-A-B | 82 | M6 | 60 | 19.5 | 22.5 | 3 | 3.7 | - | 1 | 20 | 25 | - | 20 | 122 |
| GN.35665 | GN 927-82-M8-20-A-B | 82 | M8 | 20 | 19.5 | 22.5 | 3 | 3.7 | - | 1 | 20 | 25 | - | 20 | 111 |
| GN.31961 | GN 927-82-M8-25-A-B | 82 | M8 | 25 | 19.5 | 22.5 | 3 | 3.7 | - | 1 | 20 | 25 | - | 20 | 123 |
| GN.31963 | GN 927-82-M8-30-A-B | 82 | M8 | 30 | 19.5 | 22.5 | 3 | 3.7 | - | 1 | 20 | 25 | - | 20 | 124 |
| GN.31964 | GN 927-82-M8-35-A-B | 82 | M8 | 35 | 19.5 | 22.5 | 3 | 3.7 | - | 1 | 20 | 25 | - | 20 | 125 |
| GN.31965 | GN 927-82-M8-40-A-B | 82 | M8 | 40 | 19.5 | 22.5 | 3 | 3.7 | - | 1 | 20 | 25 | - | 20 | 128 |
| GN.31962 | GN 927-82-M8-50-A-B | 82 | M8 | 50 | 19.5 | 22.5 | 3 | 3.7 | - | 1 | 20 | 25 | - | 20 | 131 |
| GN.31966 | GN 927-82-M8-60-A-B | 82 | M8 | 60 | 19.5 | 22.5 | 3 | 3.7 | - | 1 | 20 | 25 | - | 20 | 134 |
| GN.35663 | GN 927-82-M6-20-B-B | 82 | M6 | 20 | - | - | 3 | 3.7 | 19.5 | 1 | 20 | - | 22.5 | 20 | 122 |
| GN.31987 | GN 927-82-M6-25-B-B | 82 | M6 | 25 | - | - | 3 | 3.7 | 19.5 | 1 | 20 | - | 22.5 | 20 | 120 |
| GN.31988 | GN 927-82-M6-30-B-B | 82 | M6 | 30 | - | - | 3 | 3.7 | 19.5 | 1 | 20 | - | 22.5 | 20 | 120 |
| GN.31989 | GN 927-82-M6-35-B-B | 82 | M6 | 35 | - | - | 3 | 3.7 | 19.5 | 1 | 20 | - | 22.5 | 20 | 125 |
| GN.31990 | GN 927-82-M6-40-B-B | 82 | M6 | 40 | - | - | 3 | 3.7 | 19.5 | 1 | 20 | - | 22.5 | 20 | 120 |
| GN.31991 | GN 927-82-M6-50-B-B | 82 | M6 | 50 | - | - | 3 | 3.7 | 19.5 | 1 | 20 | - | 22.5 | 20 | 122 |
| GN.31992 | GN 927-82-M6-60-B-B | 82 | M6 | 60 | - | - | 3 | 3.7 | 19.5 | 1 | 20 | - | 22.5 | 20 | 122 |
| GN.35667 | GN 927-82-M8-20-B-B | 82 | M8 | 20 | - | - | 3 | 3.7 | 19.5 | 1 | 20 | - | 22.5 | 20 | 122 |
| GN.31981 | GN 927-82-M8-25-B-B | 82 | M8 | 25 | - | - | 3 | 3.7 | 19.5 | 1 | 20 | - | 22.5 | 20 | 123 |
| GN.31982 | GN 927-82-M8-30-B-B | 82 | M8 | 30 | - | - | 3 | 3.7 | 19.5 | 1 | 20 | - | 22.5 | 20 | 124 |
| GN.31983 | GN 927-82-M8-35-B-B | 82 | M8 | 35 | - | - | 3 | 3.7 | 19.5 | 1 | 20 | - | 22.5 | 20 | 125 |
| GN.31984 | GN 927-82-M8-40-B-B | 82 | M8 | 40 | - | - | 3 | 3.7 | 19.5 | 1 | 20 | - | 22.5 | 20 | 128 |
| GN.31985 | GN 927-82-M8-50-B-B | 82 | M8 | 50 | - | - | 3 | 3.7 | 19.5 | 1 | 20 | - | 22.5 | 20 | 131 |
| GN.31986 | GN 927-82-M8-60-B-B | 82 | M8 | 60 | - | - | 3 | 3.7 | 19.5 | 1 | 20 | - | 22.5 | 20 | 134 |
| GN.31903 | GN 927-101-M8-20-A-B | 101 | M8 | 20 | 25.3 | 29.3 | 4 | 4.8 | - | 1.5 | 26 | 30 | - | 25 | 224 |
| GN.35671 | GN 927-101-M8-25-A-B | 101 | M8 | 25 | 25.3 | 29.3 | 4 | 4.8 | - | 1.5 | 26 | 30 | - | 25 | 227 |
| GN.31905 | GN 927-101-M8-30-A-B | 101 | M8 | 30 | 25.3 | 29.3 | 4 | 4.8 | - | 1.5 | 26 | 30 | - | 25 | 227 |
| GN.35675 | GN 927-101-M8-35-A-B | 101 | M8 | 35 | 25.3 | 29.3 | 4 | 4.8 | - | 1.5 | 26 | 30 | - | 25 | 228 |
| GN.31907 | GN 927-101-M8-40-A-B | 101 | M8 | 40 | 25.3 | 29.3 | 4 | 4.8 | - | 1.5 | 26 | 30 | - | 25 | 232 |
| GN.31909 | GN 927-101-M8-50-A-B | 101 | M8 | 50 | 25.3 | 29.3 | 4 | 4.8 | - | 1.5 | 26 | 30 | - | 25 | 233 |
| GN.31921 | GN 927-101-M8-60-A-B | 101 | M8 | 60 | 25.3 | 29.3 | 4 | 4.8 | - | 1.5 | 26 | 30 | - | 25 | 237 |
| GN.31911 | GN 927-101-M10-20-A-B | 101 | M10 | 20 | 25.3 | 29.3 | 4 | 4.8 | - | 1.5 | 26 | 30 | - | 25 | 230 |
| GN.35679 | GN 927-101-M10-25-A-B | 101 | M10 | 25 | 25.3 | 29.3 | 4 | 4.8 | - | 1.5 | 26 | 30 | - | 25 | 231 |
| GN.31913 | GN 927-101-M10-30-A-B | 101 | M10 | 30 | 25.3 | 29.3 | 4 | 4.8 | - | 1.5 | 26 | 30 | - | 25 | 234 |
| GN.35683 | GN 927-101-M10-35-A-B | 101 | M10 | 35 | 25.3 | 29.3 | 4 | 4.8 | - | 1.5 | 26 | 30 | - | 25 | 237 |
| GN.31915 | GN 927-101-M10-40-A-B | 101 | M10 | 40 | 25.3 | 29.3 | 4 | 4.8 | - | 1.5 | 26 | 30 | - | 25 | 238 |
| GN.31917 | GN 927-101-M10-50-A-B | 101 | M10 | 50 | 25.3 | 29.3 | 4 | 4.8 | - | 1.5 | 26 | 30 | - | 25 | 242 |
| GN.31919 | GN 927-101-M10-60-A-B | 101 | M10 | 60 | 25.3 | 29.3 | 4 | 4.8 | - | 1.5 | 26 | 30 | - | 25 | 250 |
| GN.31904 | GN 927-101-M8-20-B-B | 101 | M8 | 20 | - | - | 4 | 4.8 | 25.3 | 1.5 | 26 | - | 27 | 25 | 224 |
| GN.35673 | GN 927-101-M8-25-B-B | 101 | M8 | 25 | - | - | 4 | 4.8 | 25.3 | 1.5 | 26 | - | 27 | 25 | 202 |
| GN.31906 | GN 927-101-M8-30-B-B | 101 | M8 | 30 | - | - | 4 | 4.8 | 25.3 | 1.5 | 26 | - | 27 | 25 | 227 |
| GN.35677 | GN 927-101-M8-35-B-B | 101 | M8 | 35 | - | - | 4 | 4.8 | 25.3 | 1.5 | 26 | - | 27 | 25 | 204 |
| GN.31908 | GN 927-101-M8-40-B-B | 101 | M8 | 40 | - | - | 4 | 4.8 | 25.3 | 1.5 | 26 | - | 27 | 25 | 232 |
| GN.31910 | GN 927-101-M8-50-B-B | 101 | M8 | 50 | - | - | 4 | 4.8 | 25.3 | 1.5 | 26 | - | 27 | 25 | 233 |
| GN.31922 | GN 927-101-M8-60-B-B | 101 | M8 | 60 | - | - | 4 | 4.8 | 25.3 | 1.5 | 26 | - | 27 | 25 | 237 |
| GN.31912 | GN 927-101-M10-20-B-B | 101 | M10 | 20 | - | - | 4 | 4.8 | 25.3 | 1.5 | 26 | - | 27 | 25 | 230 |
| GN.35681 | GN 927-101-M10-25-B-B | 101 | M10 | 25 | - | - | 4 | 4.8 | 25.3 | 1.5 | 26 | - | 27 | 25 | 207 |
| GN.31914 | GN 927-101-M10-30-B-B | 101 | M10 | 30 | - | - | 4 | 4.8 | 25.3 | 1.5 | 26 | - | 27 | 25 | 234 |
| GN.35685 | GN 927-101-M10-35-B-B | 101 | M10 | 35 | - | - | 4 | 4.8 | 25.3 | 1.5 | 26 | - | 27 | 25 | 212 |
| GN.31916 | GN 927-101-M10-40-B-B | 101 | M10 | 40 | - | - | 4 | 4.8 | 25.3 | 1.5 | 26 | - | 27 | 25 | 238 |
| GN.31918 | GN 927-101-M10-50-B-B | 101 | M10 | 50 | - | - | 4 | 4.8 | 25.3 | 1.5 | 26 | - | 27 | 25 | 242 |
| GN.31920 | GN 927-101-M10-60-B-B | 101 | M10 | 60 | - | - | 4 | 4.8 | 25.3 | 1.5 | 26 | - | 27 | 25 | 250 |

