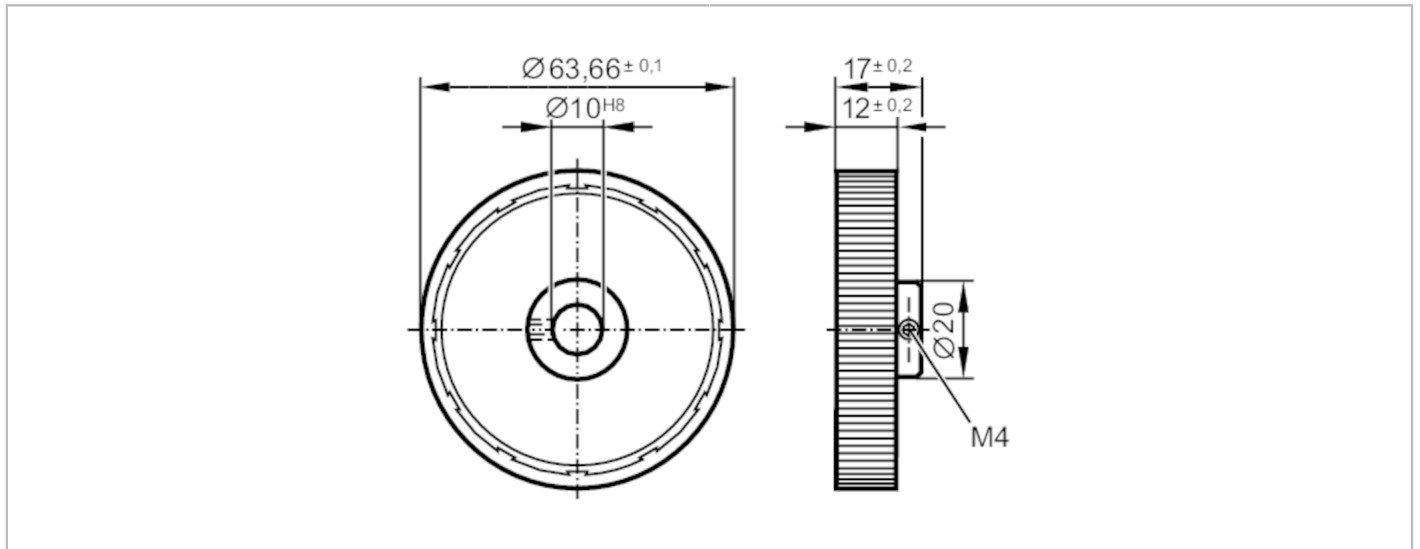


E60138



Measuring wheel

MEASURING WHEEL U:200 N:10



Application	
Design	grooved plastic
Operating conditions	
Ambient temperature [°C]	-30...80
Mechanical data	
Weight [g]	61.3
Inside diameter [mm]	10
External diameter [mm]	63.66
Materials	wheel: aluminium; surface characteristics: PU
Tightening torque [Nm]	1.5; (Mounting screw)
Surface hardness	90 Shore A
Circumference [mm]	200
Remarks	
Pack quantity	1 pcs.