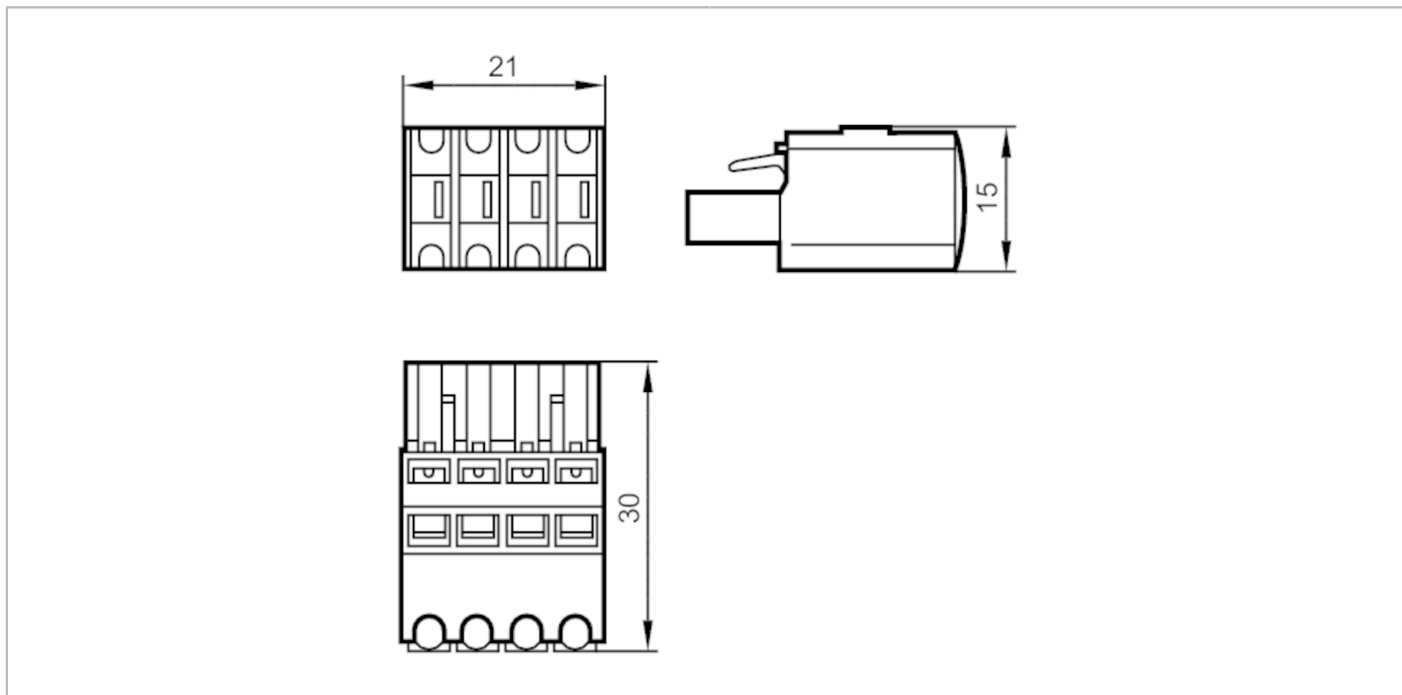


E70236



COMBICON connector

Combicon plug/quantity 6



Electrical data

Contact resistance	[mΩ]	1.5; (1 mm ²)
Max. load current	[A]	10; (1 mm ²)

Mechanical data

Weight	[g]	54.1
Materials	current carrying parts: copper alloy tin-plated	

Remarks

Pack quantity	6 pcs.
---------------	--------