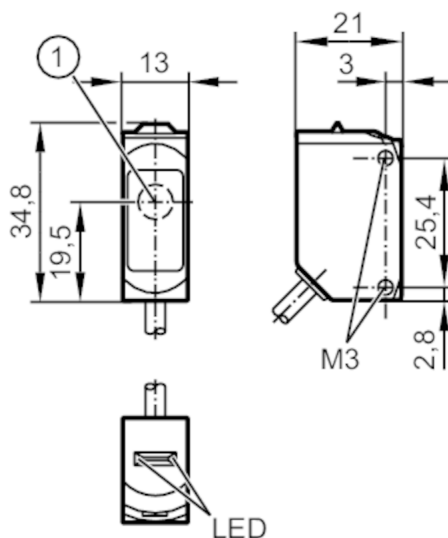


# O6S401



## Through-beam sensor transmitter

O6S-00KG/5M



1: light emission



### Product characteristics

Type of light	red light
Housing	rectangular
Dimensions [mm]	34.8 x 13 x 21

### Application

Function principle	Through-beam sensor
Application	suited for use in the machine tool industry

### Electrical data

Operating voltage [V]	10...30 DC
Current consumption [mA]	11; ((24 V))
Protection class	III
Type of light	red light
Wave length [nm]	633

### Detection zone

Transmitter / receiver	transmitter
Range [m]	< 10
Max. light spot diameter [mm]	300
Light spot dimensions refer to	at maximum range

### Operating conditions

Ambient temperature [°C]	-25...60
Protection	IP 65; IP 67; IP 68

### Tests / approvals

EMC	EN 60947-5-2	
MTTF [years]		2942
UL approval	UL Approval no.	E019

# O6S401

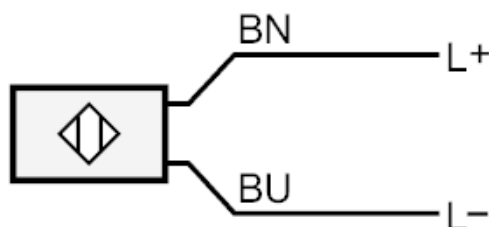


## Through-beam sensor transmitter

O6S-00KG/5M

Mechanical data		
Weight	[g]	128.2
Housing		rectangular
Dimensions	[mm]	34.8 x 13 x 21
Materials		housing: stainless steel (1.4404 / 316L); plastics: PPSU; Sealing: FKM
Lens material		PMMA
Lens alignment		side lens
Displays / operating elements		
Display	operation	1 x LED, green
Remarks		
Remarks		operating voltage "supply class 2" according to cULus
Pack quantity		1 pcs.
Electrical connection		
Cable: 5 m, PUR; 2 x 0.25 mm <sup>2</sup>		

### Connection



Core colours :  
BN = brown  
BU = blue

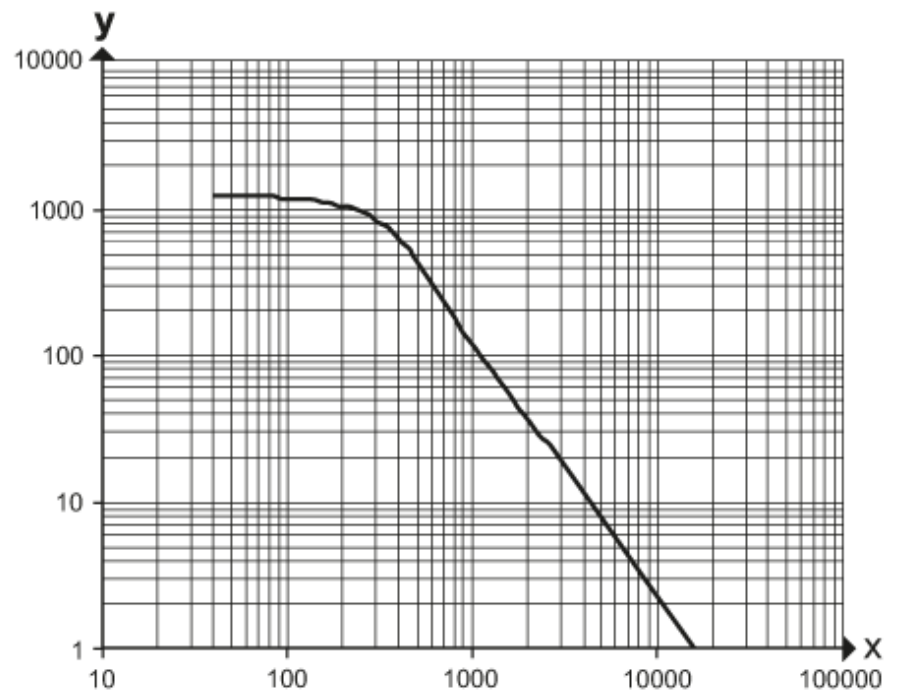


## Through-beam sensor transmitter

O6S-00KG/5M

### Diagrams and graphs

excess gain graph



x: distance [mm]

y: excess gain factor