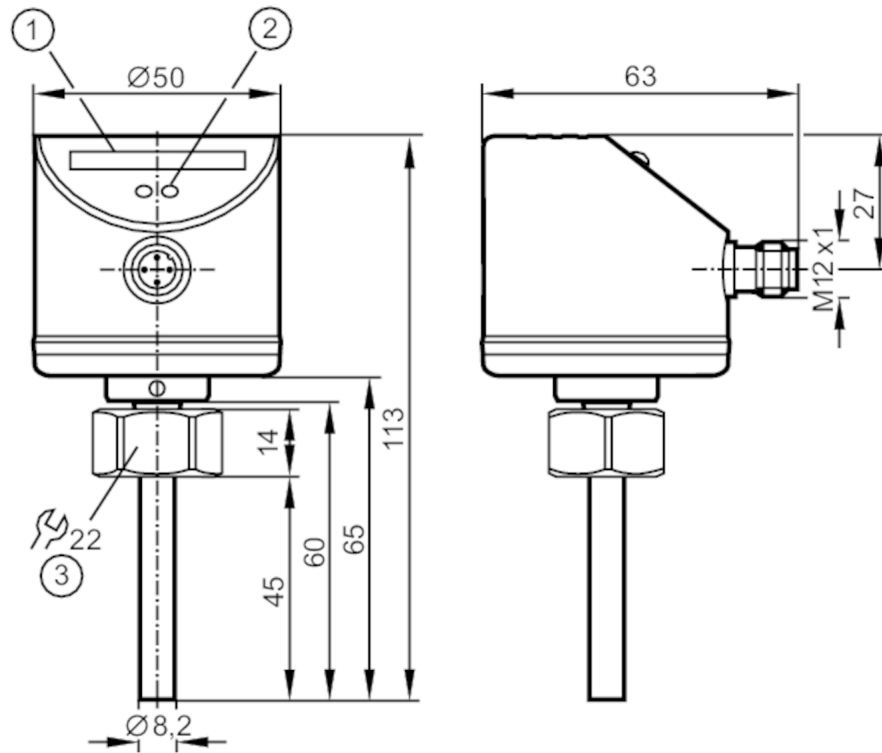


SI5007



Flow monitor

SID10ADBFPKG/US-100



- 1 LED bar display
- 2 setting pushbutton
- 3 Tightening torque 25 Nm



Product characteristics

Number of inputs and outputs	Number of digital outputs: 2
Process connection	M18 x 1,5 internal thread

Application

Media	Liquids; Gases
Medium temperature [°C]	-25...80
Pressure rating [bar]	300

Liquids

Medium temperature [°C]	-25...80
-------------------------	----------

Gases

Medium temperature [°C]	-25...80
-------------------------	----------

Electrical data

Operating voltage [V]	18...36 DC
Current consumption [mA]	< 60
Protection class	III
Reverse polarity protection	yes
Power-on delay time [s]	10



Flow monitor

SID10ADBFPKG/US-100

Inputs / outputs	
Number of inputs and outputs	Number of digital outputs: 2
Outputs	
Total number of outputs	2
Output signal	switching signal; IO-Link; (configurable)
Electrical design	PNP
Number of digital outputs	2
Output function	normally open / normally closed; (parameterisable)
Max. voltage drop switching output DC [V]	2.5
Permanent current rating of switching output DC [mA]	250
Short-circuit protection	yes
Type of short-circuit protection	pulsed
Overload protection	yes
Measuring/setting range	
Probe length L [mm]	45
Liquids	
Setting range [cm/s]	3...300
Greatest sensitivity [cm/s]	3...100
Gases	
Setting range [cm/s]	200...3000
Greatest sensitivity [cm/s]	200...800
Temperature monitoring	
Measuring range [°C]	2...80
Resolution [°C]	1
Accuracy / deviations	
Repeatability [cm/s]	1...5
Note on repeatability	for water 5...100 cm/s; 25 °C Factory setting
Temperature drift [cm/s x 1/K]	0.1; (for water 5...100 cm/s; 10...70 °C)
Temperature gradient [K/min]	300
Switch point accuracy [cm/s]	± 2...± 10; (for water 5...100 cm/s; 25 °C; Factory setting)
Hysteresis [cm/s]	2...5; (for water 5...100 cm/s; 25 °C; Factory setting)
Temperature monitoring	
Switch point accuracy [K]	± 3 (v > 5cm/s); (Liquids)
Resolution [K]	1
Repeatability [K]	2
Response times	
Response time [s]	1...10
Liquids	
Response time [s]	1...10



Flow monitor

SID10ADBFPKG/US-100

Gases		
Response time	[s]	1...10
Temperature monitoring		
Response time	[s]	1...10
Software / programming		
Adjustment of the switch point		pushbutton
Interfaces		
Communication interface		IO-Link
Transmission type		COM2 (38,4 kBaud)
IO-Link revision		1.1
SDCI standard		IEC 61131-9
IO-Link device ID		53 d / 00 00 35 h
Profiles		Smart Sensor: Process Data Variable; Device Identification
SIO mode		yes
Required master port type		A
Process data analogue		2
Process data binary		2
Min. process cycle time	[ms]	3
Operating conditions		
Ambient temperature	[°C]	-25...80
Storage temperature	[°C]	-25...100
Protection		IP 65; IP 67
Tests / approvals		
EMC		DIN EN 60947-5-9
Shock resistance		DIN IEC 60068-2-27
Vibration resistance		DIN EN 60068-2-6
MTTF	[years]	277
		50 g (11 ms)
		20 g (55...2000 Hz)
Mechanical data		
Weight	[g]	254
Dimensions	[mm]	M18 x 1.5
Thread designation		M18 x 1.5
Materials		stainless steel (1.4404 / 316L); stainless steel (1.4310 / 301); PC; PBT-GF20; EPDM/X
Materials (wetted parts)		stainless steel (1.4404 / 316L); O-ring: FKM 80 Shore A
Process connection		M18 x 1,5 internal thread
Displays / operating elements		
Display		function
		10 x LED, three-colour
Remarks		
Pack quantity		1 pcs.
Electrical connection		
Connector: 1 x M12		

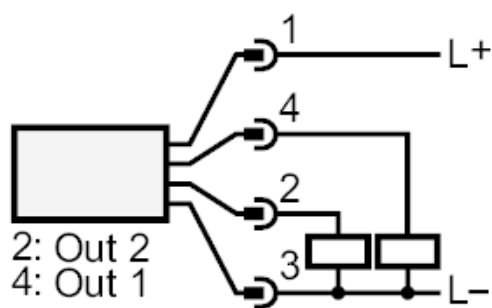
SI5007

Flow monitor

SID10ADBFPKG/US-100



Connection



- Pin 2: OUT 2 = Temperature monitoring
- Pin 4: OUT 1 = Flow monitoring
- Pin 4: IO-Link