

MODLINK MSDD FRAME DBL TRANSPARENT

Closure 3 mm double bit incl. pluggable knob

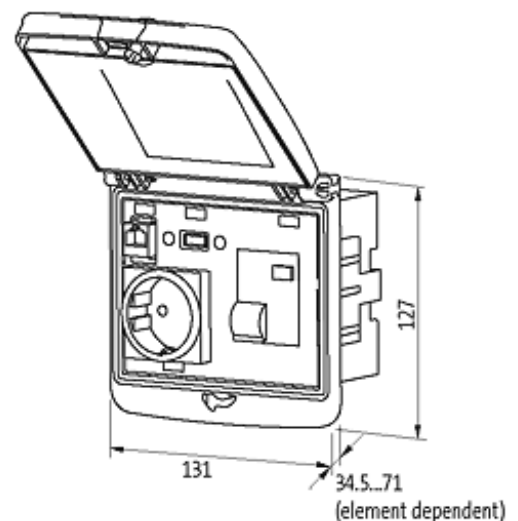
Mounting frame plastic PBT black

Lid: plastic, PC transparent

Closure: 3 mm double bit
with attachable rotation knob

[Link to Product](#)

Illustration



Product may differ from Image

Frame

suitable for mounting with wall thickness 1...5 mm

Protection IP65

Housing	Mounting frame plastic PBT black, cap plastic PC transparent
---------	--

Dimensions H × W × D	91×117×5
----------------------	----------

Temperature range	-30...+70 °C (storage temperature -30...+80 °C)
-------------------	---

General data

Dimensions H × W × D	127×131×32 mm
----------------------	---------------

Commercial data

country of origin	CZ
-------------------	----

customs tariff number	85389099
-----------------------	----------

minimum order quantity	1
------------------------	---