

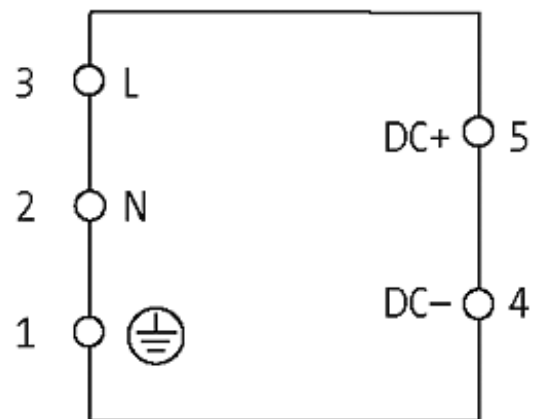
**MCS POWER SUPPLY 1-PHASE,**

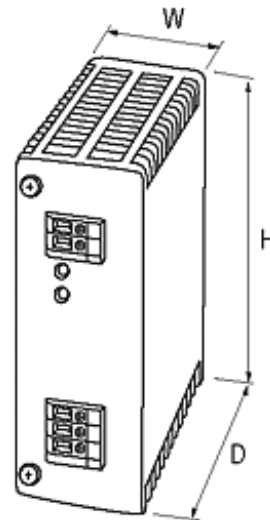
IN: 90-265VAC OUT: 10-15V/5ADC

INPUT: 90...265 V AC

OUTPUT: 12 V DC  $\pm$  1%

Current: 5 A

[Link to Product](#)**Illustration**



Product may differ from Image

### Approvals



### Input

Input voltage	90...265 V AC; 110...300 V DC
Input current	1.1 A (115 V AC); 0.6 A (230 V AC)
Inrush current after 1 ms	max. 28 A
Primary fusing external	max. 10 A
Frequency	50...60 Hz

### General data

Standards	(EN 60950-1), (EN 61204-3), (EN 55022 B), (EN 61000-3-2)
Relative humidity	5...95 %, no condensation
Efficiency	85 %
Mounting method	DIN-rail mountable TH35 (EN 60715)
Dimensions H x W x D	107.5x42x97.5 mm
Temperature range	0...+55 °C (storage temperature -25...+85 °C)

### Output

Output voltage	12 V DC (SELV), $\pm 1$ %; 10...15 V adjustable
Output current	5 A (+55 °C); 6 A (+45 °C)
Mains failure bridging time	min. 10 ms (115 V AC); min. 70 ms (230 V AC)
Ripple	max. 20 mVrms
Spikes	max. 200 mV p-p
Unit protection	short-circuit and overload protected
LED display	LED (green) for output voltage
Parallel usage/serial usage	no/yes (max. 2 units)

**Commercial data**

country of origin	CZ
customs tariff number	85044090
minimum order quantity	1