



LIGHTNING ARRESTER TYPE1, 1-POLE,UC 800V AC FOR 2-WIRE NETWORKS (L,PEN), REMOTE SIGNALING CONTACT NOT FOR DIN-RAIL MOUNTING

Model		
product brand name		SENTRON
Product designation		Surge protection device
Design of the product		Lightning arresters
Type of distribution system		500 / 690 V AC IT system 554 / 960 V AC TN-C system 400 / 690 V AC TN-C system
Design of the switching function		1 CO
Design of the thread		M6
Signal design		Defect signaling contact

General technical data		
Response delay	ns	100
Apparent power consumption / in standby mode	mVA	16
Insulation material		PA / PC
Residual voltage / at (8/20) μs	kV	2.7
SPD classification / acc. to EN 61643-11 / Test Class II, Type 2		No

Voltage		
Fuse protection type / at input for supply voltage		400 A* 125 A gl/gG (*connection with 2x50 mm ² **with feed-through wiring)
Short-circuit rating		for 400gL: 50 kA rms
Residual voltage		
• at 10 kA / at (8/20) μ s	kV	2.5
• at 3 kA / at (8/20) μ s	kV	2.1
• at 5 kA / at (8/20) μ s	kV	2.2

Overvoltage category / acc. to IEC 61010-1		III / V
Supply voltage		
Supply voltage frequency		
• minimum	Hz	50
• maximum	Hz	60
Protection class		
Protection class IP		IP20
Combustibility class acc. to UL 94		V2
Electricity		
Discharge current		
• 1 phase / at (8/20) μ s / maximum	kA	35
Surge voltage resistance / at 6 kV / at (8/20) μs	kV	4.5
Main circuit		
Operating voltage		
• with AC / Rated value	V	690
Product details		
Product component / remote-signaling contact		Yes
Connections		
Connectable conductor cross-section		
• for rigid conductor		
— minimum	mm ²	16
— maximum	mm ²	50
• finely stranded		
— minimum	mm ²	16
— maximum	mm ²	50
Connectable AWG conductor cross-section / as coded AWG spec. / for grounding / finely stranded		
• minimum	mm ²	6
• maximum	mm ²	0
Type of electrical connection		M2 screw thread
Mechanical Design		
Mounting type		Rail-mountable NS 35
Environmental conditions		
Ambient temperature		
• minimum	°C	-40
• maximum	°C	80



Further information

Information- and Downloadcenter (Catalogs, Brochures,...)

<http://www.siemens.com/lowvoltage/catalogs>

Industry Mall (Online ordering system)

<https://eb.automation.siemens.com/mall/en/WW/Catalog/Product/5SD74112>

Service&Support (Manuals, Certificates, Characteristics, FAQs,...)

<http://support.automation.siemens.com/WW/view/en/5SD74112/all>

Image database (product images, 2D dimension drawings, 3D models, device circuit diagrams, ...)

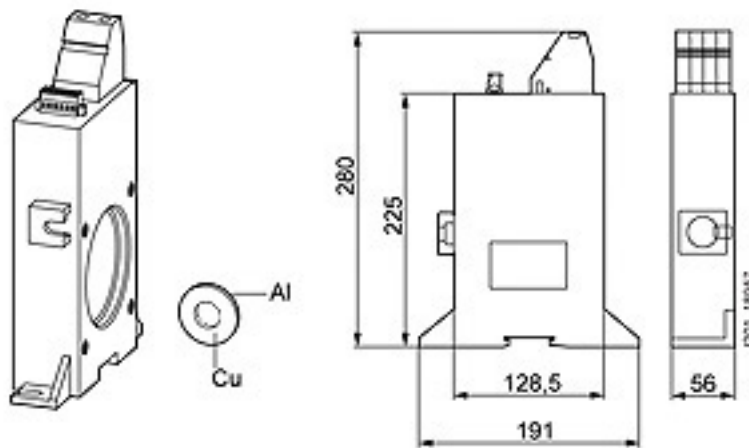
http://www.automation.siemens.com/bilddb/cax_en.aspx?mfb=5SD74112

CAX-Online-Generator

<http://www.siemens.com/cax>

Tender specifications

<http://ausschreibungstexte.siemens.com/tiplv>



last modified:

11.03.2015