

## Single-Strand Roller Chains Lambda-Neptune™ DIN ISO 606 (formerly DIN 8187), Self-Lubricating, Corrosion Proof

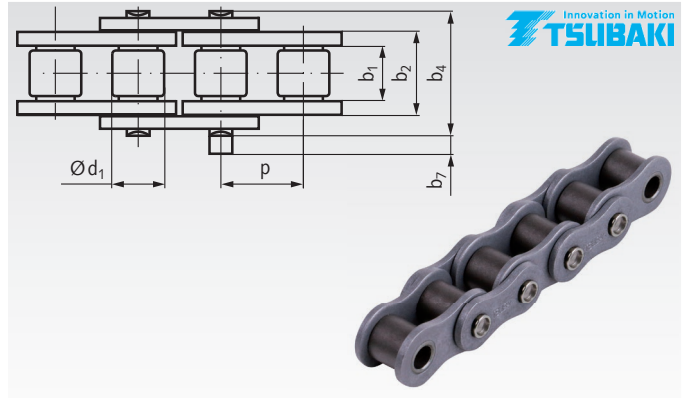
**Materials:** Special chain steel, with corrosion protection coating.

Self-lubricating single-strand roller chains in premium quality with good corrosion resistance. Seamless sinter metal bushes, filled with NSF-H1 high-performance lubricate. Plates, bushes, pins and rollers with high-resilient coating against moisture and alkaline cleaning agents. Sizes 08 to 16 with centre sink riveting. Performance and dimensions according to DIN. Dynamically prestretched. Wasted link plates (size 06 with straight link plates). Chains are supplied with an uneven number of links, with inner links at both ends.

**Temperature range:** -10°C to +60°C.

Wider temperature range -10°C to +230°C on request.

**Ordering Details:** e.g.: Product No. 10176000LN, Roller Chain Lambda-Neptune 06 B-1



DIN ISO-No.	Product No.	Pitch x Inner Width		Inner Width b <sub>2</sub> mm	Roller- Ø d <sub>1</sub> mm	Pin Ø mm	Width over Pin b <sub>4</sub> mm	Projection over Link b <sub>7</sub> <sup>2)</sup> mm	Breaking Load min. kN	Weight kg/m	
		mm	inch								
06 B-1 <sup>1)</sup>	101 760 00LN	9,525	x 5,72	3/8 x 7/32	8,53	6,35	3,28	13,5	3,3	8,9	0,39
08 B-1	105 760 00LN	12,7	x 7,75	1/2 x 5/16	11,30	8,51	4,45	17,0	3,9	17,8	0,70
10 B-1	106 760 00LN	15,875	x 9,65	5/8 x 3/8	13,28	10,16	5,08	19,6	4,1	22,2	0,95
12 B-1	107 760 00LN	19,05	x 11,68	3/4 x 7/16	15,62	12,07	5,72	22,7	4,6	28,9	1,25
16 B-1	108 760 00LN	25,4	x 17,02	1" x 17,02mm	25,45	15,88	8,28	36,1	5,4	60,0	2,70
20 B-1	109 760 00LN	31,75	x 19,56	1 1/4 x 3/4	29,01	19,05	10,19	43,2	6,1	95,0	3,85
24 B-1	110 760 00LN	38,1	x 25,4	1 1/2 x 1	37,92	25,40	14,63	53,4	6,6	160,0	7,45

<sup>1)</sup> With straight link plates.

<sup>2)</sup> Maximum values at the connecting link.

**Please note: Packing Unit 5m with 1 Connecting Link**

If special lengths are needed, please tell us the length and the number of links (uneven number!). At all special lengths, connecting links have to be ordered separately.

## Connecting Links for Single-Strand Roller Chains Lambda-Neptune™ DIN ISO 606, Self-Lubricating, Corrosion Proof

**Materials:** Special chain steel, with corrosion protection coating.

**Ordering Details:** e.g.: Product No. 10176003LN, Connecting Link No.11/E, Lambda-Neptune 06 B-1



No. 11/E: Connecting Link with Spring Clip



No. 10/S: Connecting Link with Cottered Pin



No. 12/L: Cranked Link with Cottered Pin



No. 15/C: Cranked Double Link

DIN ISO No.	Product No. Connecting Link No. 11/E	Weight g	Product No. Connecting Link No. 10/S	Weight g	Product No. Cranked No. 12/L <sup>1)</sup>	Weight g	Product No. Cranked Double No. 15/C <sup>1)</sup>	Weight g
06 B-1	101 760 03LN	4	-	-	101 760 04LN	4	101 760 05LN	9
08 B-1	105 760 03LN	7	-	-	105 760 04LN	10	105 760 05LN	18
10 B-1	106 760 03LN	13	-	-	106 760 04LN	15	106 760 05LN	31
12 B-1	107 760 03LN	14	-	-	107 760 04LN	25	107 760 05LN	48
16 B-1	108 760 03LN	65	-	-	108 760 04LN	81	108 760 05LN	140
20 B-1	-	-	109 760 02LN	115	109 760 04LN	145	109 760 05LN	279
24 B-1	-	-	110 760 02LN	286	110 760 04LN	293	110 760 05LN	580

<sup>1)</sup> With cranked links power and breaking loads are reduced by 20%.