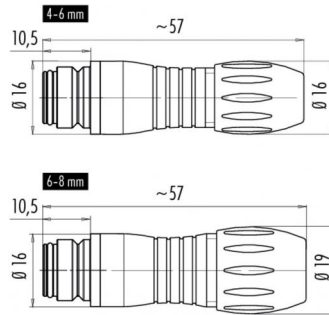


Product **Contacts: 12, female cable connector, cable outlet 6 - 8 mm, red**
 Area **Snap-in IP67 Series 720**
 Article number **99 9134 52 12**

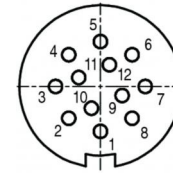
Illustration



Scale drawing



Contact Arrangement



	X	Y
1	0,00	-3,70
2	-2,62	-2,62
3	-3,70	0,00
4	-2,62	2,62
5	0,00	3,70
6	2,62	2,62
7	3,70	0,00
8	2,62	-2,62
9	1,79	-0,74
10	-0,74	-1,79
11	-1,79	0,74
12	0,74	1,79

You can find the item description on the next page.

Technical data

Common values

Connector Design	Cable socket
Connector locking system	snap
Termination	solder
Wire gauge (mm)	0,25 mm ²
Wire gauge (AWG)	24
Cable outlet	6 - 8 mm
Upper temperature	85 °C
Lower temperature	-40 °C

Electrical values

Rated voltage	60
Rated impulse voltage	800 V
Pollution degree	2
Overvoltage category	II
Material group	II
Rated current (40°C)	2 A
Volume resistivity	≤ 3 mΩ
EMV compliance	not shielded
Degree of protection	IP67

Material

Material of contact	CuSn (Bronze)
Contact plating	Au (gold)
Material of contact body	PA (UL 94 V-0)

Product **Contacts: 12, female cable connector, cable outlet 6 - 8 mm, red**
Area **Snap-in IP67 Series 720**
Article number **99 9134 52 12**

Item description

