

Through Hole Wirewound Resistors **multicomp** PRO

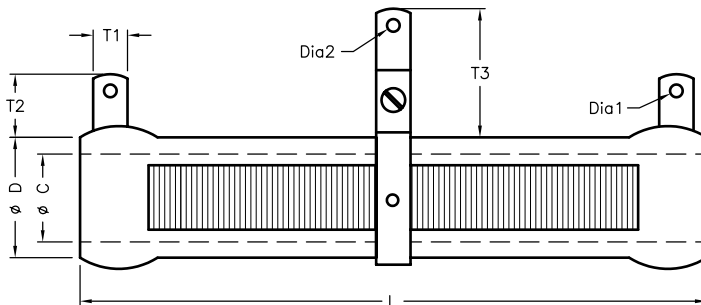
**RoHS
Compliant**



Specifications

Coating	: Lead free vitreous enamel.
Core	: Tubular ceramic.
Terminals	: Solder coated radial lug.
Adjustable Terminal	: Nickel plated steel.
Derating	: Linearly from 100% @ +25°C to 0% @ +350°C.
Power Rating	: Based on 25°C free air rating. The stated wattage rating applies only when the entire resistance is in the circuit. Setting the lug at an intermediate point reduces the wattage rating by the approximate same proportion. Example: If the lug is set at half resistance, the wattage is reduced by approximately one-half.
Overload	: 10 times rated wattage for 5 seconds.
Temperature Coefficient	: ±260ppm/°C
Dielectric Withstanding Voltage	: 100 Watt : 1000V AC 225 Watt : 3000V AC (measured from terminal to mounting bracket)

Diagram



Specification Table

Part Number	Resistance (Ω) ±10%	Wattage (W)	L	D	C	T1 ±0.031	T2 ±0.031	Dia. 1	T3	Dia. 2	Mounting Bracket Part Number
MC14636	10	100	6.5	0.75	0.5	0.25	0.563	0.166 ±0.015	0.874	0.141	MC14690
MC14638	25										
MC14639	50										
MC14635	100										
MC14637	250										

Dimensions : Inches

Newark.com/multicomp-pro
Farnell.com/multicomp-pro
Element14.com/multicomp-pro

multicomp PRO

Through Hole Wirewound Resistors **multicomp** PRO

Part Number	Resistance (Ω) ±10%	Wattage (W)	L	D	C	T1 ±0.031	T2 ±0.031	Dia. 1	T3	Dia. 2	Mounting Bracket Part Number
MC14642	1	225	10.5	1.125	0.75	0.375	0.625	0.173 +0.015 -0.005	0.797	0.17	MC14691
MC14647	5										
MC14641	10										
MC14644	25										
MC14646	50										
MC14640	100										
MC14643	250										
MC14645	500										

Dimensions : Inches

Important Notice : This data sheet and its contents (the "Information") belong to the members of the AVNET group of companies (the "Group") or are licensed to it. No licence is granted for the use of it other than for information purposes in connection with the products to which it relates. No licence of any intellectual property rights is granted. The Information is subject to change without notice and replaces all data sheets previously supplied. The Information supplied is believed to be accurate but the Group assumes no responsibility for its accuracy or completeness, any error in or omission from it or for any use made of it. Users of this data sheet should check for themselves the Information and the suitability of the products for their purpose and not make any assumptions based on information included or omitted. Liability for loss or damage resulting from any reliance on the Information or use of it (including liability resulting from negligence or where the Group was aware of the possibility of such loss or damage arising) is excluded. This will not operate to limit or restrict the Group's liability for death or personal injury resulting from its negligence. Multicomp Pro is the registered trademark of Premier Farnell Limited 2019.

Newark.com/multicomp-pro
 Farnell.com/multicomp-pro
 Element14.com/multicomp-pro

multicomp PRO