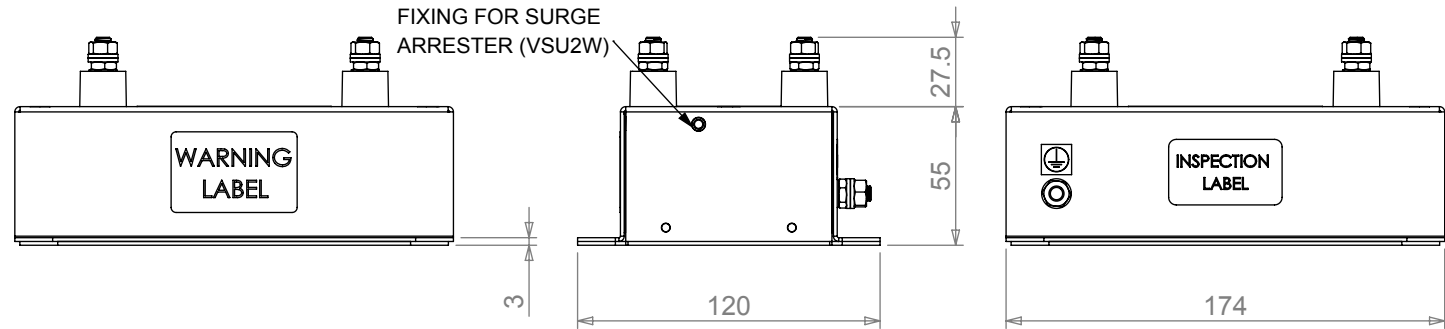
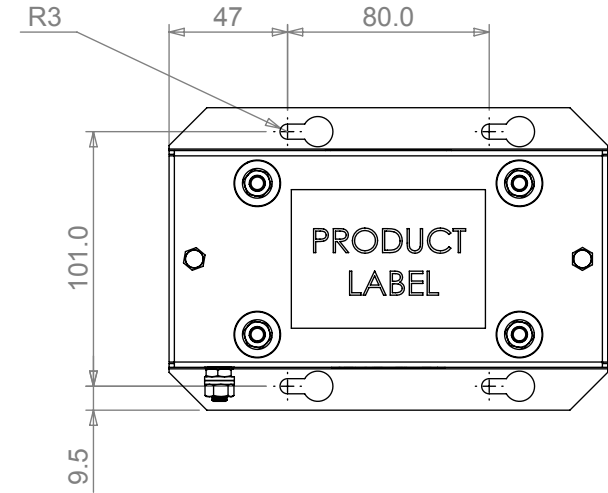
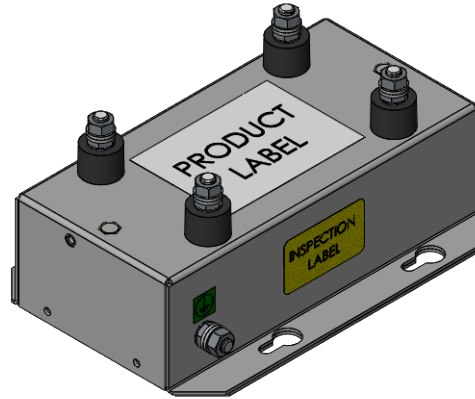


IHF36

AKA n/a
 Device rfi filter
 Current 36A 40°C
 Earthing M6x13 stud 4Nm
 Enclosure aluminium 1.2mm
 Loss 4.93W/ph
 Leakage 1.7mA operating
 Mass 1.75kg
 Mounting M5 2Nm
 PCB FR4 AVLV2 VW-1 600V 105°C IIIa
 Potting resin
 Power 8.6kW
 Protection IP00
 Resistance 3.8mR/ph
 Residual 1v 5s
 SCCR 5kA
 Style stud filter
 Terminal M6 stud 4Nm
 Varistor n/a
 Supply 1P 240V 50/60Hz
 Voltage 254V max
 Withstand 2100Vdc 60s
 Altitude 2000m w/out derating
 Bonding 25A 50/60Hz
 Class class I
 Environment -25/+85/21
 Flammability UL94 V-2 min
 Humidity 93% RH non-condensing
 Insulation 500Vdc ≥3.5MR
 Material group IIIb
 MTBF 22yrs (MIL-HDBK-217F)
 Overload 135% 2hrs 150% 60s
 Overvoltage category II
 Packaging ASTM D7386
 Pollution degree II
 Shock 15g 11ms
 Spacing ≥50mm gap
 Vibration 5-55Hz 350um 55-500Hz 2G
 EU CE EN60939
 US n/a
 CAN n/a
 OTHER n/a



PROPRIETARY AND CONFIDENTIAL:

THE INFORMATION CONTAINED IN THIS DRAWING IS THE SOLE PROPERTY OF ALPHA 3 MANUFACTURING. ANY REPRODUCTION IN PART OR AS A WHOLE WITHOUT THE WRITTEN PERMISSION OF ALPHA 3 MANUFACTURING IS PROHIBITED.

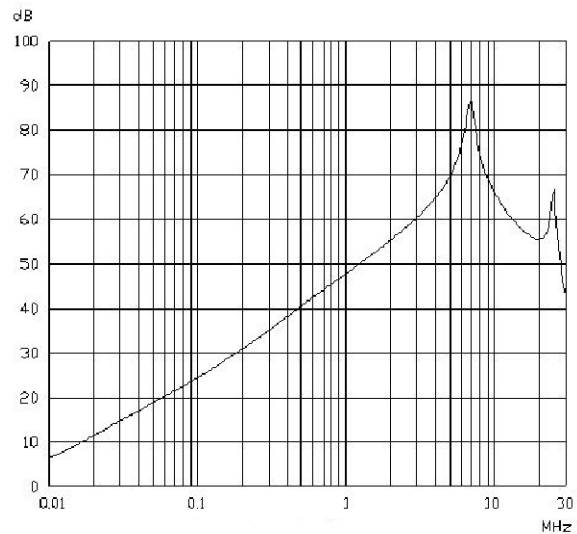
DEM Manufacturing is a division of Alpha 3 Manufacturing LTD
 DEM Manufacturing, Deltron Emcon House, Hargreaves Way,
 Sawcliffe Ind. Park, Scunthorpe, North Lincolnshire, DN15 8RF, UK

UNLESS OTHERWISE SPECIFIED DIMENSIONS ARE IN MILLIMETRES
 LINEAR & RADIAL TOLERANCE:
NO DECIMAL PLACES ±0.5mm
1 DECIMAL PLACE ±0.25mm
2 DECIMAL PLACES ±0.125mm
ANGULAR TOLERANCE: ±1°

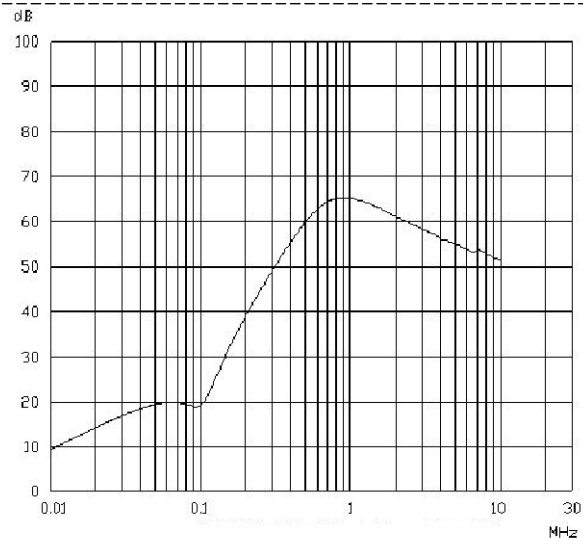
IF IN DOUBT ASK! DO NOT SCALE DRAWING!

FINISH	-
MATERIAL	-
THE FINISHED PRODUCT SHOULD BE CLEAN AND FREE FROM ALL LIQUIDS AND DEBRIS. SURFACES SHOULD BE OF UNIFORM APPEARANCE FREE FROM SHARP EDGES, BURRS AND CORROSION	

AUTHOR	SW	TITLE	SPECIFICATION	
EDITOR	SW	FILE	IHF36	
APPROVER	SW	PART	IHF36	
THIRD ANGLE PROJECTION	SHEET 1 OF 2	ISSUE/REV.	004	VERSION 8
	SCALE 1:10 A4	RELEASED	EDIT DATE 19 Dec 2018	



A: 50/50Ω ASYMMETRICAL (COMMON)



B: 50/50Ω SYMMETRICAL (DIFFERENTIAL)