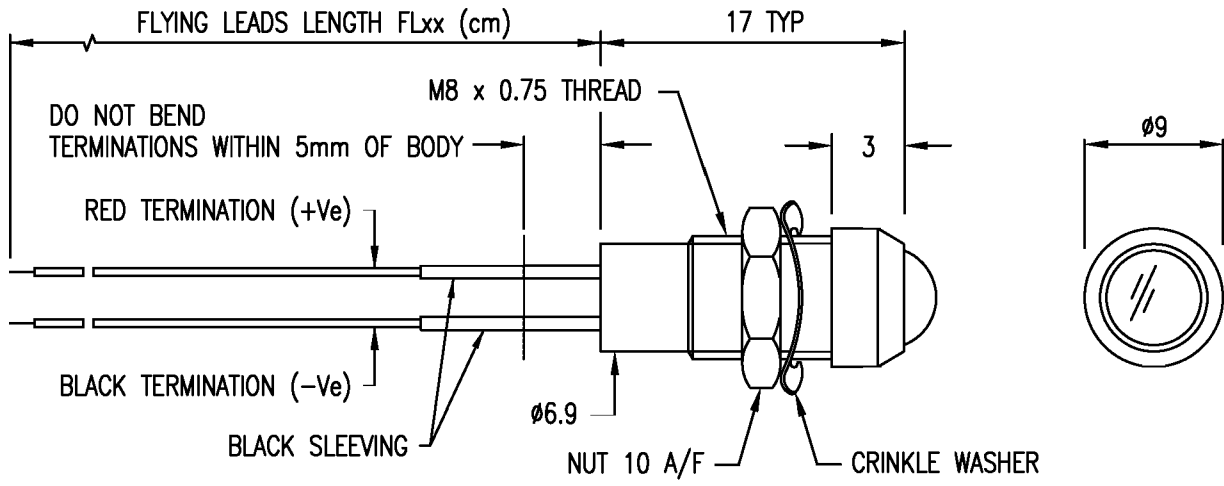


DRG No. CP37064	ISSUE 1	TYPE No. OXL/CLH/80/P/-/AC/FLxx/-		DIM. IN: MILLIMETRES	ODC:QS:40077 ISSUE 2	THIS DRAWING AND THE COPYRIGHT AND DESIGN RIGHT THEREIN ARE THE PROPERTY OF OXLEY DEVELOPMENTS CO. Ltd. AND MUST NOT BE REPRODUCED OR DISCLOSED TO A THIRD PARTY WITHOUT PRIOR WRITTEN CONSENT OF THE COMPANY.	ISS	MODIFICATION	DATE
DO NOT SCALE									

© COPYRIGHT OXLEY DEVELOPMENTS Co. Ltd. 2005



DESCRIPTION	MATERIAL
TERMINATIONS	FLYING LEADS INSULATION RED AND BLACK
BODY	ALUMINIUM ALLOY, BLACK ANODISED
NUT	ALUMINIUM ALLOY
WASHER	Be.Cu. - TIN PLATED

MOUNTING DETAILS :
MOUNTING HOLE $\varnothing 8 \begin{matrix} +0.2 \\ 0 \end{matrix}$
RECOMMENDED MOUNTING TORQUE 1Nm
CHASSIS THICKNESS 1 to 5mm

COLOUR	CURRENT (mA)		LUMINOUS INTENSITY (mcd)		LENS TYPE	REVERSE VOLTAGE (V)	VIEWING ANGLE (TYP)	OPERATING TEMPERATURE	STORAGE TEMPERATURE
	DC	AC	DC	AC					
AlGaAs RED	15	7.5	900	450	LED LENS	RATED VOLTAGE	60°	-40°C to 85°C	-40°C to 100°C
YELLOW	15	7.5	750	375					
GREEN	15	7.5	940	470					
BLUE	15	7.5	900	450					
WHITE	15	7.5	750	375					

MATERIAL AS STATED	DRAWN <i>Simon Russam</i>
FINISH CLEAN	CHECKED T. DAVIS
PLATING	APPROVED DA05/527
TOLERANCE	DATE 1 DEC 05

ORDERING INFORMATION :
WHEN ORDERING, PLEASE STATE TYPE NUMBER, SPECIFYING VOLTAGE, FLYING LEAD LENGTH & LED COLOUR REQUIRED
e.g OXL/CLH/80/P/12/AC/FL30/WHITE
VOLTAGE REQUIRED (5, 12, 15, 24 or 28Vdc) —
FLYING LEAD LENGTH IN cm — LED COLOUR REQUIRED (AlGaAs RED, YELLOW, BLUE, GREEN or WHITE)

REMARKS

TITLE
VOLTAGE BEZELED
LED INDICATOR
SINGLE CHIP LED