

# 24W External Plug In Adapter

## 12V DC, 2A

**multicomp** PRO

**RoHS  
Compliant**



### Features

- Universal Input
- IEC-320-C8 Input Connector
- Efficiency Level VI
- Safety approved to: UL, CUL, FCC, GS, CE, RCM

### Description

This 24 Watt AC/DC switch mode power supplies provide 24 Watts of continuous output power in a high quality compact enclosure suitable for many general power applications.

### Specifications

Input Voltage Range	90V AC to 264V AC
Input Frequency Range	47Hz to 63Hz
Input Connector	IEC 320 to C8
Input Current Rated	600mA Rms Max
Inrush Current	No Damage
Leakage Current	<0.25mA
Efficiency	86.8% Min
Input Power (Output: No Load)	≤0.1W (CEC & DOE Level VI Compliant) ≤0.075W (ErP Tier2 Compliant)
Output Voltage Rating	12V DC
Output Current Range	2A
Output Min Current	0A
Output Connection Type	2.1mm × 5.5mm × 12mm Centre Positive - Right Angle
Line and Load Regulation	±5%
Over Voltage Protection	16V
Over Load Protection	3A Output Load
Short Circuit Protection	Output Shut Down Auto Recover
Ripple Voltage	150mV (p-p) (100V to 240V AC Input )
Hi-Pot	3000V AC or 4242V DC 10mA 1 min
Safety Approved	IEC60950, UL60950, EN60950
EMI Standard	Meet FCC Class B, CE
Operating Temperature Range	0°C to +40°C
Storage Temperature	-10°C to +70°C
Operating Humidity	20% to 80%
Storage Humidity	10% to 90%
Dimensions	80.6mm (L) × 50mm (W) × 31mm (H)
Product Weight	130 g
Regulator Type	Switched Mode Power Supply

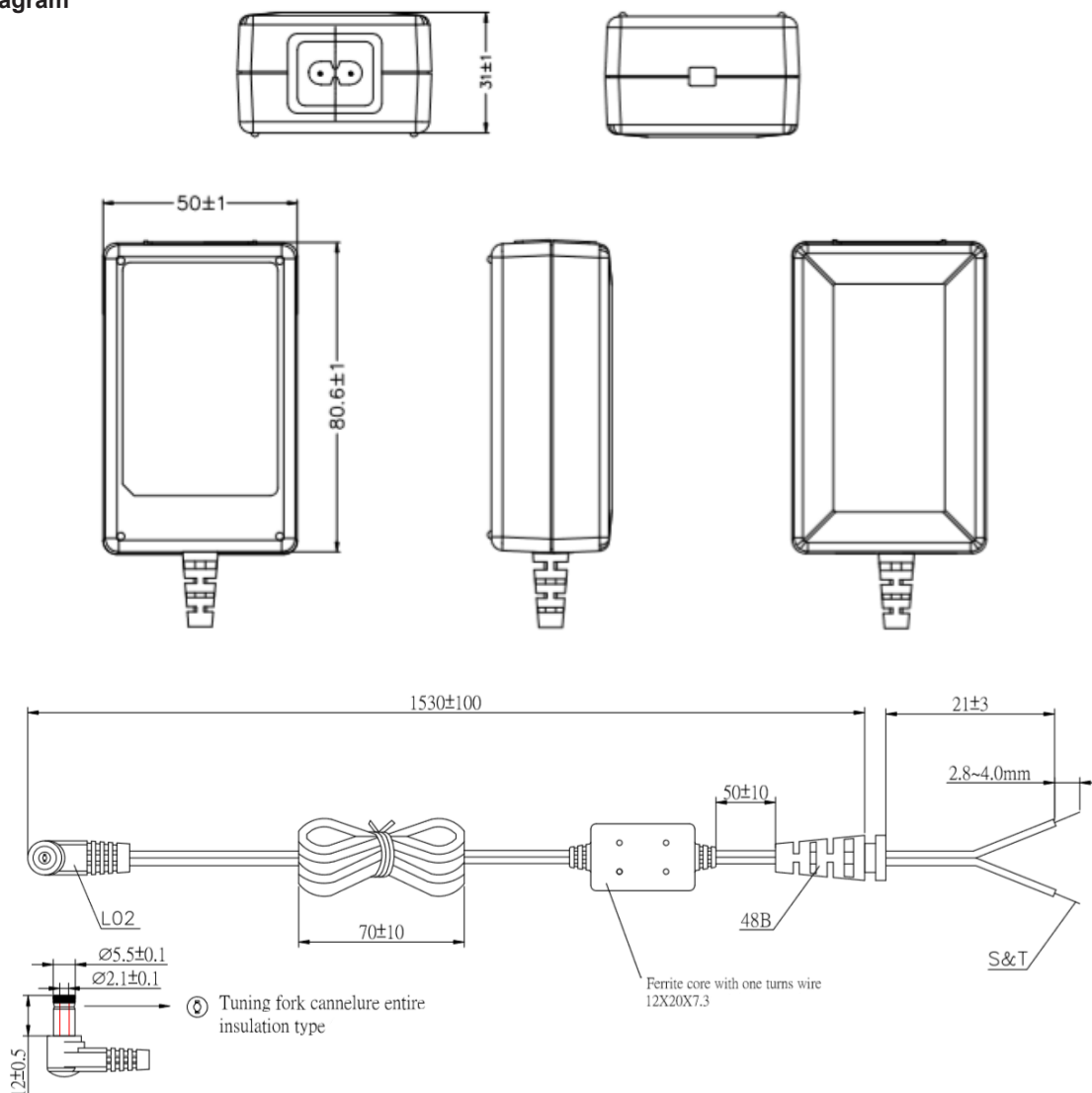
Newark.com/multicomp-pro  
Farnell.com/multicomp-pro  
Element14.com/multicomp-pro

**multicomp** PRO

# 24W External Plug In Adapter 12V DC, 2A

**multicomp** PRO

## Diagram



Dimensions : Millimetres

## Part Number Table

Description	Part Number
External Plug In Adapter, 24W, 12V DC, 2A, IEC C8 Socket	MP001996

**Important Notice :** This data sheet and its contents (the "Information") belong to the members of the AVNET group of companies (the "Group") or are licensed to it. No licence is granted for the use of it other than for information purposes in connection with the products to which it relates. No licence of any intellectual property rights is granted. The Information is subject to change without notice and replaces all data sheets previously supplied. The Information supplied is believed to be accurate but the Group assumes no responsibility for its accuracy or completeness, any error in or omission from it or for any use made of it. Users of this data sheet should check for themselves the Information and the suitability of the products for their purpose and not make any assumptions based on information included or omitted. Liability for loss or damage resulting from any reliance on the Information or use of it (including liability resulting from negligence or where the Group was aware of the possibility of such loss or damage arising) is excluded. This will not operate to limit or restrict the Group's liability for death or personal injury resulting from its negligence. Multicomp Pro is the registered trademark of Premier Farnell Limited 2019.

Newark.com/multicomp-pro  
Farnell.com/multicomp-pro  
Element14.com/multicomp-pro

**multicomp** PRO