

# 8 Series Pushbutton Switches

## ■ Features

- 1. Contacts**  
Silver or gold-plated contacts.
- 2. Epoxy resin case**  
UL94V-0 self-extinguishing epoxy.
- 3. Actuator style**  
Over 30 actuator variations.
- 4. Insulation between terminal and ground:  
4 mm minimum.**
- 5. Prevention of flux entry**  
The epoxy resin seal on bottom of the switch helps prevent the entry of solder and flux.
- 6. Insulation barrier:**  
Insulation barrier design between poles helps prevent short-circuiting between poles ensuring high reliability.

## ■ Specifications

Rating	Max. rating	6A 125VAC/3A 250VAC/4A 30VDC	
Initial contact resistance	10mΩmax. (1A 2~4VDC)		
Initial dielectric strength	1,500VAC 1 minute		
Initial insulation resistance	1,000MΩ min. (500VDC)		
Electrical life (Excluding <b>8R</b> & <b>8W</b> )	Alternate type	40,000 operations	
	Momentary type	25,000 operations	
Operating temperature range	-30°C~+85°C		
Storage temperature range	-40°C~+85°C		

(Excluding **8R** & **8W**. Specifications on 8R and 8W series are specified separately on P.264 and P.269.)

## ■ Terminal Styles

Solder (Style:1)	Straight (Style:2)

**UL-Recognized, CSA certified Products**  
(Pushbutton type Only)

## ■ Eight Switch Series


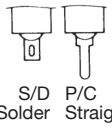





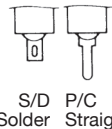


Poles	Switching function	UL (※2.)			CSA (※3.)		
		8N	8P	8Y	8N	8P	8Y
1 pole	<b>1011-Z</b> ON - ON	○	○	○	○	○	○
	<b>1012-Z</b> ON - ON	○	○	○	○	○	○
	<b>1021-Z</b> ON - (ON)	○	○	○	○	○	○
	<b>1022-Z</b> ON - (ON)	○	○	○	○	○	○
2 poles	<b>2011-Z</b> ON - ON	○	○	○	○	○	○
	<b>2012-Z</b> ON - ON	○	○	○	○	○	○
	<b>2021-Z</b> ON - (ON)	○	○	○	○	○	○
	<b>2022-Z</b> ON - (ON)	○	○	○	○	○	○
3 poles	<b>3011-Z</b> ON - ON	○	○	○	○	○	○
	<b>3021-Z</b> ON - (ON)	○	○	○	○	○	○
4 poles	<b>4011-Z</b> ON - ON	○	○	○	○	○	○
	<b>4021-Z</b> ON - (ON)	○	○	○	○	○	○

(※2.) **UL File No.E43275**

(※3.) **CSA File No.LR38341**

If **UL** or **CSA** marking is required, please specify when ordering.

# 8 Series Pushbutton Switches Selection Table

Part No.	Name	Actuator shape	Number of poles	Switching function	Terminal style	Page
<b>8N</b>	Standard Pushbutton		1.2.3.4	ON — ON ON — (ON)	 S/D Solder P/C Straight	<b>261</b>
<b>8P</b>	Splash Proof Pushbutton		1.2	ON — ON ON — (ON)	 S/D Solder	<b>263</b>
<b>8Y</b>	Mustang Pushbutton		1.2.3	ON — ON ON — (ON)	 S/D Solder	<b>265</b>
<b>8R-N</b>	Soft Touch Pushbutton		1.2	ON — ON ON — (ON)	 S/D Solder P/C Straight	<b>267</b>
<b>8W-N</b>	Snap-in Pushbutton		1.2	ON — (ON)	 S/D Solder P/C Straight	<b>269</b>

## Part Numbering

**8**

Series code

**N**

Actuator shape

**1**

Number of poles

**01**

Switching function

**1**

Terminal style

**B — Z**

(※1) Contact plating and material

Code	Actuator
<b>N</b>	Standard
<b>P</b>	Splash proof
<b>Y</b>	Mustang
<b>R</b>	Soft Touch
<b>W</b>	Snap-in

Fig.	Number of poles
<b>1</b>	1
<b>2</b>	2
<b>3</b>	3
<b>4</b>	4

Fig.	Switching function
<b>01</b>	ON — ON
<b>02</b>	ON — (ON)

Fig.	Terminal style
<b>1</b>	Solder
<b>2</b>	PC/Straight

Code	Contact material	Plating
None	Bs+Ag or Cu+Ag	Ag
<b>B</b>	Bs or Cu	Ni+Au
<b>C</b>	Bs+Ag or Cu+Ag	Ni+Au

※1 Bs= Brass  
Cu= Copper  
Ag= Silver  
Ni= Nickel  
Au= Gold

Note : Some combinations may not be available. Please check the "Table of Part Numbers" for each series.

# 8N

## Standard Pushbutton Switches



RoHS Compliant

### ■ Features

The **8N** standard pushbutton switch is the basic type of “8” Series. Momentary and alternate functions are available. **Color button** is available in 8mm, 10mm and 15mm diameter and in 4 colors.

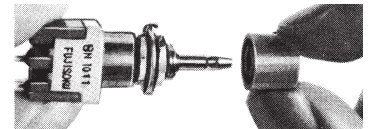
### ■ Table of Part Numbers

Terminal style	No. of pole		1 pole	2 poles	3 poles	4 poles
	Switching function					
Solder Lug	ON — ON		<b>8N1011-Z</b>	☆ <b>8N2011-Z</b> ▲ <b>8N2011C-Z</b>	★ <b>8N3011-Z</b>	▲ <b>8N4011-Z</b>
	ON — (ON)		<b>8N1021-Z</b> ▲ <b>8N1021C-Z</b>	<b>8N2021-Z</b>	★ <b>8N3021-Z</b>	★ <b>8N4021-Z</b>
Straight PC	ON — ON		—	★ <b>8N2012-Z</b>	—	—
	ON — (ON)		☆ <b>8N1022-Z</b>	☆ <b>8N2022-Z</b>	—	—

### ■ PC Hole Layouts Page 271.

### ■ Color Button Mounting

Snap in the color button on to the actuator.

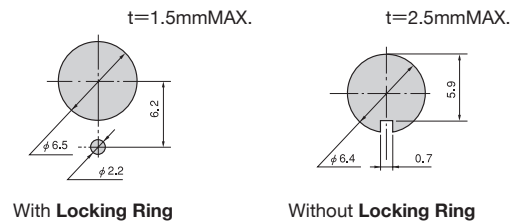


### ■ Standard Accessories

《Supplied with switch》

Hex Nut	Lockwasher	Locking Ring
<b>140008010241</b>	<b>140008030051</b>	<b>140008020062</b>
Nickel plated	Zinc plated	Zinc plated

### ■ Panel Cut-Out Dimensions



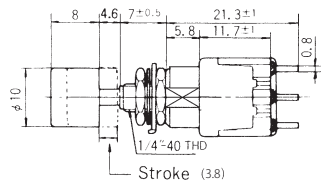
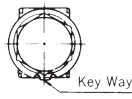
Part name		Color Button		
Dimension A		φ 8	φ 10	φ 15
Dimension B		7.5	8	10
	White	<b>140000481420</b>	<b>140000480082</b>	<b>140000480088</b>
	Red	<b>140000481421</b>	<b>140000480083</b>	<b>140000480089</b>
	Black	<b>140000481422</b>	<b>140000480081</b>	<b>140000480090</b>
	Gray	<b>140000481423</b>	<b>140000480084</b>	<b>140000480091</b>

★ : Made to order products. ☆ : Semi-standard products. ▲ : Inquiry products. (ON) : Momentary.

● Hex Nut (2 pcs), Lockwasher (1 pc), and Locking Ring (1 pc) are supplied with the switch. A Color Button is also supplied with the switch. Please specify the part number from the above table when ordering.

# 8N

## SPDT

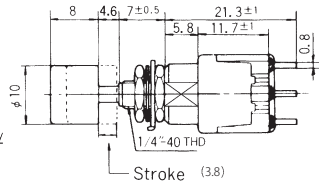
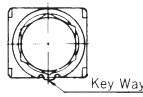


Switching function		
Part No.		
※ 8N101■-Z	ON	ON
8N102■-Z	ON	(ON)
Connecting terminals	2-3	2-1

※ : The circuit switches each time the switch button is pressed.  
 ■ : Please refer to "Table of Part Numbers" on P.261 for a list of full part numbers.

Terminal numbers are not shown on the switch.

## DPDT

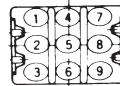
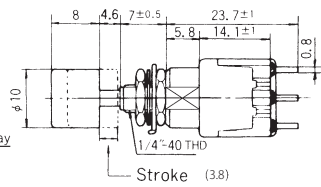
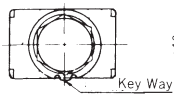


Switching function		
Part No.		
※ 8N201■-Z	ON	ON
8N202■-Z	ON	(ON)
Connecting terminals	2-3 5-6	2-1 5-4

※ : The circuit switches each time the switch button is pressed.  
 ■ : Please refer to "Table of Part Numbers" on P.261 for a list of full part numbers.

Terminal numbers are not shown on the switch.

## 3PDT

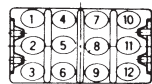
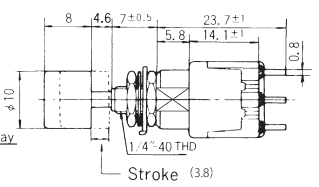
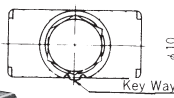
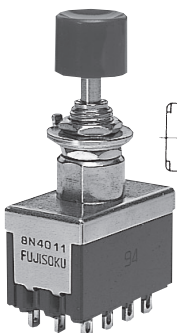


Switching function		
Part No.		
※ 8N301■-Z	ON	ON
8N302■-Z	ON	(ON)
Connecting terminals	2-3 5-6 8-9	2-1 5-4 8-7

※ : The circuit switches each time the switch button is pressed.  
 ■ : Please refer to "Table of Part Numbers" on P.261 for a list of full part numbers.

Terminal numbers are not shown on the switch.

## 4PDT

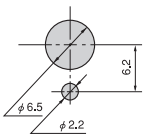
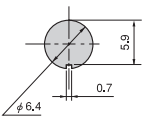
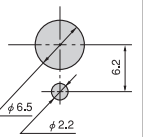
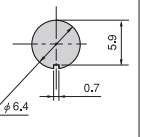
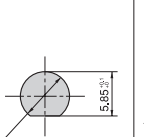
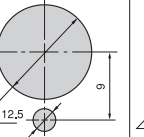
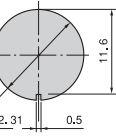


Switching function		
Part No.		
※ 8N401■-Z	ON	ON
8N402■-Z	ON	(ON)
Connecting terminals	2-3 5-6 8-9 11-12	2-1 5-4 8-7 11-10

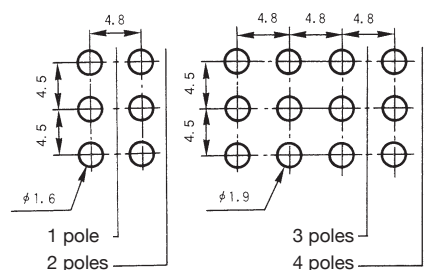
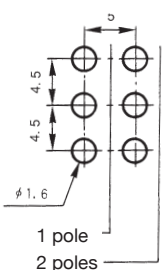
※ : The circuit switches each time the switch button is pressed.  
 ■ : Please refer to "Table of Part Numbers" on P.261 for a list of full part numbers.

Terminal numbers are not shown on the switch.

## Panel Cut-Out Dimensions

Series	8N		8R		8P	8Y	
Panel thickness	1.5 mm Max.	2.5 mm Max.	2 mm Max.	3 mm Max.	4.5 mm Max.	5 mm Max.	6 mm Max.
Dimensions	 With Locking Ring	 Without Locking Ring	 With Locking Ring	 Without Locking Ring	 With Locking Ring	 With Locking Ring	 Without Locking Ring

## PC Hole Layouts

Series	8N · 8P	8R · 8W
Dimensions		

## Precautions (8N·8P·8R·8W·8Y)

### 1. Soldering Specifications

#### (1) Manual soldering

Device : Solder iron

- ① 420°C Max. 3 sec. Max.

#### (2) Auto soldering

② The above-stated soldering conditions shall apply only to switches with straight terminals. Auto soldering is not possible with right-angle terminals. Switches with right-angle terminals should be soldered manually according to the conditions specified in (1) above.

(3) When putting the switches through an aging process after they were soldered onto the printing board or after installed into a complete end product, be sure to remove the buttons of the switches.,

### 2. Mounting

- Do not bend the terminals before mounting the switch on the PC board.
- After mounting the switch, do not place the device in such a way that the device weight will be applied on to the actuator of the switch.
- For switches with straight terminals, solder the switch on the PC board after fixing the switch on the panel with a nut.

### 3. Flux Cleaning

- (1) Solvent : Fluorine or Alcohol type.
- (2) 8A/B/C/D/E/F/J/S series are not washable. To wash the PC board, clean the soldering surface of the PC board with a brush so that the switch is not exposed to the cleaning solution.

## Packaging Specification

