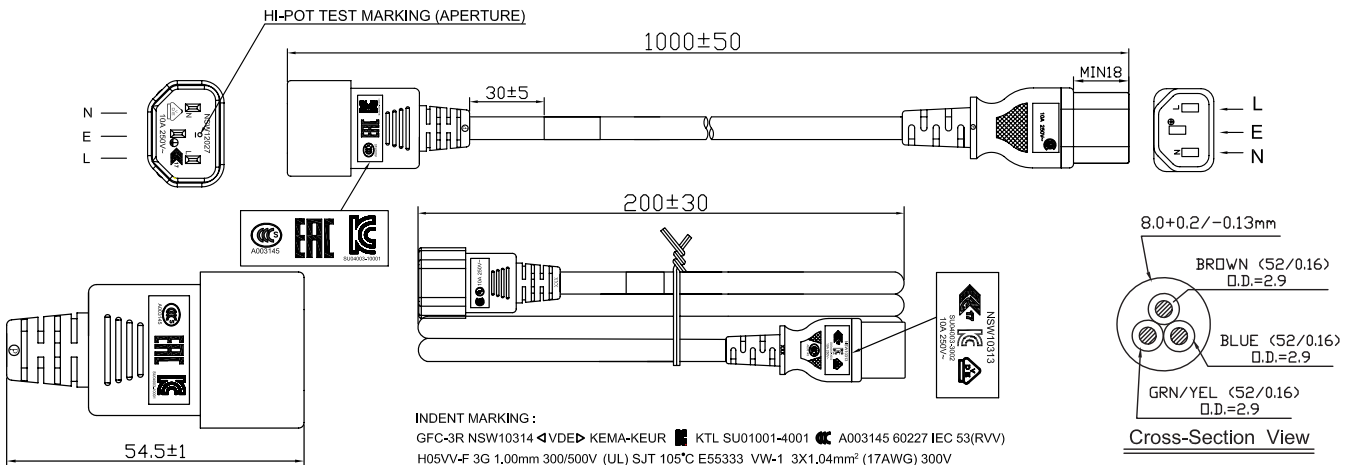


Specifications:

Cable Length - Imperial	: 3.3 Ft
Cable Length - Metric	: 1m
Connector Type A	: IEC 60320 C13
Connector Type B	: IEC 60320 C14
Jacket Colour	: Black
Cord Type	: H05VV-F
Shielding Material	: PVC
Insulation(Single or Double)	: Single
Insulation Material	: PVC
Conductor Type	: Annealed Soft Bare Copper
Number of Conductors	: 3
Conductor Size	: 1mm ²
Conductor Construction	: 32/0.2
Cord Jacket Diameter	: 7.5±0.2
Voltage Rating	: 250V
Current Rating	: 10A
Temperature Rating	: 70°C

**RoHS
Compliant**



Dimensions : Millimetres

Note:

1. Cable : The cord shall comply with IEC60227 & UL 62, 1581
2. Plug : The molded plug shall comply with IEC60320-1 Standard Sheet C14
2. Connector : The molded connector shall comply with IEC60320-1 standards (C13 Connector)
3. The product shall be tested 100% for all safety electrical items

Part Number Table

Description	Part Number
Power Cord, IEC 60320 C13-C14, 1m	GW-151605

Important Notice : This data sheet and its contents (the "Information") belong to the members of the AVNET group of companies (the "Group") or are licensed to it. No licence is granted for the use of it other than for information purposes in connection with the products to which it relates. No licence of any intellectual property rights is granted. The Information is subject to change without notice and replaces all data sheets previously supplied. The Information supplied is believed to be accurate but the Group assumes no responsibility for its accuracy or completeness, any error in or omission from it or for any use made of it. Users of this data sheet should check for themselves the Information and the suitability of the products for their purpose and not make any assumptions based on information included or omitted. Liability for loss or damage resulting from any reliance on the Information or use of it (including liability resulting from negligence or where the Group was aware of the possibility of such loss or damage arising) is excluded. This will not operate to limit or restrict the Group's liability for death or personal injury resulting from its negligence. Multicomp Pro is the registered trademark of Premier Farnell Limited 2019.

Newark.com/multicomp-pro
Farnell.com/multicomp-pro
Element14.com/multicomp-pro