

HF-Performer TL5 Circular

HF-P 155 TL5C 220-240V 50/60Hz

Compact, square, lightweight, High Frequency electronic ballasts for TL5 Circular lamps

Product data

• General Information

Type Version	mk1
Lamp Type	TL5C
Number Of Lamps	1 piece/unit
Number Of Products	28
On MCB (16A Type B) (Nom)	
Automatic Restart	Yes

• Operating and Electrical

Input Voltage	220 to 240 V
Input Frequency	50/60 Hz
Operating Frequency (Max)	- kHz
Operating Frequency (Min)	- kHz
Operating Frequency (Nom)	45 kHz
Ignition Method	Warm Start
Crestfactor (Max)	1.7
Power Factor 100% Load (Nom)	0.94
Ignition Time (Max)	1.6 s
Mains Voltage	-8%/+6%
Performance (AC) Mains Voltage Safety (AC)	-10%/+10%
Earth Leakage Current (Nom)	0.5 mA
Inrush Current	0.17 ms
Width	
Constant Wattage Deviation	-2%/+2%
Power Losses (Nom)	4.0 W
Inrush Current Peak (Max)	20 A

• Wiring

Connector Type	Insert
Input Terminals	
Cable Capacity	120 pF
Output Wires Mutual (Nom)	
Connector Type	Insert
Output Terminals	
Wire Striplength	11.0 mm
Dual Fixture Master/Slave	Not applicable [Master/Slave oper. not applicable]
Input Terminal Cross Section	0.75-1.50 mm ²
Output Terminal Cross Section	0.75-1.50 mm ²
Cable Capacity	60 pF
Output Wires To Earth (Nom)	

• System characteristics

Rated Ballast-Lamp Power	55 W
--------------------------	------

• Temperature

T-Ambient (Max)	50 °C
T-Ambient (Min)	-20 °C
T-Case Lifetime (Nom)	70 °C
T-Case Maximum (Max)	70 °C

PHILIPS

HF-Performer TL5 Circular

Mechanical and Housing

Housing S 103x67x30

Emergency Operation

Battery Voltage Lamp Ignition
 Battery Voltage Lamp Operation 176-276 V
 176-276

Approval and Application

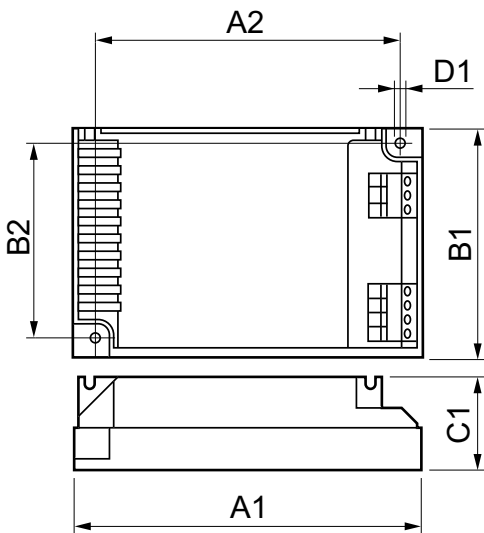
Energy Efficiency Index A3
 EMI 9 kHz ... 30 MHz EN55015
 EMI 30 MHz ... 1000MHz Level = Class
 Safety Standard IEC 61347-2-3
 Performance Standard IEC 60929
 Quality Standard ISO 9000:2000
 Environmental Standard ISO 14001
 Harmonic Current Emission Standard IEC 61000-3-2

Emc Immunity Standard IEC 61547
 Vibration Standard IEC 68-2-6 Fc
 Bumps Standard IEC 68-2-29 Eb
 Humidity Standard EN 61347-2-3 clause 11
 Temperature Marking Not specified
 Emergency Standard IEC 60598-2-22
 Hum And Noise Level Inaudible

Product Data

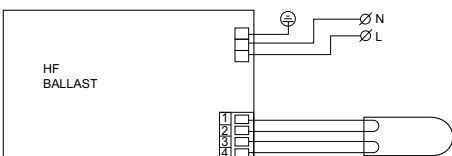
Full product code 871150092776730
 Order product name HF-P 155 TL5C 220-240V 50/60Hz
 EAN/UPC - Product 8711500927767
 Order code 913700163891
 Numerator - Quantity Per Pack 1
 Numerator - Packs per outer box 36
 Material Nr. (12NC) 913700163891
 Net Weight (Piece) 0.154 kg

Dimensional drawing



HF-P 155 TL5C 220-240V 50/60Hz

Product	D1	C1	A1	A2	B1	B2
HF-P 155 TL5C 220-240V 50/60Hz	4.5 mm	30.0 mm	103.0 mm	93.5 mm	67.0 mm	57.5 mm





© 2015 Koninklijke Philips N.V. (Royal Philips)
All rights reserved.

Specifications are subject to change without notice. Trademarks are the property of Koninklijke Philips N.V. (Royal Philips) or their respective owners.

www.philips.com/lighting

2015, December 24
data subject to change