

# PRODUCT DATASHEET

## DULUX F 36 W/827 2G10

OSRAM DULUX F | Flat CFLni, 2 tubes, with 4-pin base for ECG/CCG operation



---

### AREAS OF APPLICATION

- Offices, public buildings
- Shops
- Supermarkets and department stores
- Hotels, restaurants
- Industry

---

### PRODUCT BENEFITS

- Very economical
- Good quality of light
- Excellent luminous efficiency
- Extremely low profile
- Long service life

---

### PRODUCT FEATURES

- Short and compact pin-base lamp with double-turn tubes
- Single-ended four-pin plug-in 2G10 base
- Color rendering index  $R_a: \geq 80$



**TECHNICAL DATA**

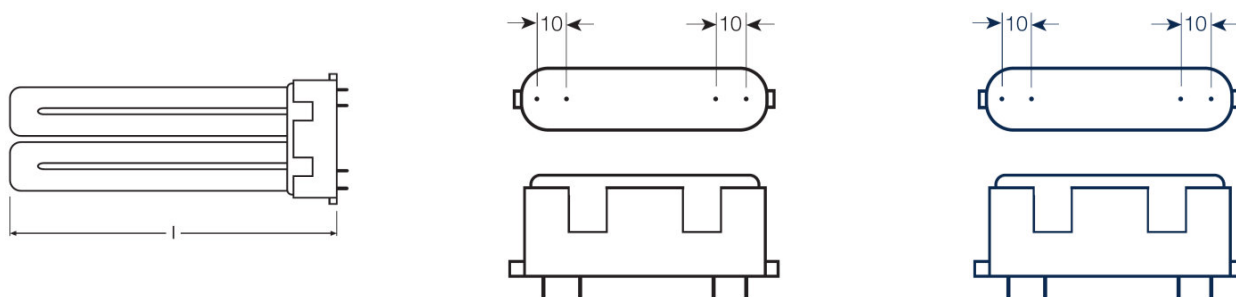
Electrical data

<b>Rated wattage</b>	36.00 W
<b>Nominal wattage</b>	36.00 W

Photometrical data

<b>Nominal luminous flux</b>	2800 lm
<b>Luminous flux at 25 °C</b>	2800 lm
<b>Rated luminous flux</b>	2800 lm
<b>Rated color temperature</b>	2700 K
<b>Color rendering index Ra</b>	≥80
<b>Rated LLMF at 4,000 h</b>	0.86
<b>Rated LLMF at 6,000 h</b>	0.83
<b>Rated LLMF at 8,000 h</b>	0.81
<b>Rated LLMF at 12,000 h</b>	0.77
<b>Luminance</b>	3 cd/cm <sup>2</sup>
<b>Light color (designation)</b>	LUMILUX INTERNA
<b>Color temperature</b>	2700 K
<b>Luminous flux</b>	2800 lm
<b>Color rendering index Ra</b>	≥80

Dimensions & weight



<b>Diameter</b>	17.5 mm
<b>Overall length</b>	217.0 mm
<b>Tube diameter</b>	17.5 mm
<b>Length</b>	217.0 mm
<b>Length acc. to IEC standard</b>	217 mm
<b>Outer bulb</b>	T16
<b>Maximum diameter</b>	17.0 mm

## Temperatures &amp; operating conditions

<b>Rated ambient temp.w.max.luminous flux</b>	25.0 °C
---	---------

## Lifespan

<b>Nominal lamp life time</b>	13000 h
<b>Rated lamp life time</b>	13000 h
<b>Service life</b>	9000 h <sup>1)</sup>
<b>Rated lamp survival factor at 2,000 h</b>	0.99
<b>Rated lamp survival factor at 4,000 h</b>	0.99
<b>Rated lamp survival factor at 6,000 h</b>	0.99
<b>Rated lamp survival factor at 8,000 h</b>	0.95
<b>Rated lamp survival factor at 12,000 h</b>	0.64
<b>Operation mode LLMF/LSF</b>	HF
<b>Lifespan</b>	10000 h <sup>1)</sup>

<sup>1)</sup> With preheat ECG

## Additional product data

<b>Base (standard designation)</b>	2G10
<b>Mercury content</b>	2.5 mg

## Capabilities

<b>Suitable for indoor</b>	Yes
----------------------------	-----

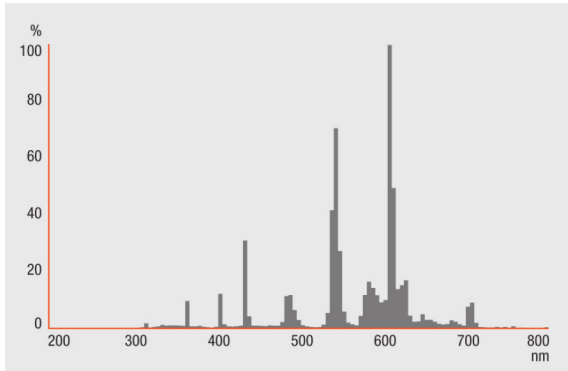
## Certificates &amp; standards

<b>Energy consumption</b>	40 kWh/1000h
<b>Energy efficiency class</b>	A

## Country-specific categorizations

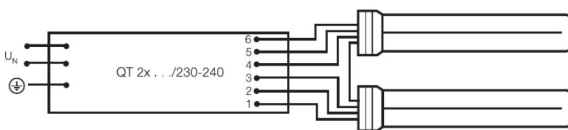
<b>ILCOS</b>	FSS-36/827-E-2G10-90/217
--------------	--------------------------

Light Distribution

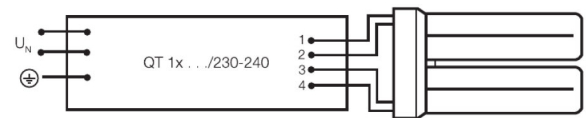


Spectral power distribution

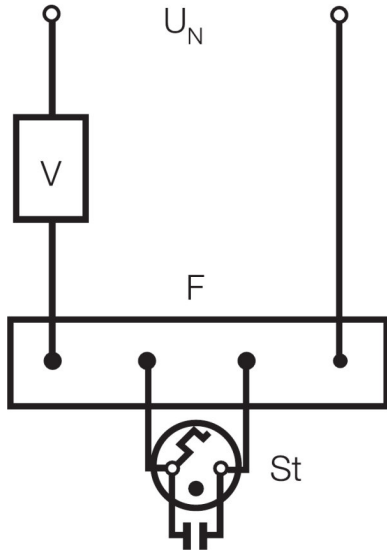
Wiring Diagram



Wiring diagram



Wiring diagram



Wiring diagram

**EQUIPMENT / ACCESSORIES**

- Suitable for operation on electronic and conventional control gear

**SAFETY ADVICE**

In case of lamp breakage: [www.ledvance.com/brokenlamp](http://www.ledvance.com/brokenlamp)

**LOGISTICAL DATA**

Product code	Packaging unit (Pieces/Unit)	Dimensions (length x width x height)	Gross weight	Volume
4050300312187	Folding carton box 1	233 mm x 25 mm x 86 mm	144.70 g	0.50 dm <sup>3</sup>
4050300312194	Shipping carton box 10	275 mm x 105 mm x 245 mm	1631.00 g	7.07 dm <sup>3</sup>

The mentioned product code describes the smallest quantity unit which can be ordered. One shipping unit can contain one or more single products. When placing an order, for the quantity please enter single or multiples of a shipping unit.

**DISCLAIMER**

Subject to change without notice. Errors and omission excepted. Always make sure to use the most recent release.

## OSRAM DULUX F | Flat CFLni, 2 tubes, with 4-pin base for ECG/CCG operation

Product name	Product name ECG	EAN	Nominal current	Nominal wattage + Power loss	Luminous flux at 35 °C	Number of lighting outlets
DULUX F 36 W/827 2G10	QTi 1x14/24/21/39 GII	4008321383334	0.15 A	34.00 W	2750 lm	1
	QTi 2x14/24/21/39 GII	4008321383396	0.29 A	66.00 W	2800 lm	2
	QTi DALI 1x36 DIM	4050300870427	0.16 A	36.00 W	2900 lm	1
	QTi DALI 2x36 DIM	4050300870885	0.31 A	69.00 W	2900 lm	2
	QT-M 2x26-42/220-240 S	4008321110022	0.30 A	70.00 W	2700 lm	2
	QTP-DL 1x36-40		0.17 A	35.00 W	2800 lm	1
	QTP-DL 2x36-40	4008321117922	0.33 A	68.00 W	2800 lm	2
	QTP-M 1x26-42	4008321329134	0.16 A	35.00 W	2700 lm	1
	QTP-M 2x26-32	4008321329158	0.30 A	68.00 W	2700 lm	2
	QTP-OPTIMAL 1x18-40	4008321873743	0.15 A	34.00 W	2700 lm	1
	QTP-OPTIMAL 2x18-40	4008321873767	0.30 A	67.00 W	2700 lm	2