

52105020	DATA SHEET	
Valid from: 03.07.2018	SKINDICHT® DTN	

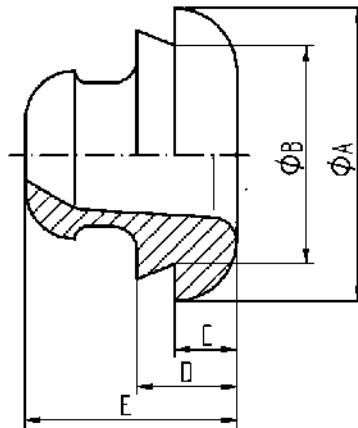
SKINDICHT® DTN can be used as multiple-duct sleeve.

Technical features:



Material	CR
Temperature range	-30 °C up to +100 °C
Colour	Black

Norm references:



Article designation	Ø A [mm]	Ø B [mm]	C [mm]	D [mm]	E [mm]	Clamping range [mm]	Article No.
DTN 1	23,5	17,5	5	8	17	4 - 9	52105020
DTN 2	28	20,5	5	8	20	7 - 12	52105030
DTN 3	33,5	25,5	5	8	22	12 - 17,5	52105040
DTN 4	42	33	5	8	24	18 - 23	52105050
DTN 5	50	40	6	10	24	25 - 29	52105060

For more information please see our current catalogue. Please do not hesitate to contact our laboratory if there are any questions regarding resistance against aggressive agents and special oil.

Creator: T. Dvoulety /PDP Released: DAMU1/PDP	Document: DB52105020EN Version: 01	Page 1 of 1
--	---------------------------------------	-------------