

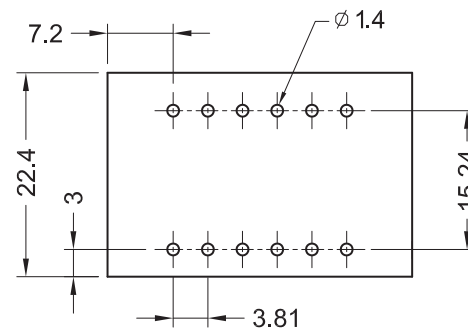
1

2

3

4

5



RECOMMENDED PCB LAYOUT - COMPONENT VIEW

## TECHNICAL CHARACTERISTICS

MATERIAL  
 INSULATOR: PA 66  
 FLAMABILITY RATING: UL94-V0  
 COLOR: GREEN  
 CONTACT MATERIAL: BRASS (CuZn)  
 PLATING: TIN PLATED

ENVIRONMENTAL  
 OPERATING TEMPERATURE: -40 UP TO 105°C  
 COMPLIANCE: LEAD FREE AND ROHS

ELECTRICAL  
 CURRENT RATING: 10A  
 WORKING VOLTAGE: 300VAC  
 WITHSTANDING VOLTAGE: 2000 V AC/MN  
 INSULATION RESISTANCE: >2000M OHM  
 CONTACT RESISTANCE: 20 mOhm MAX

STANDARD  
 CERTIFIED E315414

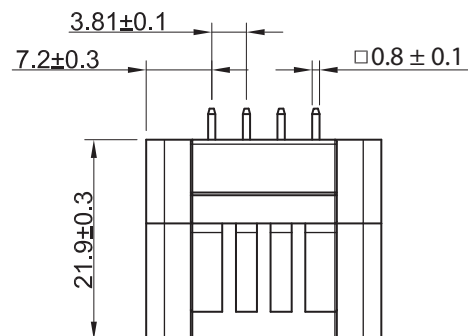
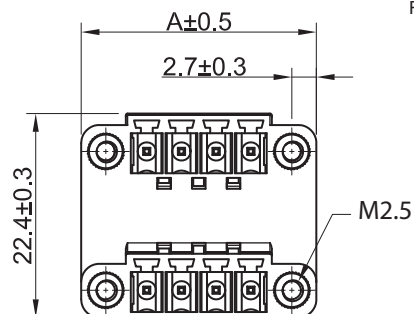
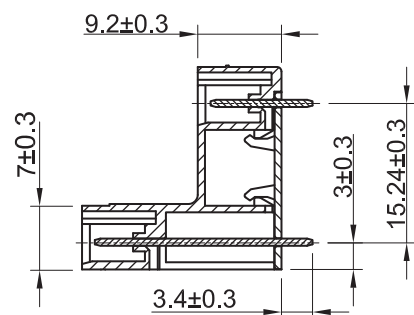
SCREW: M2.5  
 PITCH: 3.81mm

SOLDERING  
 JEDEC LEAD FREE WAVE SOLDERING PROCESS

PACKAGING  
 BOX

## DIMENSION

PINS	A
4	18.21
6	22.02
8	25.83
10	29.64
12	33.45
14	37.26
16	41.07



RoHS Compliant

G				PROJECTION: 	GENERAL TOLERANCE .X = +/- 0.2 .XX = +/- 0.15		
F							
E							
D	07-JUL-15	UPDATE	AK				
C	29-JUL-13	DWG REVIEW	QL				
B	15-MAY-13	UL	JC	APPROVAL: FBr	UNIT: MM	DESCRIPTION: SERIE 357B - 3.81MM DOUBLE LEVEL VERTICAL MALE PCB HEADER WITH FLANGES TYPE WR - TBL	
A	30-JAN-13	PDF	QL		SCALE:		
REV	DATE	FILE	BY		SHEET: 1/2		
					DRAW: QL	WERI PART NO: 691 357 300 0xxB	
						SIZE	<b>A4</b>

A

B

C

D

1

2

3

4

5

## Cautions and Warnings:

This electronic component is designed and developed with the intention for use in general electronics equipments.

Before incorporating the components into any equipments in the field such as aerospace, aviation, nuclear control, submarine, transportation, (automotive control, train control, ship control), transportation signal, disaster prevention, medical, public information network etc. where higher safety and reliability are especially required or if there is possibility of direct damage or injury to human body, Würth Elektronik must be asked for a written approval.

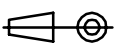

In addition, even electronic component in general electronic equipments, when used in electrical circuits that require high safety, reliability functions or performance, the sufficient reliability evaluation-check for the safety must be performed before by the user before usage.

A

B

C

RoHS Compliant

G				PROJECTION: 	GENERAL TOLERANCE .X = +/- 0.2 .XX = +/- 0.15		
F							
E							
D							
C				APPROVAL: JC	UNIT: MM	DESCRIPTION: DISCLAIMER	SIZE <b>A4</b>
B					SCALE:		
A	10-SEP-14	PDF	QL		SHEET: 2/2	WERI PART NO: DISCLAIMER	
REV	DATE	FILE	BY		DRAW: QL		

D