

Electrical and Acoustical Parameter

Rated Voltage (Vo-p) *	1.5
Max Input Voltage (Vo-p)	1.0-5.0
Rated Current (mA) *	max. 40.0
Coil Resistance (Ohm)	15±3
Sound pressure level (dBA/10cm) *	min. 75.0/typ. 80.0
Resonance Frequency (Hz±500)	2048
Remark:	* Applying rated voltage (Resonant frequency, 1/2 duty, Square wave)

Mechanical, Environmental Parameter

Contact / Wire	Pin
Operating temperature (°C)	-20 to +70
Storage temperature (°C)	-30 to +80
Material housing	PPS
Color housing	Black
Component weight (g)	2.0
Remark:	

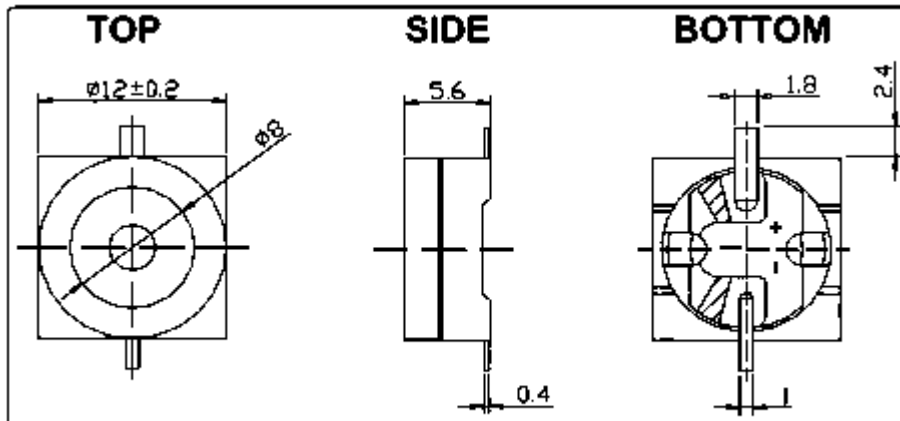
Approval

RoHs	<input checked="" type="checkbox"/>
UL	<input type="checkbox"/>

Designed by	MZ	18.12.2013	Dimensions without tolerance ±0.5mm	Index: 00	Current date
Released by	CB	18.12.2013	Drawing number	131218.1PSO	18.12.2013
Changed by					Page 1 of 5

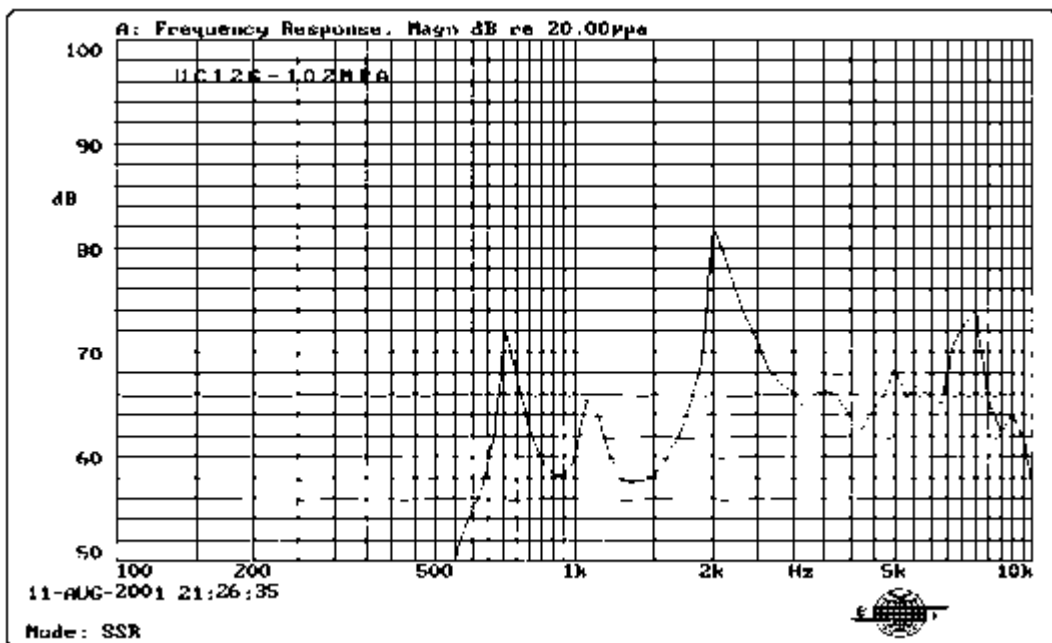
Drawing of Component

Unit:mm



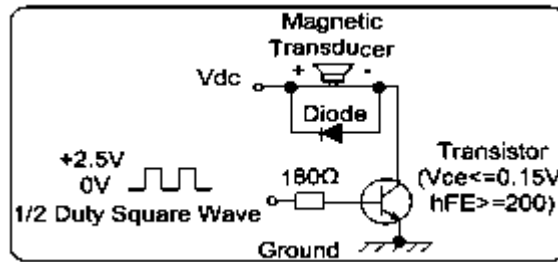
Tolerance: ± 0.5 mm except specified

Frequency Response

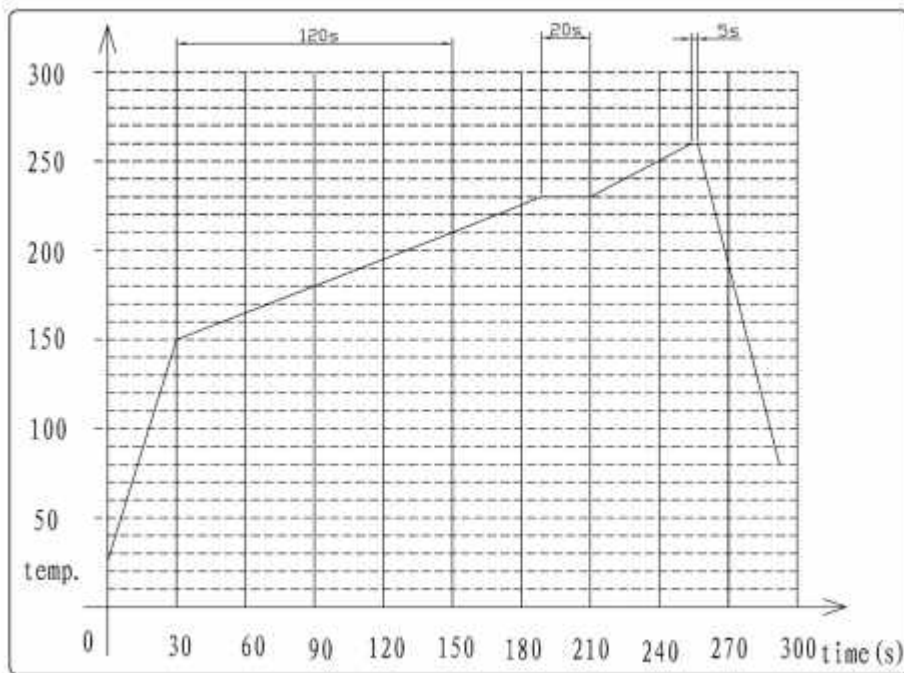


Designed by	MZ	18.12.2013	Dimensions without tolerance ± 0.5 mm	Index: oo	Current date
Released by	CB	18.12.2013	Drawing number	131218.1PSO	18.12.2013
Changed by					Page 2 of 5

Test Method

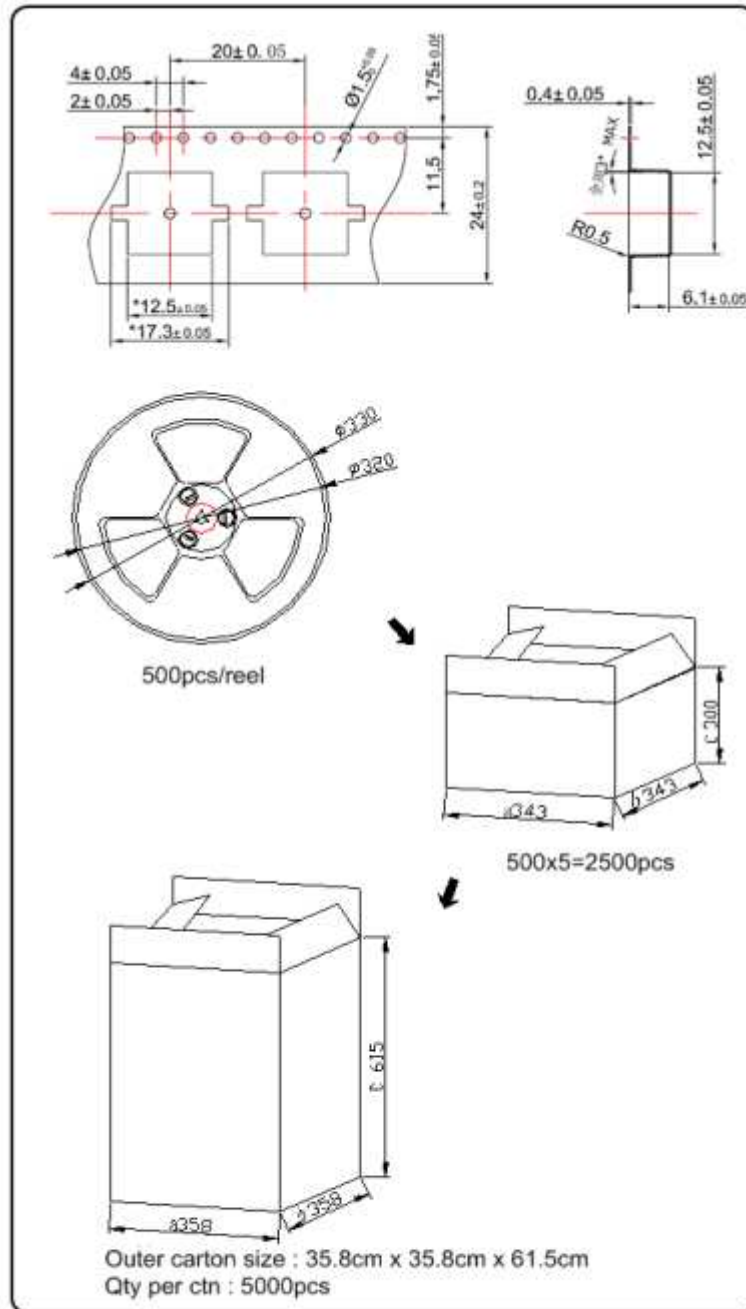


Recommended Solder Profile



Designed by	MZ	18.12.2013	Dimensions without tolerance $\pm 0.5mm$	Index: 00	Current date
Released by	CB	18.12.2013	Drawing number	131218.1PSO	18.12.2013
Changed by					Page 3 of 5

Packaging Information



Ctn size : 35.8cm x 35.8cm x 61.5cm
Qty per ctn : 5000pcs

Revision Table

Index Nr.	Date Reason - Procedure Change description	Drawing Date	implementation	Comments
			LS-Nr.: Date	

Designed by	MZ	18.12.2013	Dimensions without tolerance ±0.5mm	Index: oo	Current date
Released by	CB	18.12.2013	Drawing number	131218.1PSO	18.12.2013
Changed by					Page 4 of 5

Designed by	MZ	18.12.2013	Dimensions without tolerance $\pm 0.5\text{mm}$	Index: 00	Current date
Released by	CB	18.12.2013	Drawing number	131218.1PSO	18.12.2013
Changed by					Page 5 of 5