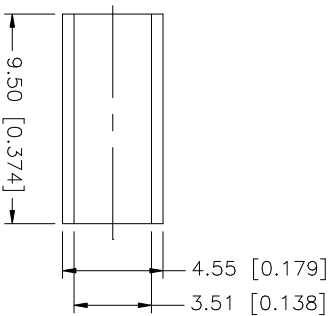
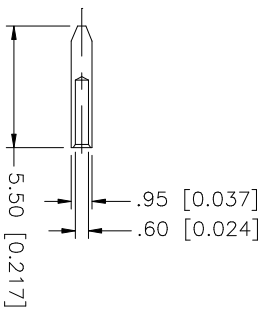
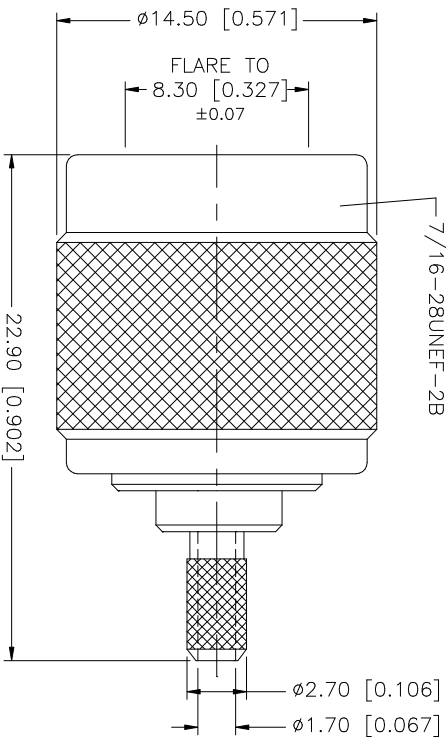
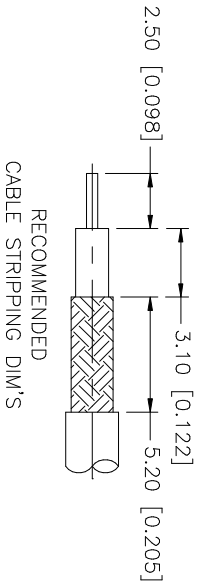


REV.	DATE	DESCRIPTION
A	12/01/99	UPDATE DRAWING ADD DOUBLE BRAID
B	05/23/03	UPDATE DRAWING FORMAT / MODIFY FERRULE



- NOTES:
1. CRIMPED FERRULE  
HEX SIZE .151"
  2. CRIMPED CONTACT PIN  
SQ. CRIMP SIZE 0.7mm

NO.	DESCRIPTION	MATERIAL	FINISH	QTY	DO NOT SCALE DRAWING	APPROVALS	DATE	PART DESCRIPTION
8								<p><b>Amphenol Connex</b></p> <p>TNC CRIMP PLUG – DOUBLE BRAID (RG-174/U, 188A/U, 316/U CABLE)</p> <p>PART NO. 122375</p>
7								
6								
5	CONTACT PIN	BRASS	GOLD	1				
4	FERRULE	COPPER	NICKEL	1				
3	CONTACT PIN	PHOS. BRONZE	GOLD	1				
2	INSULATOR	DELRI	NATURAL	1				
1	BODY	BRASS	NICKEL	1				
UNLESS OTHERWISE SPECIFIED DIMENSIONS ARE IN MILLIMETERS. DIMENSIONS IN [ ] ARE IN INCHES AND FOR CUSTOMER REFERENCE ONLY. TOLERANCES FOR MILLIMETERS ARE:					UNLESS OTHERWISE SPECIFIED DIMENSIONS ARE IN MILLIMETERS. DIMENSIONS IN [ ] ARE IN INCHES AND FOR CUSTOMER REFERENCE ONLY. TOLERANCES FOR MILLIMETERS ARE:			
					0.5 – 8mm ± 0.20mm			
					8 – 30mm ± 0.40mm			
					30 – 120mm ± 0.50mm			
UNLESS OTHERWISE SPECIFIED DIMENSIONS ARE IN MILLIMETERS. DIMENSIONS IN [ ] ARE IN INCHES AND FOR CUSTOMER REFERENCE ONLY. TOLERANCES FOR MILLIMETERS ARE:					UNLESS OTHERWISE SPECIFIED DIMENSIONS ARE IN MILLIMETERS. DIMENSIONS IN [ ] ARE IN INCHES AND FOR CUSTOMER REFERENCE ONLY. TOLERANCES FOR MILLIMETERS ARE:			
					.020 – .315 = ± 0.007"			
					.315 – 1.180 = ± 0.015"			
					1.180 – 4.724 = ± 0.020"			
CAD FILE						C:/122/122375.DWG		
DWG. NO.						122375.DWG		
REV.						B		
SIZE						A		
SCALE						NA		