

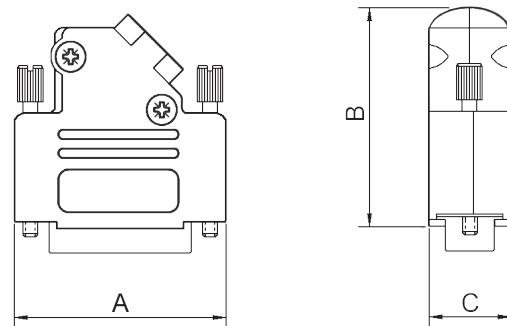
**TECHNICAL SPECIFICATIONS**

**D-Sub Hood:**

Material: Zinc, Black Plated  
 Operating Temperature: -40°C to +120°C  
 Cable Entry: 45° Side Entry  
 Thumbscrews: UNC 4-40 (Standard)  
 Cable O.D: Up to 11,5mm (Size 9-37)

**D-Sub High Density:**

Insulator: PBT, White, UL94 V-0  
 Shell: Stamped Steel, Tin Plated  
 Contact pins: Copper Alloy  
 Stamped & Formed pins: 100 inserts min  
 Contacts Plating: Selective Gold over Nickel  
 Operating Temperature: -55°C to +105°C  
 Withstanding voltage: 500V for 1 minute  
 Insulator resistance: 500MΩ min



**Features:**

- Available in sizes HD15-26-44-62
- Excellent EMI Shielding
- Re-openable
- Strain relief inserts ensure a secure termination
- Black Full Metal Jackscrew as standard

Size D45ZK	Dim A	Dim B	Dim C
9-way	31,0	36,3	14,5
15-way	39,5	40,3	14,5
25-way	53,2	40,3	14,5
37-way	69,7	40,3	14,5

**Ordering information:**

**Class 3 D-Sub Connector Kits (100 inserts min.)**

Size:	P/N - Kitted:	Product Code - MALE Conn. Kit
HD 15	6355-8104-01	D45ZK09-BK-HDP15-W-K
HD 26	6355-8104-02	D45ZK15-BK-HDP26-W-K
HD 44	6355-8104-03	D45ZK25-BK-HDP44-W-K
HD 62	6355-8104-04	D45ZK37-BK-HDP62-W-K

Size:	P/N - Kitted:	Product Code - FEMALE Conn. Kit
HD 15	6355-8104-11	D45ZK09-BK-HDS15-W-K
HD 26	6355-8104-12	D45ZK15-BK-HDS26-W-K
HD 44	6355-8104-13	D45ZK25-BK-HDS44-W-K
HD 62	6355-8104-14	D45ZK37-BK-HDS62-W-K

