

1060985-1 ✓ ACTIVE



TE Internal #: 1060985-1

RF Connectors, MCX RF Interface, Jack, RF Connector Mated
Outer Diameter (Approximate) .137 in [3.48 mm], 50 Ω , Snap-On,
6GHz Operating Frequency

[View on TE.com >](#)

Connectors > RF Coax Connectors > RF Connectors > MCX Connector: Male (Jack), Vertical, 50 Ohm



RF Interface: **MCX**

RF Connector Style: **Jack**

RF Connector Mated Outer Diameter (Approximate): **3.48 mm [.137 in]**

Impedance: **50 Ω**

RF Connector Coupling Mechanism: **Snap-On**

[All MCX Connector: Male \(Jack\), Vertical, 50 Ohm \(12\)](#)

Features

Product Type Features

RF Interface	MCX
RF Connector Style	Jack
Connector System	Cable-to-Cable
Sealable	No
Connector & Contact Terminates To	Printed Circuit Board

Configuration Features

Number of Mounting Legs	4
Number of Positions	1
PCB Mount Orientation	Vertical
Number of Coaxial Contacts	1

Electrical Characteristics

Impedance	50 Ω
-----------	-------------

Body Features



Body Shape	Circular
Body Material	Brass
Body Material Finish	Plated
Body Plating Material	Nickel

Contact Features

RF Connector Center Contact Underplating Material	Copper, Nickel
	1397 μ m
RF Connector Center Contact Plating Material	Gold
RF Connector Center Contact Material	Beryllium Copper

Termination Features

Termination Method to Printed Circuit Board	Through Hole - Solder
Termination Post & Tail Length	2.92 mm[.115 in]

Mechanical Attachment

PCB Mount Retention	Without
RF Connector Coupling Mechanism	Snap-On
Connector Mounting Type	Board Mount
Detent	Without

Dimensions

RF Connector Mated Outer Diameter (Approximate)	3.48 mm[.137 in]
Height Above PC Board	5.36 mm[.211 in]

Usage Conditions

Operating Temperature Range	-65 – 165 $^{\circ}$ C[-85 – 329 $^{\circ}$ F]
-----------------------------	--

Operation/Application

Operating Frequency	6 GHz
---------------------	-------

Packaging Features

Packaging Method	Carton
------------------	--------

Other

Dielectric Material	TFE Fluorocarbon
---------------------	------------------

Product Compliance

[For compliance documentation, visit the product page on TE.com>](#)



EU RoHS Directive 2011/65/EU	Compliant with Exemptions
EU ELV Directive 2000/53/EC	Compliant with Exemptions
China RoHS 2 Directive MIIT Order No 32, 2016	Restricted Materials Above Threshold
EU REACH Regulation (EC) No. 1907/2006	<p>Current ECHA Candidate List: JAN 2021 (211)</p> <p>Candidate List Declared Against: JAN 2021 (211)</p> <p>SVHC > Threshold:</p> <p>Pb (3.7% in Component Part)</p> <p>Article Safe Usage Statements: Do not eat, drink or smoke when using this product. Wash thoroughly after handling. Recycle if possible and dispose of the article by following all applicable governmental regulations relevant to your geographic location.</p>
Halogen Content	Low Bromine/Chlorine - Br and Cl < 900 ppm per homogenous material. Also BFR /CFR/PVC Free
Solder Process Capability	Pin-in-Paste capable to 260°C

Product Compliance Disclaimer

This information is provided based on reasonable inquiry of our suppliers and represents our current actual knowledge based on the information they provided. This information is subject to change. The part numbers that TE has identified as EU RoHS compliant have a maximum concentration of 0.1% by weight in homogenous materials for lead, hexavalent chromium, mercury, PBB, PBDE, DBP, BBP, DEHP, DIBP, and 0.01% for cadmium, or qualify for an exemption to these limits as defined in the Annexes of Directive 2011/65/EU (RoHS2). Finished electrical and electronic equipment products will be CE marked as required by Directive 2011/65/EU. Components may not be CE marked. Additionally, the part numbers that TE has identified as EU ELV compliant have a maximum concentration of 0.1% by weight in homogenous materials for lead, hexavalent chromium, and mercury, and 0.01% for cadmium, or qualify for an exemption to these limits as defined in the Annexes of Directive 2000/53/EC (ELV). Regarding the REACH Regulation, the information TE provides on SVHC in articles for this part number is based on the latest European Chemicals Agency (ECHA) 'Guidance on requirements for substances in articles' posted at this URL: <https://echa.europa.eu/guidance-documents/guidance-on-reach>

Compatible Parts

TE Part # 1060875-1
50 OHM MCX CABLE PLUG (NICKEL)

TE Part # 1060891-1
5837 5003 10,OSX RA CABLE PLUG

TE Part # 1060960-1
5858 0000 10

TE Part # 1060883-1
5834 7388 10,OSX CABLE JACK




TE Part # 1060787-1
5807 7985 09,OSX R/A CABL PLUG



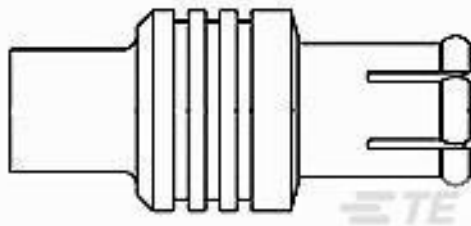
TE Part # 1060888-1
5837 5002 10



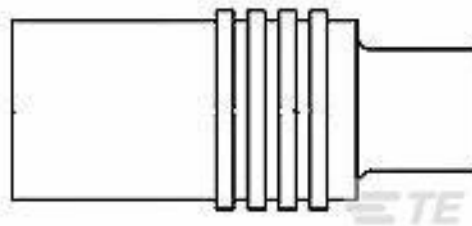
TE Part # 1060875-2
MCX CABLE PLUG, CRIMP ATTACH



TE Part # 1060778-1
5807 5001 09



TE Part # 1060772-2
5801 7947 09



TE Part # 1060774-2
5802 7947 09



TE Part # 1060811-2
5818 5002 09



TE Part # 1060813-2
5818 5003 09



TE Part # 1060869-1
50 OHM,MCX CABLE PLUG (NICKEL)



TE Part # 1060871-1
50 OHM MCX CABLE PLUG (GOLD).



TE Part # 1060872-1
50 OHM MCX CABLE PLUG (NICKEL)



TE Part # 1082804-1
5807 7947 09



TE Part # 1330723-3
5837 5025 09



TE Part # 1362990-1
9631 7179 10,OSX, 75 OHM



TE Part # 1362991-1
9637 7179 10,75 OHM OSX

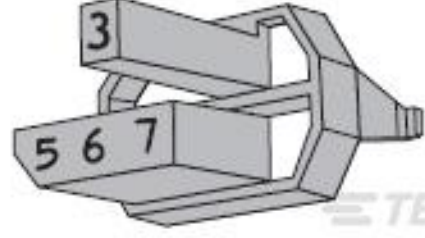


TE Part # 1363301-2
5837 5031 09

Customers Also Bought



TE Part #1-5499910-0
AMP-LATCH UNIVERSAL HEADERS



TE Part #100526-9
Z-PACK F.CODING KEY



TE Part #103906-2
03 MTE HDR SRRR LATCH .100CL



TE Part #103908-2
03 MTE HDR SRST LATCH W/HLDWN



TE Part #1055687-1
2367 0000 54, VERT PLUG



TE Part #103185-1
01 MODII HDR SRST B/A .100CL



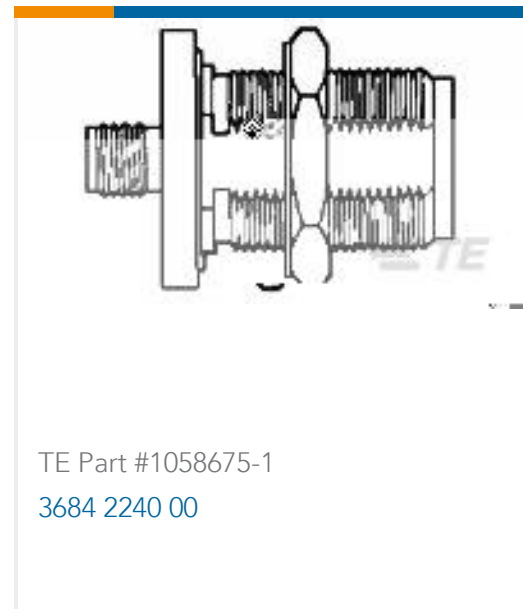
TE Part #103240-3
06 MODII HDR DRST B/A .100CL



TE Part #ZPF000000000019081
FDDBA 56-10-6 SN-K



TE Part #1061015-1
5863 0000 10, OSX PCB PLUG



TE Part #1058675-1
3684 2240 00

Documents

Product Drawings

[5862 5002 10, OSX JACK RECPT](#)

English

CAD Files

Customer View Model

[ENG_CVM_1060985-1_A.3d_igs.zip](#)

English

Customer View Model

[ENG_CVM_1060985-1_A.3d_stp.zip](#)

English

Customer View Model

[ENG_CVM_1060985-1_A.2d_dxf.zip](#)

English

3D PDF

English

By downloading the CAD file I accept and agree to the [Terms and Conditions](#) of use.

Datasheets & Catalog Pages

[MCX Connectors](#)

English

[1-1773725-8_RF_COAX_QRG](#)

English