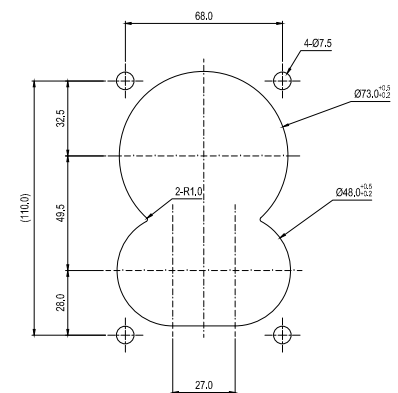
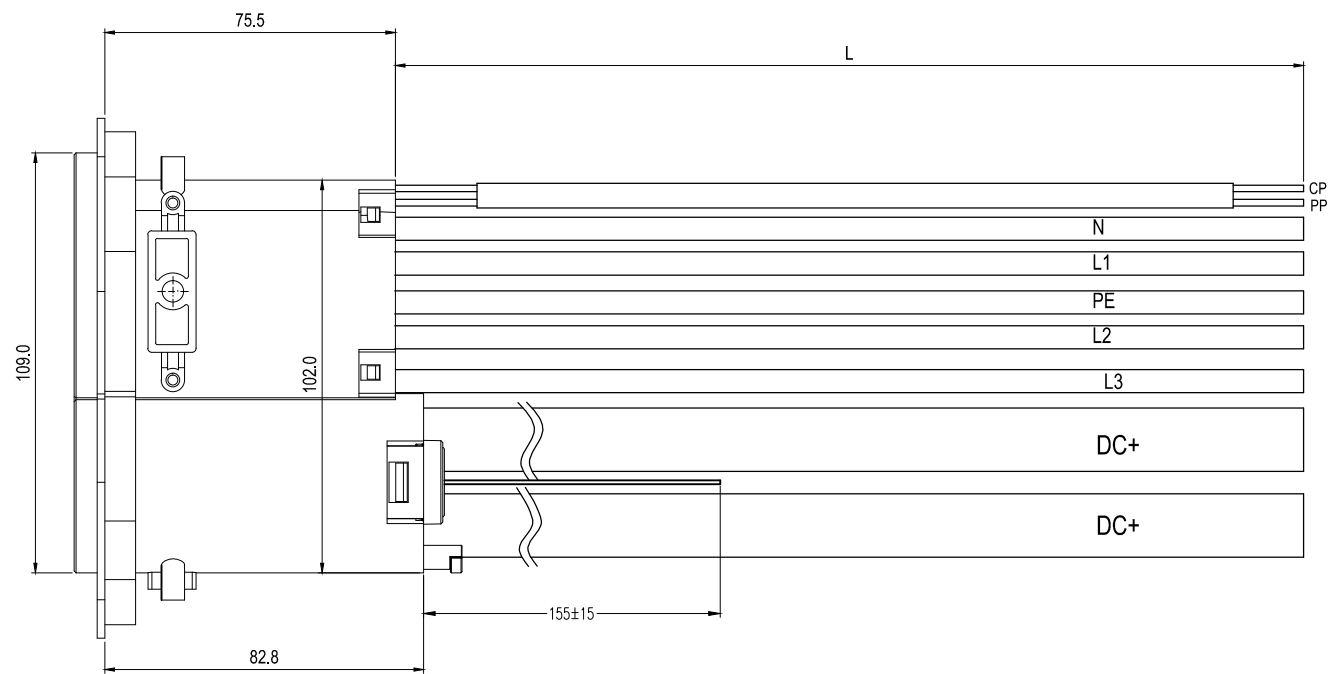
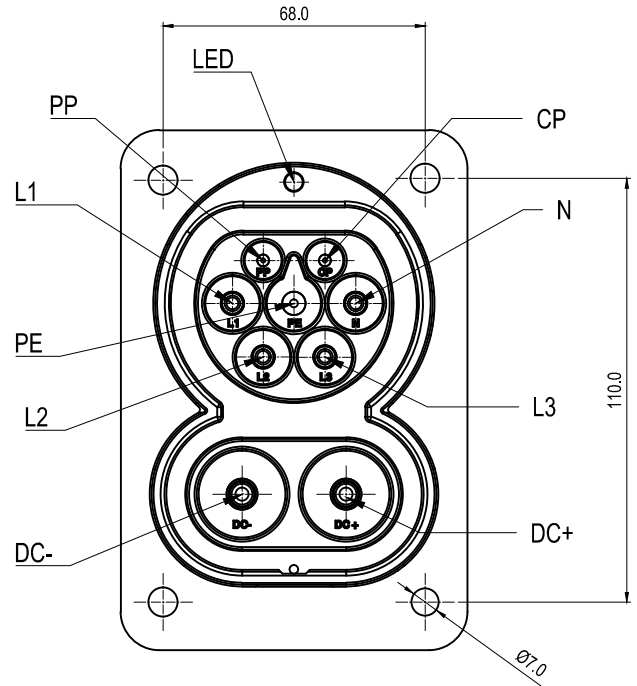
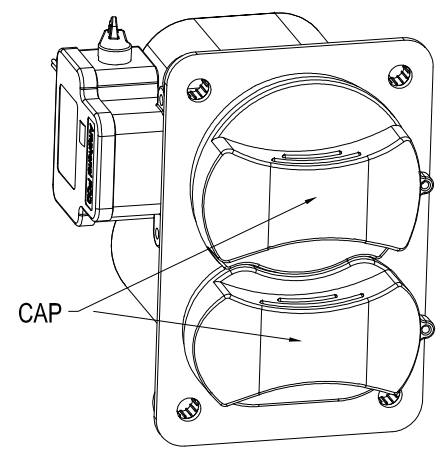


REV	ECN	DESCRIPTION	DATE	MODIFIED
B		PRE-RELEASE	2017-7-20	SKY.L

Amphenol PCD SZ
ORIGINAL
PDF Format
20 Jul.17R&D



Hole position of mounting plate

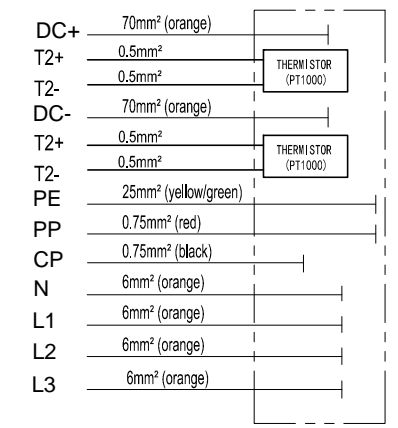


INSTALL THE SAMPLE

NOTES:

- 1.TECHNOLOGY SPECIFICATION:
1).OPERATING AMBIANT TEMPERATURE -30°C~50°C,
2).OPERATING VOLTAGE & RATE CURRENT:
PP & CP: 30V. DC 2A;
L1,L2,L3,N:480V. AC 32A;
DC+,DC-:1000V. DC 200A
- 2.REFERENCE IEC 62196-3:2014
- 3.MODE OF CONNECTION:
1).PP & CP
FIX MALE CONTACT
2).L1 & L2 & L3 & N & PE
FIX MALE CONTACT
3).DC+ & DC-
FIX MALE CONTACT

MODE OF CONNECTION:



Rated Voltage	DC 1000V
Rated current	200A
Cable specification DC power contacts	2x 70mm ²
Cable specification AC power contacts	4x 6mm ²
Cable specification signal contacts	2 x 0.75mm ²
Cable specification sensor contacts	4 x 0.5mm ²
Housing Material	PA66+GF
Contact Material	Aldary,Silver plating
Type of sensor	PT1000
Housing cloer	Black
Degree of Protection (plugged in)	IP44

HVCO-CF6-A-T-R8-SF970-LXXXX

LIST OF TOLERANCE

LENGTH	TOLERANCE
0~1000MM	±50
1000~5000MM	±100
>5000MM	±200

LENGTH
500MM:L0500
1000MM:L1000

DIMENSIONS ANSI Y14.5M UNITS: MM CAD FILE	TOLERANCES .X ± 0.5 .XX ±0.20 ANGLES ±0.5°	PROJECTION 	Amphenol Pcd Shenzhen		TITLE IEC COMBO FOR VEHICLE COUPLER SOCKET 200A	
			ENGR SKY.L	2017-7-20	SIZE A3	DWG NO. HVCOCF6ATR8SF970LXXXX
ORIGINAL NOT FOR CUSTOMER DISTRIBUTION	THIS DOCUMENT CONTAINS PROPRIETARY INFORMATION WHICH IS THE CONFIDENTIAL PROPERTY OF AMPHENOL PCD SHENZHEN		CHKD	APPD	REV B	SHEET 1 OF 1
			CODE:	SCALE 1:1	SHEET 1 OF 1	