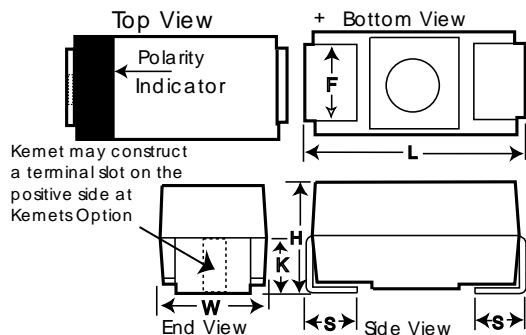


**KEMET Part Number: T491A104K035ZT**  
(B45196E6104K109)

Capacitor, tantalum, 0.1 uF, 3216, +/-10% Tol, 35V@85C



Dimensions (mm)		
Symbol	Dimension	Tolerance
L	3.2	+/-0.2
W	1.6	+/-0.2
H	1.6	+/-0.2
K	1.3	typ
F	1.2	+/-0.1
S	0.8	+/-0.3

**Notes:**

-In polarity stripe, at KEMET's option, type may be indicated: see catalog for explanation of symbols

-Old part number [Obsolete] was B45196E6104K109

General Information	
<b>Manufacturer:</b>	KEMET
<b>Construction:</b>	Standard Chip-MnO2

Specifications	
<b>Capacitance:</b>	0.1 uF
<b>Voltage DC @ 85C:</b>	35V
<b>Voltage DC @ 105C:</b>	29V
<b>Voltage DC @ 125C:</b>	23V
<b>Tolerance:</b>	+/-10%
<b>Application:</b>	General Purpose
<b>Temperature Range:</b>	-55/+125C
<b>Body Type:</b>	Molded Chip
<b>Footprint:</b>	3216
<b>Termination:</b>	Tin
<b>RoHS:</b>	Yes
<b>Leakage Current:</b>	0.5 uA
<b>Dissipation Factor:</b>	4%
<b>Impedance @ 100kHz:</b>	28 Ohm

Packaging Specifications	
<b>Package Kind:</b>	T&R
<b>Package Size:</b>	7in
<b>Package Quantity:</b>	2000