

# For lower-energy lighting

Tufvassons have a wide range of transformers and over fifty years' experience of making them ourselves. We offer safe lighting transformers with low running costs, and help you to select the right one. If you need a product that is not available, we will ensure it is made.



## Easy to install, easy to connect

The transformer is suitable for all kinds of low-voltage lighting, for 12 V AC and optimum efficiency in the light source. The light source will last longest if the recommendation for minimum loading is followed. The transformer is easy to install (keyhole socket) and to connect. The connection glands are specially designed to fit tightly round the cable. And of course, the product also has short-circuit and overload protection, and complies with the insurance companies' requirement for self-extinguishing plastic in the housing.

<b>Type:</b>	<b>PVS 60</b>						
<b>Part.no.:</b>	<b>6009-0030</b>						
<b>Input voltage:</b>	230V, 50-60 Hz; (N - L)						
<b>Output voltage:</b>	11.5V						
<b>Lamp power:</b>	max. 60 W (5 A), min. 35 W						
<b>Weight:</b>	1.3 kg						
<b>Encapsulation class:</b>	IP54						
<b>Insulation class:</b>	4.2 kV						
<b>Ambient temperature:</b>	max. 25 °C (at 35 °C, the transformer can supply a load of max. 50 W).						
<b>Design:</b>	<ul style="list-style-type: none"> <li>- Transformer potted in hard-setting plastic, with grey encapsulation made from impact resistant, self extinguishing thermoplastics.</li> <li>- Double insulated (earth connection not required).</li> <li>- Built-in, replaceable secondary low-voltage fuse 5 AT (5x20 mm).</li> <li>- Primary entry gland for cable diameter max. 13 mm, 2-pole 4 mm<sup>2</sup> terminal.</li> <li>- Secondary entry gland for cable diameter max. 13 mm, 2-pole 4 mm<sup>2</sup> terminal.</li> <li>- Max torque for the screw terminal is 0.5 Nm.</li> </ul>						
<b>Mounting:</b>	Wall mounting with 2 screws. Upper hole is a keyhole slot.						
<b>Manufacturing standard:</b>	<table> <tr> <td>Security:</td> <td>EN 61 558-1; EN 61 558-2-6</td> </tr> <tr> <td>Emissions:</td> <td>EN 61 000-6-3, IEC 62041</td> </tr> <tr> <td>Immunity:</td> <td>EN 61 000-6-2, IEC 62041</td> </tr> </table>	Security:	EN 61 558-1; EN 61 558-2-6	Emissions:	EN 61 000-6-3, IEC 62041	Immunity:	EN 61 000-6-2, IEC 62041
Security:	EN 61 558-1; EN 61 558-2-6						
Emissions:	EN 61 000-6-3, IEC 62041						
Immunity:	EN 61 000-6-2, IEC 62041						
<b>Other information:</b>	If demanded by the installation regulations, the transformer must be connected by an all-pole switch in permanent installations.						

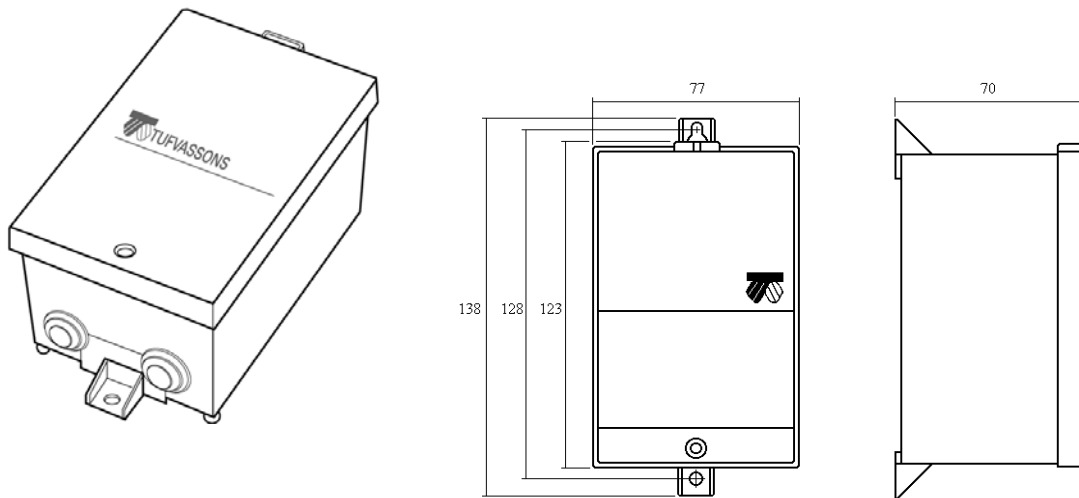


11/11

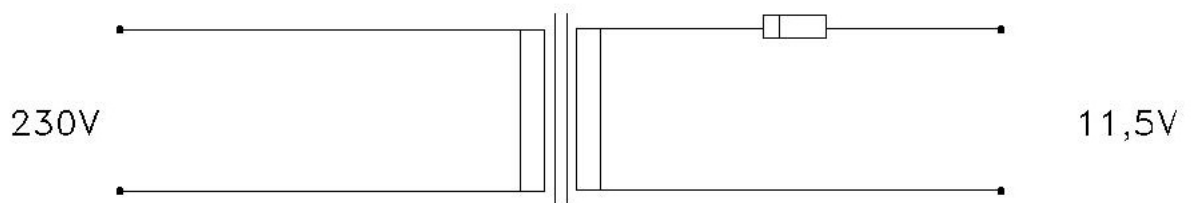
Tufvassons Transformator AB · Märstavägen 20 · 193 40 Sigtuna · Phone +46 (0) 8 594 809 00  
Fax +46 (0) 8 592 527 68 · E-mail reception@tufvassons.se · www.tufvassons.se

A company in the ADDTECH group.

## Product illustration



## Wiring diagram



## Loading diagram

