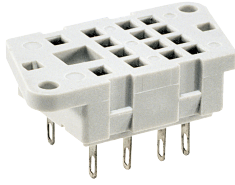


# Plug-in sockets and accessories

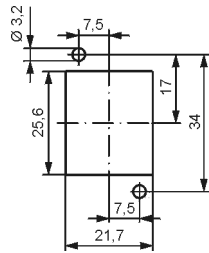
## G4/2

For R2N

Solder terminals  
40,5 x 21,5 x 18,1 mm  
Two poles  
12 A, 250 V AC

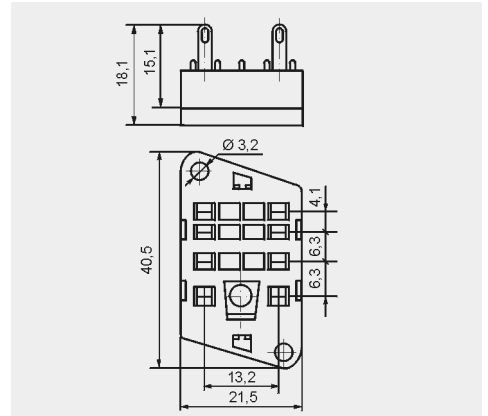


### Pinout of openings on panel mounting



Accessories G4 1053

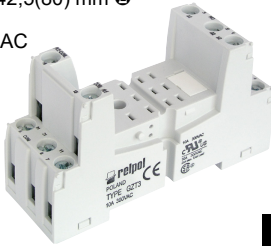
### Dimensions



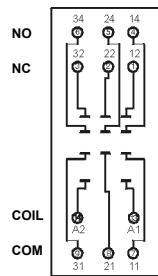
## GZT3

For R3N

Screw terminals  
Max. tightening moment  
for the terminal: 0,7 Nm  
35 mm rail mount  
acc. to PN-EN 60715  
or on panel mounting  
76,3 x 27 x 42,5(80) mm Ⓜ  
Three poles  
10 A, 300 V AC



### Connection diagram



ZGGZ4



GZT4-0040

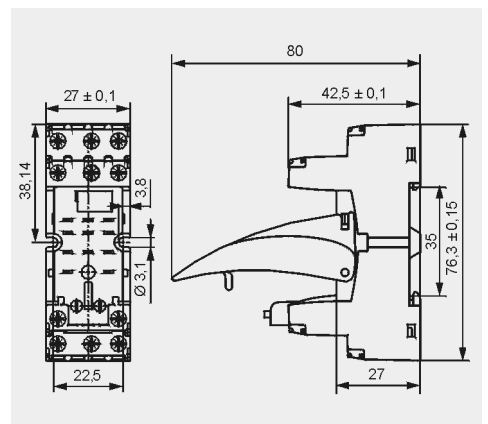
G4 1052



GZT4-0035

Module type M...

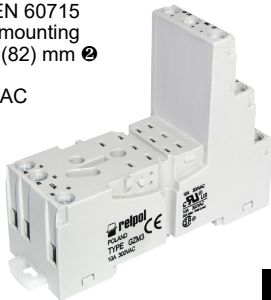
### Dimensions



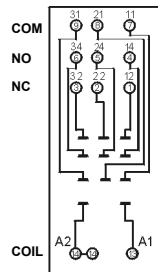
## GZM3

For R3N

Screw terminals  
Max. tightening moment  
for the terminal: 0,7 Nm  
35 mm rail mount  
acc. to PN-EN 60715  
or on panel mounting  
75 x 27 x 61(82) mm Ⓜ  
Three poles  
10 A, 300 V AC



### Connection diagram



ZGGZ4



GZT4-0040

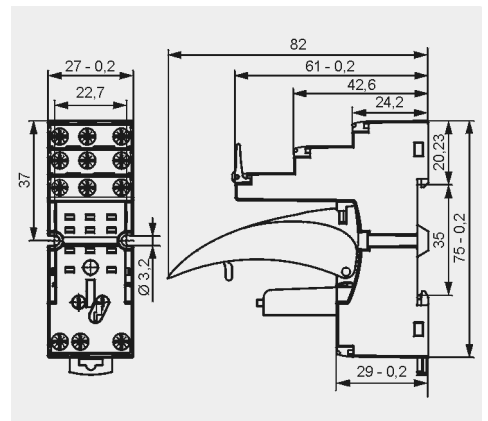
G4 1052



GZT4-0035

Module type M...

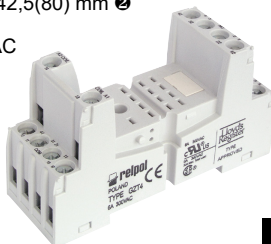
### Dimensions



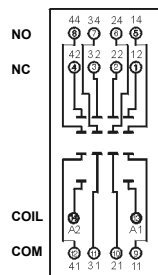
## GZT4 Ⓜ

For R4N, T-R4

Screw terminals  
Max. tightening moment  
for the terminal: 0,7 Nm  
35 mm rail mount  
acc. to PN-EN 60715  
or on panel mounting  
76,3 x 27 x 42,5(80) mm Ⓜ  
Four poles  
6 A, 300 V AC



### Connection diagram



ZGGZ4

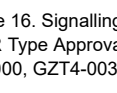


TR4-2000



GZT4-0040

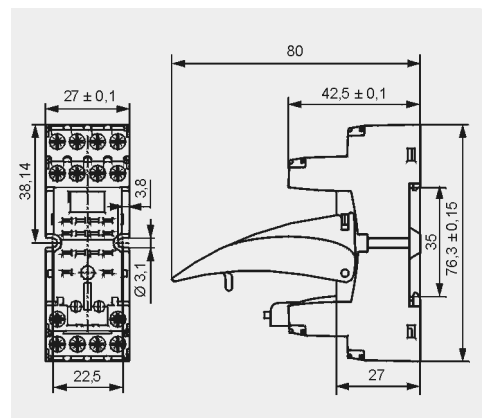
G4 1052



GZT4-0035

Module type M...

### Dimensions



Ⓜ Mounting and sub-assemblies of accessories in the socket - see page 16. Signalling / protecting modules type M... - see page 17. Ⓜ In the bracket the height of socket with retainer / retractor clip is shown. Ⓜ Have obtained LR Type Approval Certificate (Lloyd's Register). Ⓜ For R4N relays: G4 1052, GZT4-0040, GZMB-0040, GZT4-0035, TR, module type M...; for T-R4 relays: TR4-2000, GZT4-0035, TR.