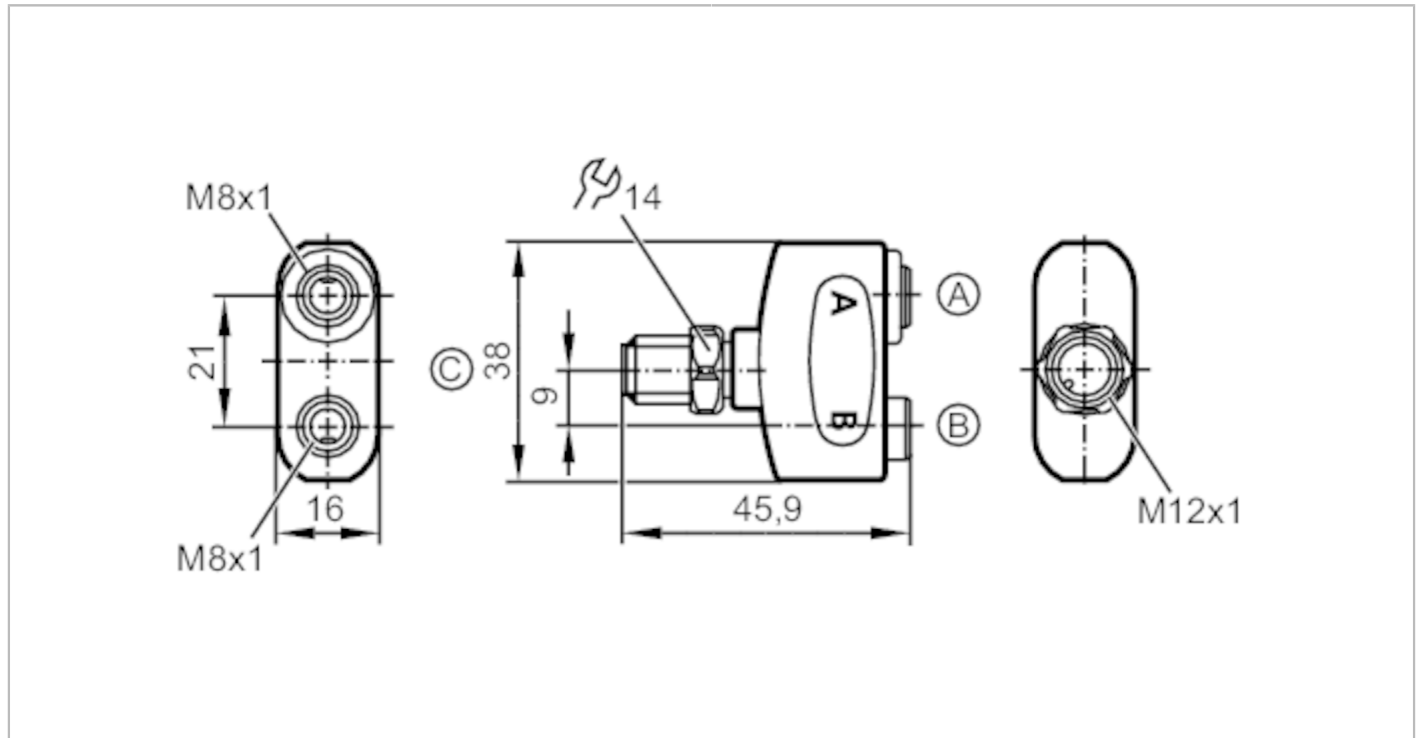


EBF012



Y-splitter

ZDO2F030VAS0000-00STGH040VAS



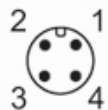
Application	
Special feature	Free from silicone; Gold-plated contacts
Free from silicone	yes
Electrical data	
Operating voltage [M]	< 50 AC / < 60 DC
Protection class	III
Max. current load total [A]	3
Operating conditions	
Ambient temperature [°C]	-25...80
Protection	IP 65; IP 67; IP 68; IP 69K
Mechanical data	
Weight [g]	28.8
Materials	housing: PA grey; Halogen-free; Sealing: EPDM
Material nut	stainless steel (1.4404 / 316L) / stainless steel (1.4404 / 316L)
Remarks	
Pack quantity	1 pcs.
Electrical connection	
, PUR; flame-retardant (IEC 60332-2, UL: FT2)	
Electrical connection - plug	
Connector: 1 x M12; Locking: stainless steel (1.4404 / 316L); Contacts: gold-plated; Tightening torque: 0.6...1.5 Nm; Take into account the maximum value of the counterpart!	

EBF012



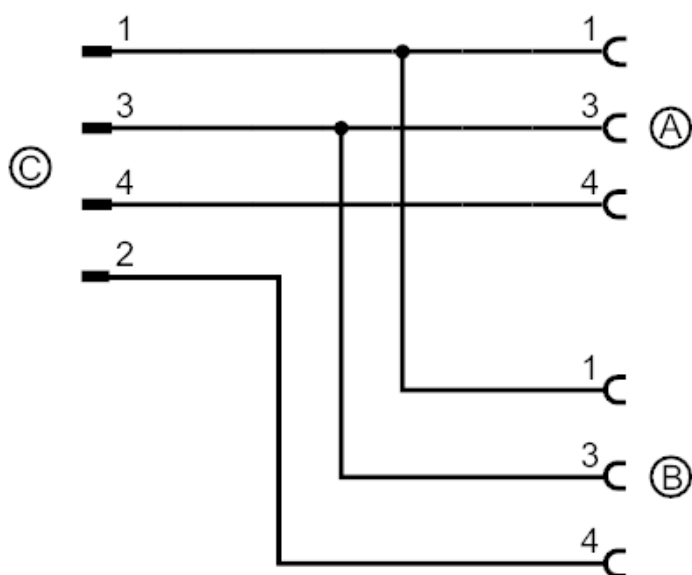
Y-splitter

ZDO2F030VAS0000-00STGH040VAS



Electrical connection

Connection



Electrical connection - socket

Connector: 2 x M8; Locking: stainless steel (1.4404 / 316L); Contacts: gold-plated; Tightening torque: 0.3...0.5 Nm

