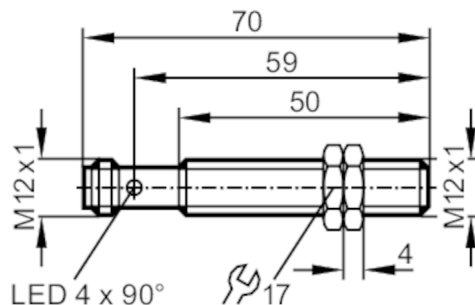


IFS216



Inductive sensor

IFK3002-BPKG/M/US-104-DPS



Product characteristics

| | |
|--------------------|------------------|
| Electrical design | PNP |
| Output function | normally open |
| Sensing range [mm] | 2 |
| Housing | threaded type |
| Dimensions [mm] | M12 x 1 / L = 70 |

Application

| | |
|-----------------|--|
| Special feature | Gold-plated contacts |
| Application | Industrial applications / factory automation |

Electrical data

| | |
|-----------------------------|------------|
| Operating voltage [V] | 10...36 DC |
| Current consumption [mA] | < 10 |
| Protection class | II |
| Reverse polarity protection | yes |

Outputs

| | |
|--|---------------|
| Electrical design | PNP |
| Output function | normally open |
| Max. voltage drop switching output DC [V] | 2.5 |
| Permanent current rating of switching output DC [mA] | 100 |
| Switching frequency DC [Hz] | 700 |
| Short-circuit protection | yes |
| Type of short-circuit protection | pulsed |
| Overload protection | yes |

Detection zone

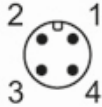
| | |
|----------------------------|----------|
| Sensing range [mm] | 2 |
| Real sensing range Sr [mm] | 2 ± 10 % |
| Operating distance [mm] | 0...1.6 |

IFS216



Inductive sensor

IFK3002-BPKG/M/US-104-DPS

| Accuracy / deviations | | |
|---|---------------------------|---|
| Correction factor | | steel: 1 / stainless steel: 0.7 / brass: 0.5 / aluminium: 0.5 / copper: 0.4 |
| Hysteresis | [% of Sr] | 1...20 |
| Switch point drift | [% of Sr] | -10...10 |
| Operating conditions | | |
| Ambient temperature | [°C] | -25...70 |
| Protection | | IP 67 |
| Tests / approvals | | |
| EMC | EN 61000-4-2 ESD | 4 kV CD / 8 kV AD |
| | EN 61000-4-3 HF radiated | 10 V/m |
| | EN 61000-4-4 Burst | 2 kV |
| | EN 61000-4-5 Surge | 0,5 kV |
| | EN 61000-4-6 HF conducted | 10 V |
| | EN 55011 | class B |
| MTTF | [years] | 1835 |
| UL approval | Ta | 0...40 °C |
| | Enclosure type | Type 1 |
| | voltage supply | Hazardous voltage |
| | File number UL | E174191 |
| Mechanical data | | |
| Weight | [g] | 30.6 |
| Housing | | threaded type |
| Mounting | | flush mountable |
| Dimensions | [mm] | M12 x 1 / L = 70 |
| Thread designation | | M12 x 1 |
| Materials | | brass white bronze coated; sensing face: PBT orange |
| Displays / operating elements | | |
| Display | switching status | 4 x 90° LED, yellow |
| Accessories | | |
| Accessories (supplied) | | lock nuts: 2 |
| Remarks | | |
| Pack quantity | | 1 pcs. |
| Electrical connection - plug | | |
| Connector: 1 x M12; Contacts: gold-plated | | |
|  | | |

IFS216



Inductive sensor

IFK3002-BPKG/M/US-104-DPS

Connection

