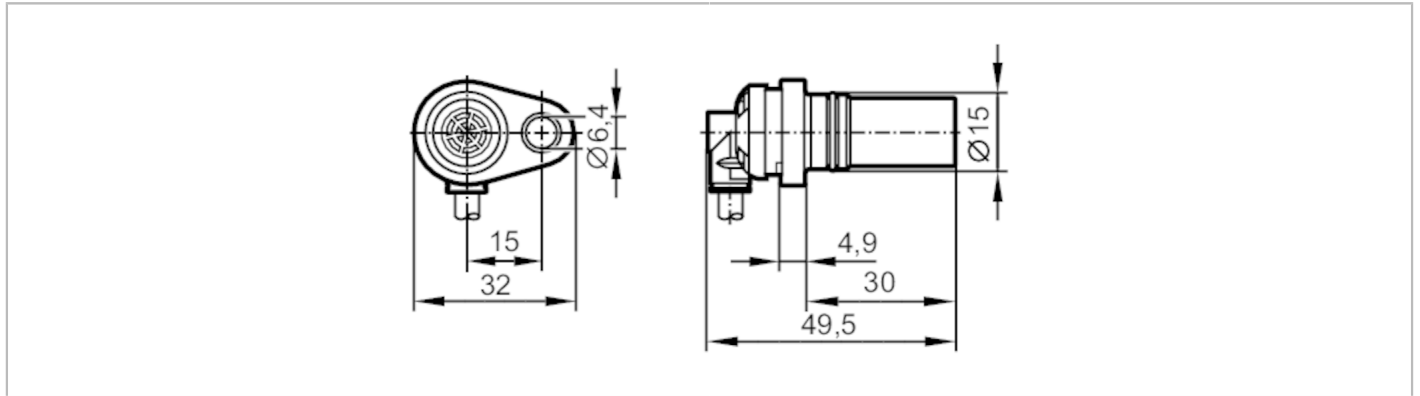


MX5015



Speed sensor

MXD41,7 ANOG/H/2M/ZH



| Product characteristics | | |
|---|-------------------|---|
| Electrical design | | NPN |
| Sensing range | [mm] | 1.7 |
| Dimensions | [mm] | Ø 15 / L = 49.5 |
| Electrical data | | |
| Operating voltage | [V] | 7...30 DC |
| Current consumption | [mA] | < 30 |
| Protection class | | III |
| Reverse polarity protection | | no |
| Outputs | | |
| Electrical design | | NPN |
| Permanent current rating of switching output DC | [mA] | 50 |
| Switching frequency DC | [Hz] | 1...15000 |
| Detection zone | | |
| Sensing range | [mm] | 1.7 |
| Operating distance | [mm] | 1 |
| Operating conditions | | |
| Ambient temperature | [°C] | -32...140 |
| Protection | | IP 65; IP 68; IP 69K |
| Tests / approvals | | |
| EMC | EN 61000-4-2 | 4 kV CD / 8 kV AD |
| | EN 61000-4-3 | 10 V/m |
| | EN 61000-4-4 | 2 kV |
| | EN 61000-4-6 | 10 V |
| | EN 61000-4-8 | 30 A/m |
| Shock resistance | DIN EN 60068-2-27 | 30 g 11 ms half-sine; 3 shocks each in every direction of the 3 coordinate axes |
| Salt spray test | EN 60068/2-11 | 96 h 5 % NaCl bei 25 °C |

MX5015



Speed sensor

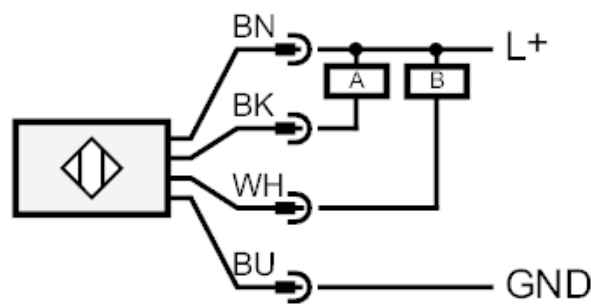
MXD41,7 ANOG/HI/2M/ZH

| Mechanical data | | |
|----------------------|------|---|
| Weight | [g] | 82.7 |
| Dimensions | [mm] | Ø 15 / L = 49.5 |
| Materials | | socket: brass; housing: PA; O-ring: FKM |
| Tightening torque | [Nm] | 7 |
| Toothed wheel module | [mm] | 1.25 |
| Installation length | [mm] | 30 |

| Remarks | |
|---------------|--------|
| Pack quantity | 1 pcs. |

| Electrical connection | |
|---|--|
| Cable: 2 m, PUR; 4 x 0.34 mm ² | |

Connection

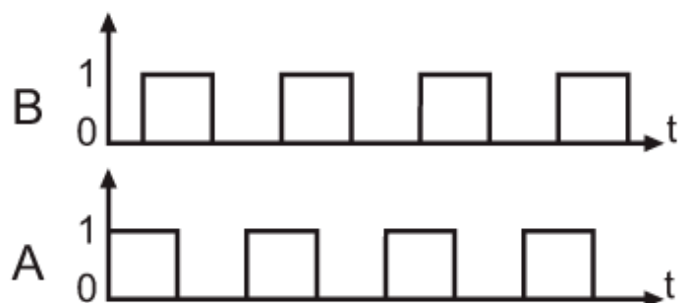


A: Pulse output

B: Pulse output

Diagrams and graphs

switching signals



phase shift 90° +/- 20°

pulse/pause ratio 50 % +/- 10 %

Using toothed wheels with a different modulus has an influence on the sensing range and the phase position.