

SUPPRESSOR FOR SIEMENS CONTACTOR

Diode combination, 24 VDC, 10 W

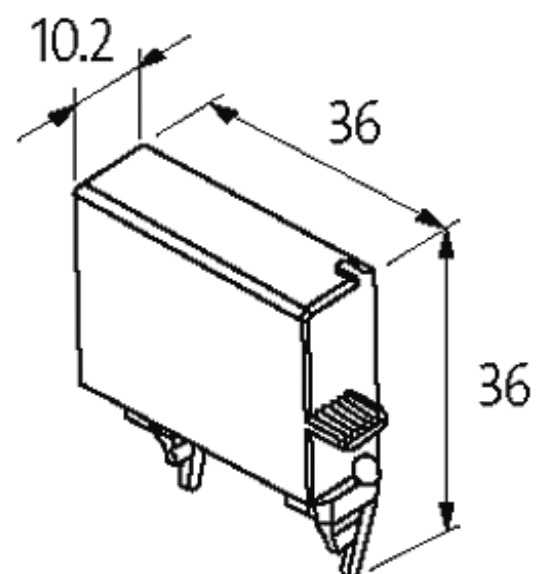
24 V AC/DC

Diode

For other configurations and voltages, please inquire

[Link to Product](#)

Illustration





Diode

Product may differ from Image

Approvals



Appropriate contactors

3 RT 1.3/1.4

Technical Data

| | |
|------------------|---|
| Damping factor | approx. 1.5 × UN |
| Material | Flame retardant plastic acc. to (UL 94) |
| Connection wires | Plug contact |

General data

| | |
|----------------------|---------------|
| Dimensions H × W × D | 36×10.2×36 mm |
| Temperature range | -20...+70 °C |

Commercial data

| | |
|------------------------|----------|
| country of origin | CZ |
| customs tariff number | 85363010 |
| minimum order quantity | 1 |