



COMPACT SWITCH 30MM WIDE W. CONNECTING CABLE 2M SNAP-ACTION CONTACTS 1NO+1NC ROUNDED PLUNGER, W. EXTERNAL SEAL,

Product designation	compact switch	
General technical data:		
Product function		Yes
<ul style="list-style-type: none"> • positive opening 		
Insulation voltage		
<ul style="list-style-type: none"> • Rated value 	V	400
Degree of pollution		3
Shock resistance		30g / 11 ms
Vibration resistance		0.35 mm / 5g
Surge voltage resistance Rated value	kV	4
Mechanical service life (switching cycles)		
<ul style="list-style-type: none"> • typical 		10 000 000
Electrical endurance (switching cycles)		
<ul style="list-style-type: none"> • at AC-15 at 230 V typical 		100 000
Electrical endurance (switching cycles) with contactor 3RH11, 3RT1016, 3RT1017, 3RT1024, 3RT1025, 3RT1026 typical		500 000
Electrical operating cycles in one hour with contactor 3RH11, 3RT1016, 3RT1017, 3RT1024, 3RT1025, 3RT1026		1 800
Thermal current	A	10
Material of the enclosure of the switch head		metal
Protection class IP		IP67
Equipment marking		
<ul style="list-style-type: none"> • acc. to DIN EN 61346-2 • acc. to DIN EN 81346-2 		B B

Active principle		mechanical
Repeat accuracy	mm	0.05
Explosion protection category for dust		none
Explosion protection category for gas		none
Minimum actuating force in activation direction	N	20
Operating current at AC-15		
• at 230 V Rated value	A	3
Operating current		
• at DC-13 at 125 V Rated value	A	0.55

Enclosure:

Design of the housing		block
Material of the enclosure		metal
Coating of the enclosure		painted
Design of the housing acc. to standard		No
Material of cable sheath		PVC

Drive Head:

Design of the operating mechanism		rounded plunger
Shape of the switch head		rounded
Design of the switching function		snap-action contact

Connections/ Terminals:

Type of electrical connection		cable connection 5m x 0.75 mm ² PVC
--------------------------------------	--	--

Communication/ Protocol:

Design of the interface		without
--------------------------------	--	---------

Ambient conditions:

Ambient temperature		
• during operation	°C	-25 ... +85
• during storage	°C	-25 ... +85

Installation/ mounting/ dimensions:

mounting position		any
Mounting type		screw fixing

Certificates/ approvals:

General Product Approval	Declaration of Conformity	other
---------------------------------	----------------------------------	--------------



[Confirmation](#)

Further information

Information- and Downloadcenter (Catalogs, Brochures,...)

<http://www.siemens.com/industrial-controls/catalogs>

Industry Mall (Online ordering system)

<http://www.siemens.com/industrymall>

Cax online generator

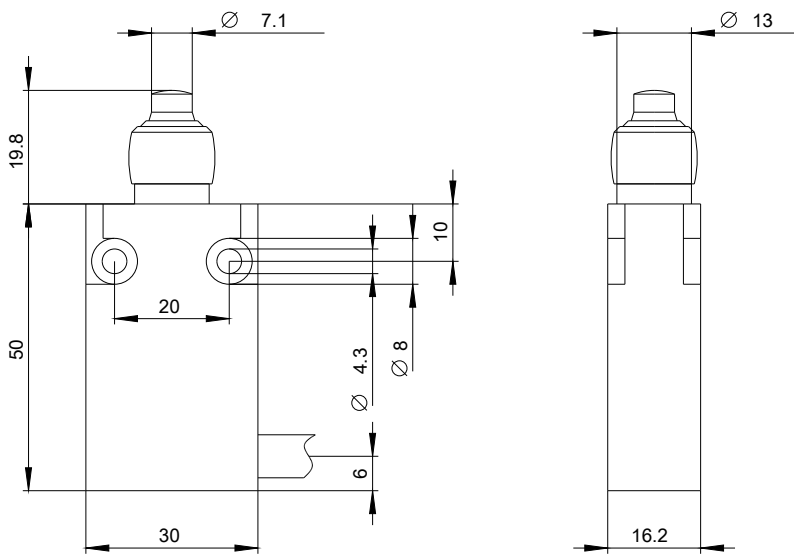
<http://support.automation.siemens.com/WW/CAXorder/default.aspx?lang=en&mfb=3SE54130CC221EA2>

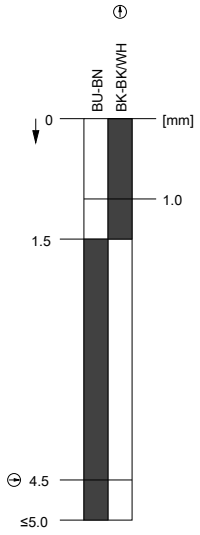
Service&Support (Manuals, Certificates, Characteristics, FAQs,...)

<http://support.automation.siemens.com/WW/view/en/3SE54130CC221EA2/all>

Image database (product images, 2D dimension drawings, 3D models, device circuit diagrams, EPLAN macros, ...)

http://www.automation.siemens.com/bilddb/cax_de.aspx?mfb=3SE54130CC221EA2&lang=en





last modified:

09.03.2015