

Seating Pins • adjustable

22690.0616



Product Description

The adjustable seating pins with induction hardened bearing surface can be used as seats and stops.

Material

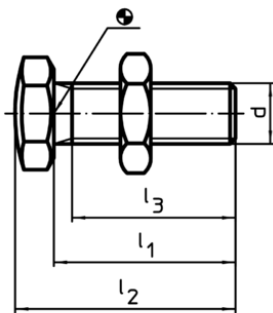
Seating Pins

- Heat-treated steel, tempered, quality 10.9, blackened / bearing surface induction hardened

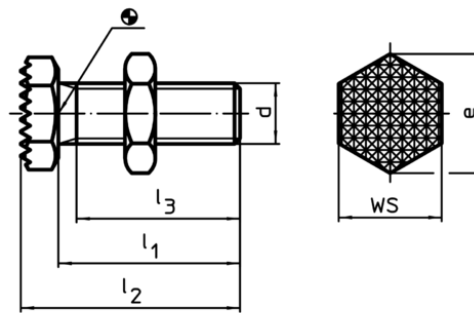
Nut

- Heat-treated steel, tempered, quality 8.8 (ISO 4035), blackened

Drawing



picture 1

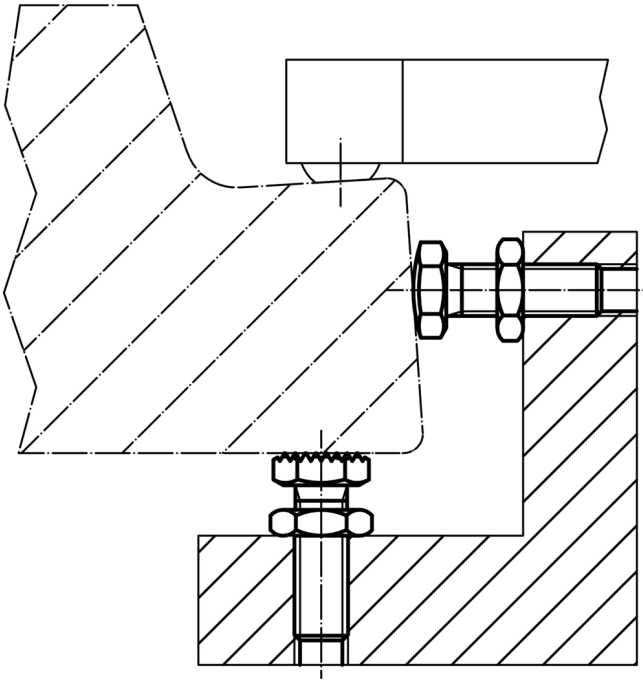


picture 2

Order information

d	l ₁ ±1.5	Dimensions			e	WS [mm]	[g]	Art. No.
		l ₂ ±1.5 [mm]	l ₃ min.					
bearing surface spherical – picture 1								
M16	40	49.5	34		27.7	24	102	22690.0616

Application example



Compliance

RoHS compliant

Compliant according to Directive 2011/65/EU and Directive 2015/863

Does not contain SVHC substances

No SVHC substances with more than 0.1% w/w contained - SVHC list [REACH] as of 10.06.2022

Does not contain Proposition 65 substances

No Proposition 65 substances included
<https://www.P65Warnings.ca.gov/>

Free from Conflict Minerals

This product does not contain any substances designated as "conflict minerals" such as tantalum, tin, gold or tungsten from the Democratic Republic of Congo or adjacent countries.