

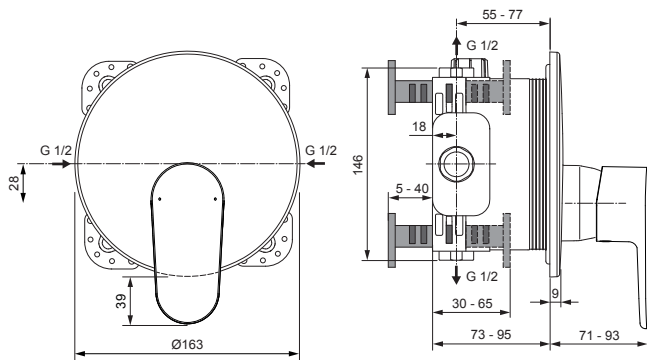
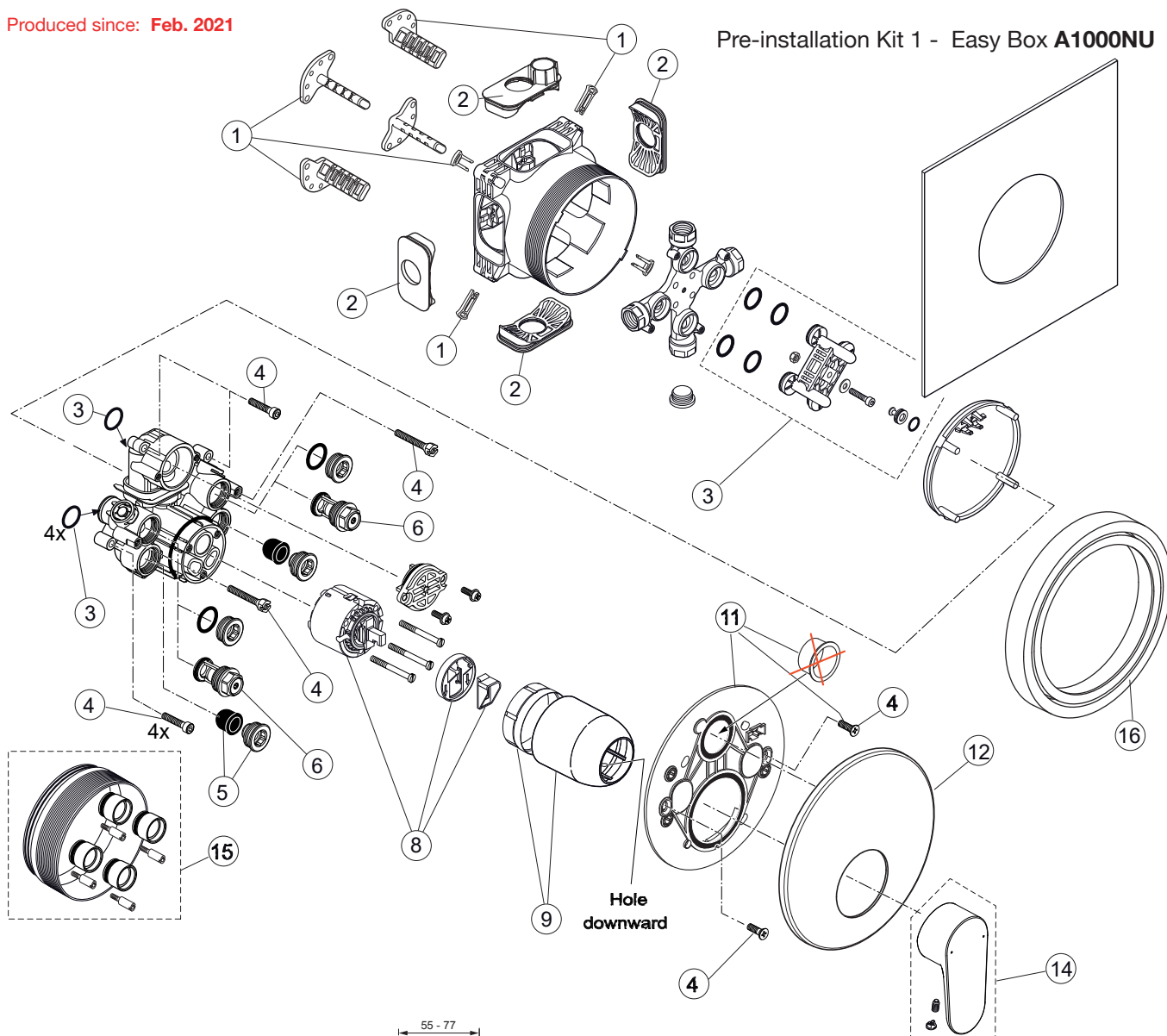


# Ceraphine Model O A7349..

Ideal Standard

Produced since: Feb. 2021

Pre-installation Kit 1 - Easy Box A1000NU



Body and Designparts Kit 2 - A7349AA

Pos.	Description	Part-Number	Qty.	Pos.	Description	Part-Number	Qty.
1	Install. depth adjust.	A 963 131 NU	1 Set	15	Extension kit 20mm	A 960 704 NU	1 Set
2	Side sealing	A 963 132 NU	1 Set	16	Extension kit 40mm	A 962 476 NU	1 Set
3	Flushing device cpl.	A 963 146 NU	1 Set		Distanzframe 20mm	A 6677 AA	1 Set
4	Screw set complete	A 960 890 NU*	1 Set				
5	Low noise insert	A 960 891 NU	1 pcs				
6	Stop valve	A 960 706 NU	2 pcs				
8	Cartridge with ECO-Kit	A 960 500 NU	1 Set				
9	Cover + clamping + O-ring	A 960 893 AA	1 Set				
11	Escutcheon holder cpl.	A 860 897 NU	1 Set				
12	Escutcheon B/S plane	A 860 946 AA	1 pcs				
14	Lever cpl. with Logo ISI	A 861 414 AA	1 Set				

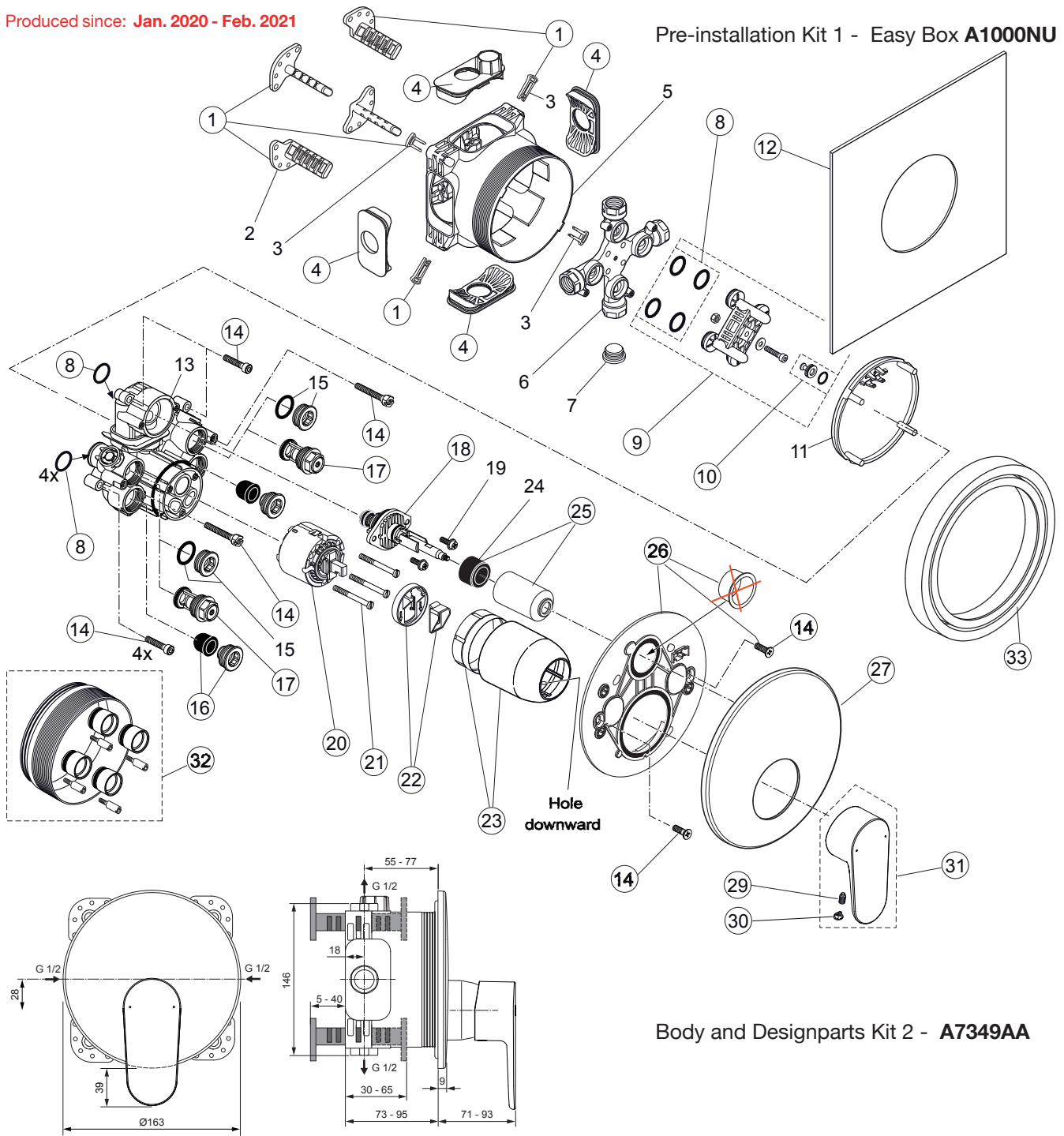
\*Universal set (not all parts needed)

Ceraphine Model O

# Cerafine Model O A7349..

Produced since: Jan. 2020 - Feb. 2021

Pre-installation Kit 1 - Easy Box **A1000NU**



Body and Designparts Kit 2 - **A7349AA**

Pos.	Description	Part-Number	Qty.	Pos.	Description	Part-Number	Qty.
1	Install. depth adjust. + pos.3	<b>A 963 131 NU</b>	1 Set	19	Screw M4x12		
2	Depth adjustment device			20	Cartridge with pos.22	<b>A 960 500 NU</b>	1 Set
3	Adjustment lock ( contained in pos. 1 )			21	Cylindrical screw M4x41,7	<b>A 963 335 NU</b>	3 pcs
4	Side sealing	<b>A 963 132 NU</b>	1 Set	22	ECO-kit	<b>A 860 700 NU</b>	1 Set
5	Built-in box			23	Cover + clamping + O-ring	<b>A 960 893 AA</b>	1 Set
6	Multi-way body			24	Adapter rubber		
7	Plug G1/2			25	Cover / Cap for diverter	<b>A 860 902 AA</b>	1 pcs
8	O-ring Ø 17 x 2,5	<b>A 963 143 NU</b>	1 Set	26	Escutcheon holder cpl.	<b>A 860 897 NU</b>	1 Set
9	Flushing device cpl.	<b>A 963 146 NU</b>	1 Set	27	Escutcheon B/S plane	<b>A 860 946 AA</b>	1 pcs
10	Plug with o-ring Ø 12x1,5	<b>A 963 147 NU</b>	1 pcs	29	Thread pin M5x10 DIN915	<b>A 963 309 NU</b>	1 pcs
11	Cover for built-in box			30	Cap for handle	<b>B 960 473 AA</b>	1 pcs
12	Sealing fleece			31	Lever cpl. with Logo ISI	<b>A 861 414 AA</b>	1 Set
13	Body Single lever			32	Extension kit 20mm	<b>A 960 704 NU</b>	1 Set
14	Screw set complete	<b>A 960 890 NU*</b>	1 Set		Extension kit 40mm	<b>A 962 476 NU</b>	1 Set
15	Plug with o-ring			33	Distanzframe 20mm	<b>A 6677 AA</b>	1 Set
16	Low noise insert	<b>A 960 891 NU</b>	1 pcs				
17	Stop valve	<b>A 960 706 NU</b>	2 pcs				
18	Diverter complete	<b>A 963 443 NU</b>	1 pcs				

\*Universal set (not all parts needed)