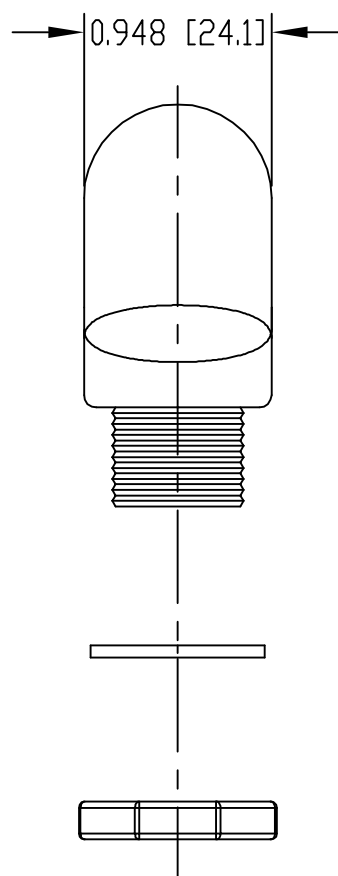
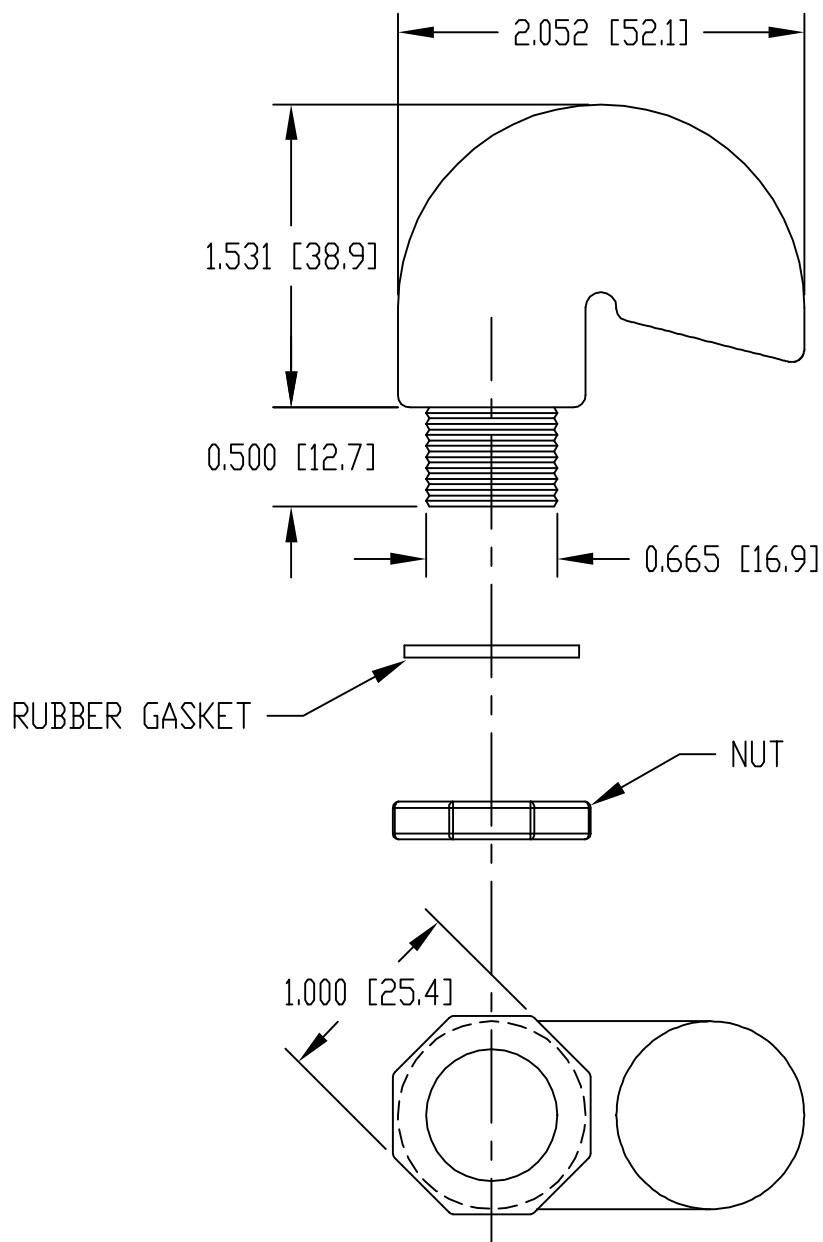


PART NAME	AIR AND MOISTURE VENT	PART No.	NBX-10910	REV. DATE	8-27-08
-----------	-----------------------	----------	-----------	-----------	---------

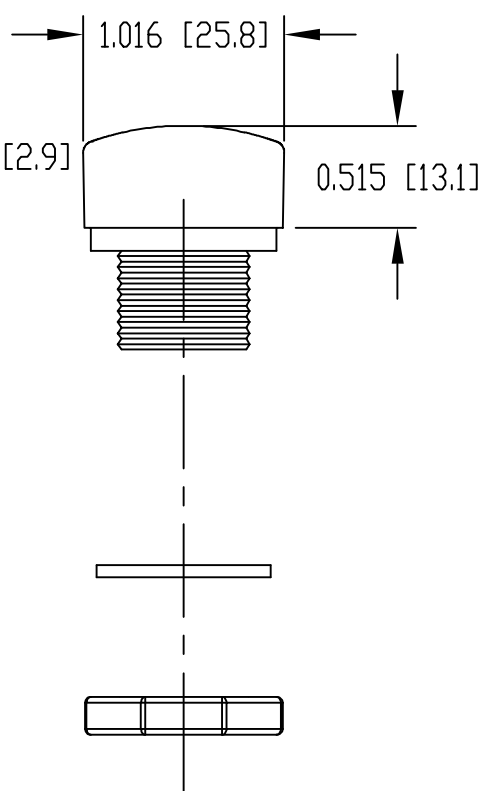
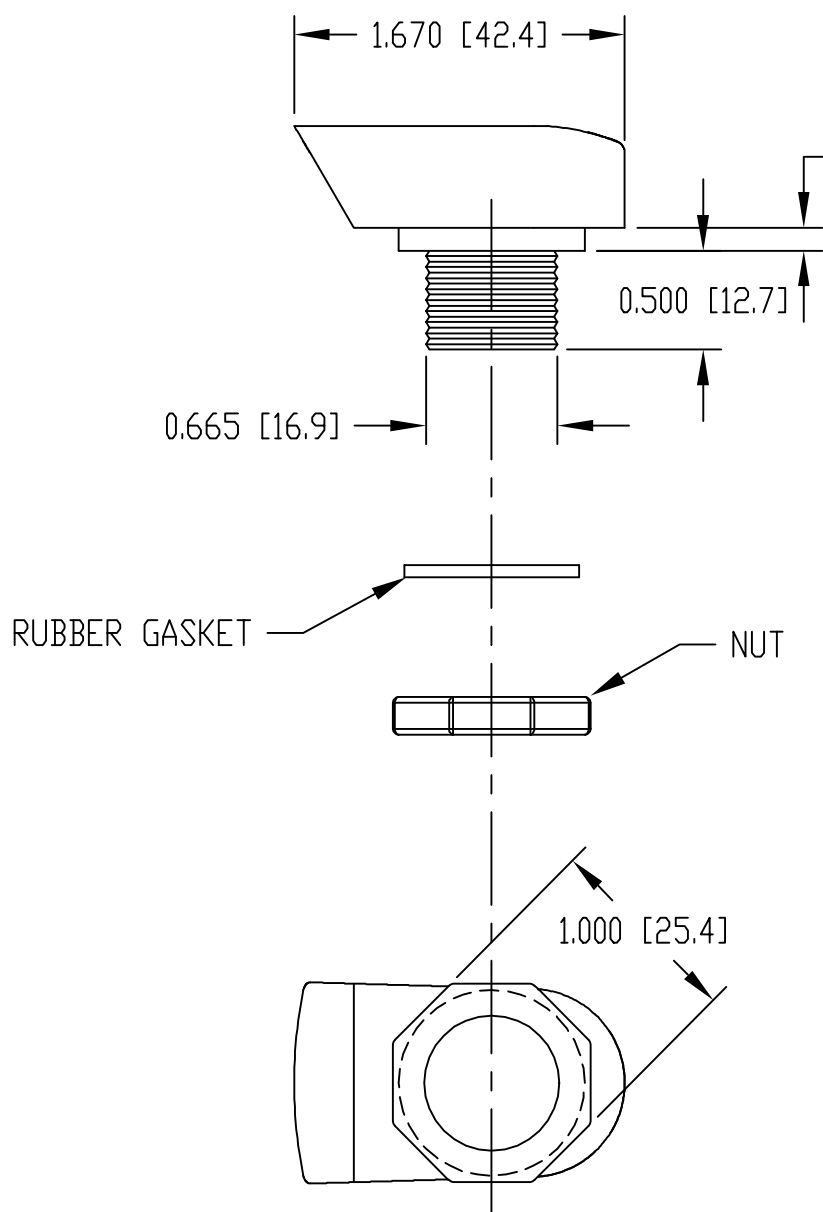


MATERIAL: ABS
 COLOR: LIGHT GRAY

MOUNTING HOLE SIZE: 0.688 [17.5] DIA.

DIMENSIONS = INCHES
 (MILLIMETERS)

PART NAME	AIR AND MOISTURE VENT	PART No.	NBX-10911	REV. DATE	8-27-08
-----------	-----------------------	----------	-----------	-----------	---------



MATERIAL: ABS
 COLOR: LIGHT GRAY

MOUNTING HOLE SIZE: 0.688 [17.5] DIA.

DIMENSIONS = INCHES
 (MILLIMETERS)