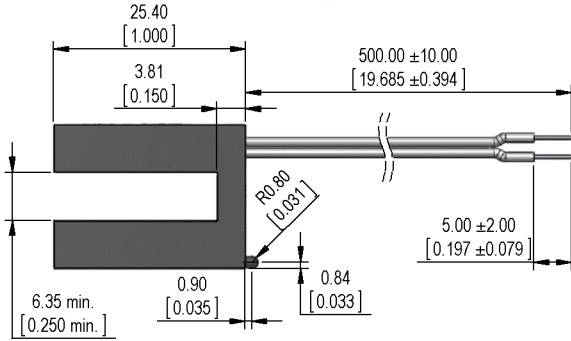
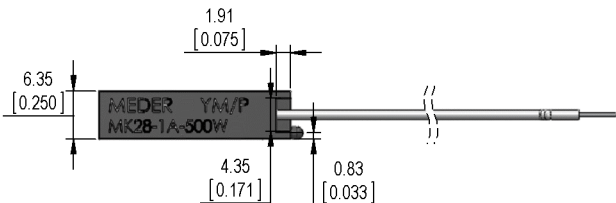
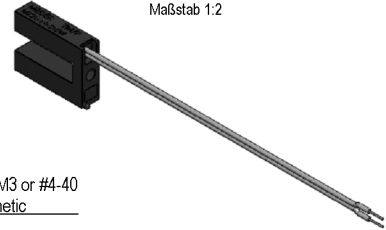


Dimensions mm[inch]
 tolerances acc. to DIN ISO 2768-m
 Toleranzen gem. DIN ISO 2768-m



Isometric
 Scale 1:2
 Maßstab 1:2



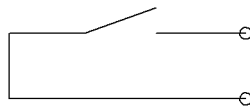
Cable

Flat Cable, LIYZ 2x0.14sqmm
 colour of wires: white

Terminals/Connector

Customer side: Ends tinned
 Kundenseite: Enden verzinkt

Schematic

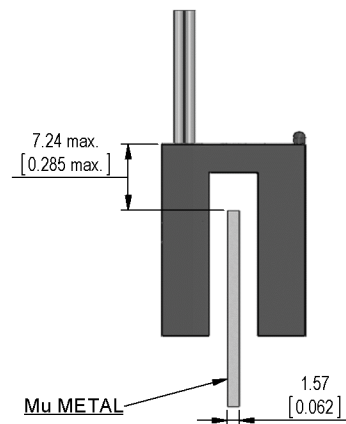
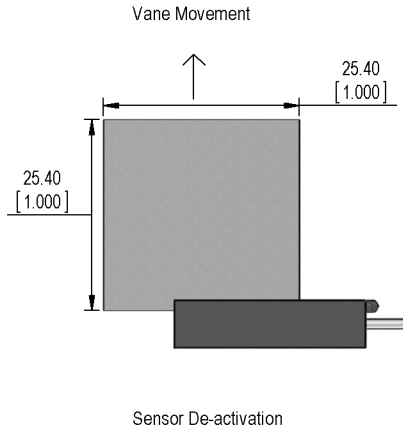
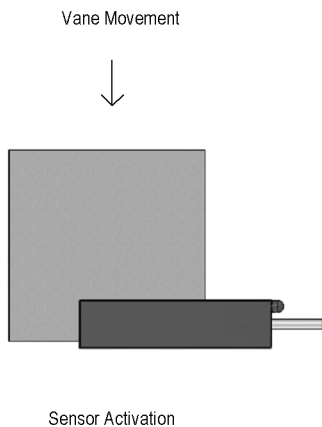


Marking

MEDER-Label, Type,
 according to EN60062/factory code
 MEDER-Logo, Typ,
 gem. EN60062/Fertigungsstätte



Switching distances





Europe: +49 / 7731 8399 0 | Email: info@meder.com
 USA: +1 / 508 295 0771 | Email: salesusa@meder.com
 Asia: +852 / 2955 1682 | Email: salesasia@meder.com

Item No.:
9281901054
 Item:
MK28-1A-500W

Products for tomorrow...

Magnetic properties	Conditions	Min	Typ	Max	Unit
Pull-In excitation (Reference value)	Reed switch unmodified measured in coil- "define operation"	15		20	AT
Test-Coil	Reed switch unmodified	KMS-01			

Special Product Data	Conditions	Min	Typ	Max	Unit
Contact - No.		90			
Contact - form		A - NO			
Contact rating	Any DC combination of V & A not to exceed their individual max.'s			10	W
Switching voltage	DC or Peak AC			175	V
Carry current	DC or Peak AC			1	A
Switching current	DC or Peak AC			0.5	A
Sensor-resistance	measured with 40% overdrive			300	mOhm
Breakdown voltage	according to EN 60255-5	200			VDC
Housing material		Nylon 6/6			
Case color		black			
Sealing compound		UL94-V2 File-No E72640 (M) PU E8702 FW-Z/Herberts			

Environmental data	Conditions	Min	Typ	Max	Unit
Shock	1/2 sine, duration 11ms, in 3 axis			50	g
Vibration	from 10 - 2000 Hz			20	g
Operating temperature		-40		105	°C
Storage temperature		-40		105	°C

Cable specification	Conditions	Min	Typ	Max	Unit
Cable type		flat cable			
Cable material		PVC			
Cross section		0.14 sq-mm			

General data	Conditions	Min	Typ	Max	Unit
Mounting advice		Magnetically conductive screws must not be used.			
Mounting advice		over 5m cable, a resistor is recommended.			
Tightening torque	Screw M3 ISO 1207 Disk ISO 7089			0.5	Nm