

Data sheet

25Gmodul - Keystone

Page 1/6

P/N

130B21-25-E

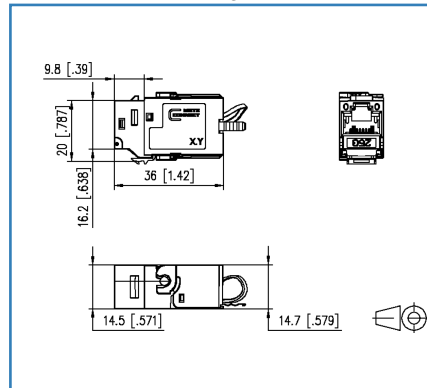
EAN 4251394607405

2018-05-04

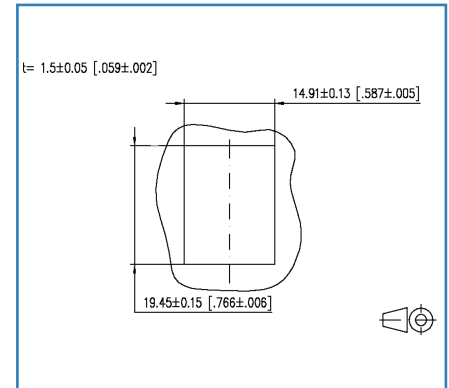
Illustrations



Dimensional drawing



Cut-out



See enlarged drawings at the end of document

Product specification

- certified by GHMT according to DTR-11801-9905 for 25GBASE-T in the Channel-Link with 30 m (50 m in preparation)
- completely downward compatible by complying with class EA according to ISO/IEC 11801 Ed.2.2:2011-06 and DIN EN 50173-1:2011-09 (within the permanent link up to 90m; within the permanent link up to 100m)
- RJ45 according to IEC 60603-7-1:2011, 2 mounting versions: module and keystone
- mounting without special tools, low mounting and connection time
- migrating 10G-systems without special tools
- connection of patch- and installations cords is possible for: AWG 26/7 - 22/7 and AWG 26/1 - 22/1
- suitable for 25Gbit/s Ethernet (IEEE 802.3bq) and 10 Gbit/s Ethernet (IEEE 802.3an), Remote Powering (PoE, PoE plus, UPoE and 4PPoE) and HDBaseT
- solid, reusable module housing refined with zinc die-casting
- intelligent cable management in stuffer caps - also suitable for heavily twisted cables - also easy installation in various applications
- strain relief by a red latching clip directly on the stuffer cap
- 360°-shield connection
- dust protection cover (optional)



Data sheet 25Gmodul - Keystone

Page 2/6

P/N
130B21-25-E
EAN 4251394607405

2018-05-04

Technical Data

General Data

Fields of application	Office
Design	Jack
Shielding	shielded
Transmission technology	Copper
Wiring	T568A, T568B
Color	metallike
Dimensions	
Dimension (L x W x H)	36.00 x 14.70 x 20.00 mm
Dimension (L x W x H)	1.417 x 0.579 x 0.787 in.
Modularity	yes
Field assembly ability	yes
Marking option	by latching clip

Transmission characteristics

Class (ISO/IEC)	E _A
Remote Powering	yes
PoE	IEEE 802.3af
PoE plus	IEEE 802.3at
UPoE	yes
HDBaseT	yes
Transmission rate up to 10 GBit (Gigabit-Ethernet)	IEEE 802.3an
Transmission rate up to 25 GBit (Fast Ethernet)	IEEE 802.3bq

Connections/interfaces

Connector technology interface 1	IDC-connection
Connector technology interface 2	RJ45-jack
Number of ports interface 2	1
Number of equipped ports interface 2	1
Number of positions/contacts interface 1	8
Number of positions/contacts interface 2	8P/8C

Data sheet 25Gmodul - Keystone

Page 3/6

P/N
130B21-25-E
EAN 4251394607405

2018-05-04

Technical Data

Connections/interfaces

Termination data, solid wire (min. - max.)

Conductor cross section, solid wire	AWG 26/1 - 22/1
Conductor cross section, solid wire	0.128 - 0.324 mm ²
Conductor diameter, solid wire (bare copper)	0.409 - 0.643 mm
Conductor diameter, solid wire (bare copper)	0.016 - 0.025 in.

Termination data, stranded wire (min. - max.)

Conductor cross section, stranded wire	AWG 26/7 - 22/7
Conductor cross section, stranded wire	0.141 - 0.355 mm ²
Conductor diameter, stranded wire (bare copper)	0.483 - 0.762 mm
Conductor diameter, stranded wire (bare copper)	0.019 - 0.030 in.

Cable access/outlet 180°

Electrical characteristics

Current carrying capacity	max. 1 A
Rated voltage	max. 50 V
Contact resistance	max. 20 mOhm
Through resistance	max. 200 mOhm
Insulation resistance	min. 500 MOhm
Dielectric strength conductor-conductor (secondary)	max. 1000 V DC

Mechanical characteristics

Cut-out	Keystone
Mounting method	snap-in function
Insertion and withdrawal force	max. 30 N
Position/mounting of latch - standard installation position	bottom
strain relief	latching clip

Materials and material properties

Material - Housing	GD-Zn (zinc die-cast)
Material - Contact	Spring steel
Material - Contact finish	Au (gold)
Material - Shield	GD-Zn (zinc die-cast)
Material - Stuffer cap	PA 6.6 UL94 V0
Material - Strain relief	PA 6.6 UL94 V0



Data sheet
25Gmodul - Keystone

Technical Data

Materials and material properties

Material - Finish Ni (nickel)

Environmental conditions

Rapid change of temperature -40°C / -40°F - +70°C / 158°F / 25 cycles t=30 min

Electromagnetic measurement E₂

Certifications

GHMT Component yes

GHMT component - Validity period 28.02.2020

Approvals

CE compliant

RoHS compliant

The product meets the following standards

Generic cabling systems

General requirements ISO/IEC 11801 Ed.2.2:2011-06 | DIN EN 50173-1:2011-09
TIA/EIA 568-C

Office buildings ISO/IEC 11801 Ed.2.2: 2011-06 | DIN EN 50173-2: 2011-09
TIA/EIA 568-C

Living units ISO/IEC 15018 | DIN EN 50173-4: 2011-09
TIA/EIA 570-B

Connectors for electronic equipment

Free and fixed connectors IEC 60603-7-1:2011

Connectors for electronic equipment - Tests and measurements

Test standard for connectors (plugging and removing connectors under electrical load) DIN-EN 60512-99-001: 02-2013, DIN-EN 60512-99-002: 11-2015

Endurance tests IEC 60512-9-3: 03-2009

Interference proof

Immunity for industrial environments DIN EN 61000-6-2:2006-03

Emission proof

Electromagnetic emission for residential, commercial and light-industrial environments DIN EN 61000-6-3:2011-09

Climate tests IEC 60512-11



Data sheet 25Gmodul - Keystone

Page 5/6

P/N

130B21-25-E

EAN 4251394607405

2018-05-04

Technical Data

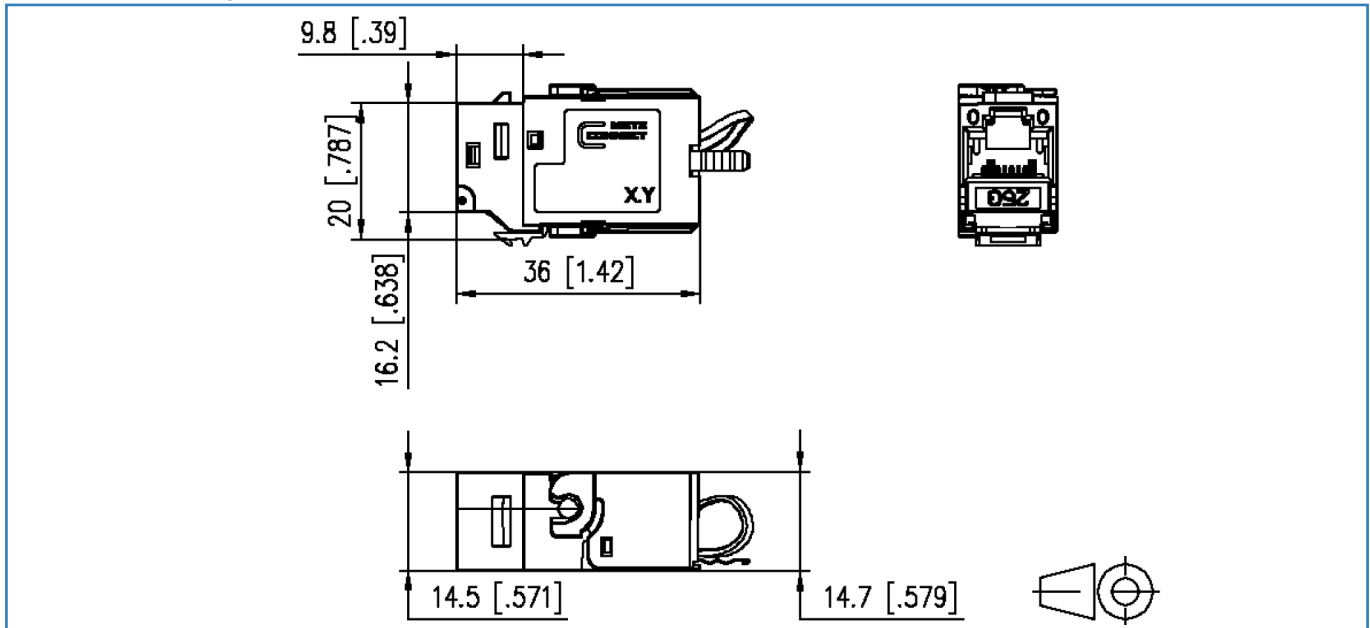
Packing details

Type of packaging	10 pc(s) / box
-------------------	----------------



Illustrations

Dimensional drawing



Cut-out

