



Product / Process Change Notification (PCN)	
<input checked="" type="checkbox"/> Major change <input type="checkbox"/> Minor change	
PCN #: PCN_FeNCF_20220502 Affected Series: WE-NCF; 742713x8 PCN Date: February 02, 2022 Effective Date: May 02, 2022	Change Category: <input type="checkbox"/> Equipment / Location <input checked="" type="checkbox"/> General Data <input type="checkbox"/> Material <input type="checkbox"/> Process <input type="checkbox"/> Product Design <input type="checkbox"/> Shipping / Packaging <input type="checkbox"/> Supplier <input type="checkbox"/> Software
Contact: Product Management Phone: +49 (0) 7942 - 945 5001 Fax: +49 (0) 7942 - 945 5179 E-Mail: pcn.eisos@we-online.com	Data Sheet Change: <input checked="" type="checkbox"/> Yes <input type="checkbox"/> No Attachment: <input type="checkbox"/> Yes <input checked="" type="checkbox"/> No
Description and purpose of change: Due to internal standardisation, Würth Elektronik add specific tolerances.	

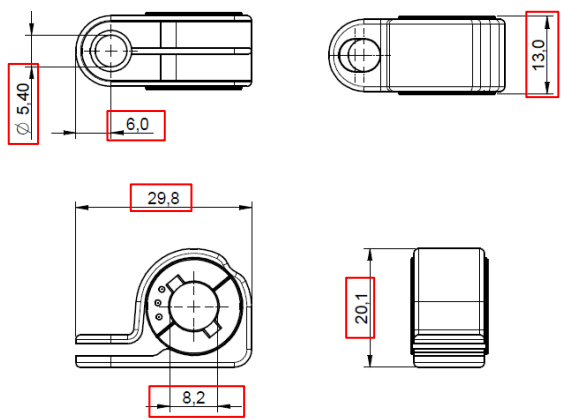
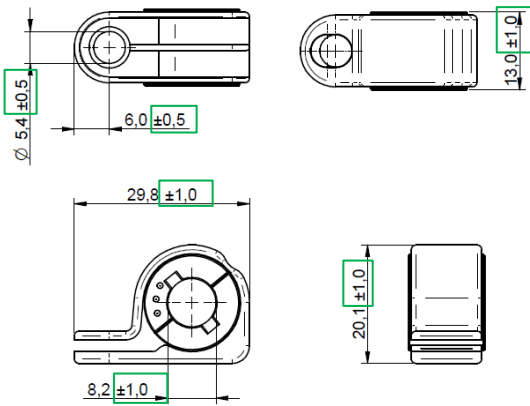
Detail of Change:

This is a datasheet change only. There will be no change in form, fit, function, quality or reliability of the product.

Before the change, tolerances of the product are defined by general tolerance table following DIN ISO 2768.

After the change, tolerances are defined for each dimension.

The table below is showing the drawing of part number 74271308 as an example. The tolerances will be added for all part numbers identically as shown in the example.

Before change	After change
	

Reliability / Qualification Summary:

There will be no change of the product, therefore no additional reliability or qualification testing will be performed.