

Product / Process Change Notification (PCN)

- Major change
 Minor change

PCN #: PCN_ConCIRCM12_20231130
Affected Series: WR-CIRCM12 ; 643230100404 ; 643240100404
 643240100405 ; 643270100304
 643270100305 ; 643280100304
 643280100305 ; 643280100308
PCN Date: August 30, 2023
Effective Date: November 30, 2023

- Change Category:**
- Equipment / Location
 - General Data
 - Material
 - Process
 - Product Design
 - Shipping / Packaging
 - Supplier
 - Software

Contact: Product Management
Phone: +49 (0) 7942 - 945 5001
Fax: +49 (0) 7942 - 945 5179
E-Mail: pcn.eican@we-online.com

- Data Sheet Change:**
- Yes No
- Attachment:**
- Yes No

Description and purpose of change:

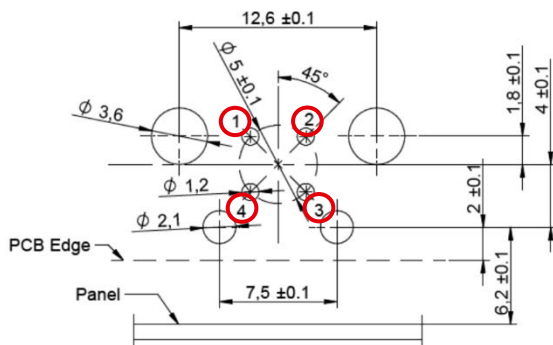
Because of a database mismatch, Würth Elektronik will correct the pin numbering on the layout drawing.
 For 643240100405; the drawing is fully replaced.
 This is a datasheet correction only. There will be no change in form, fit, function, quality or reliability of the product.

Detail of Change:

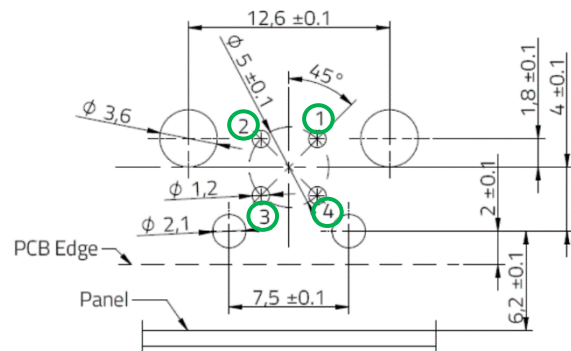
643230100404

BEFORE

Recommended PCB Layout [mm]:



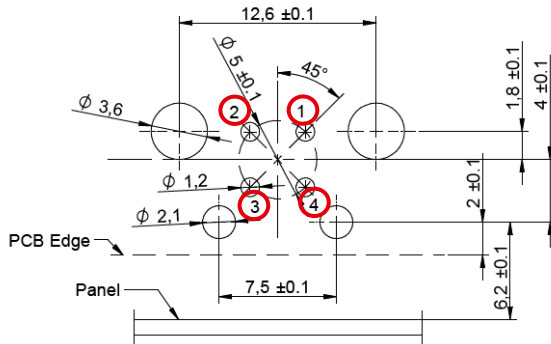
AFTER



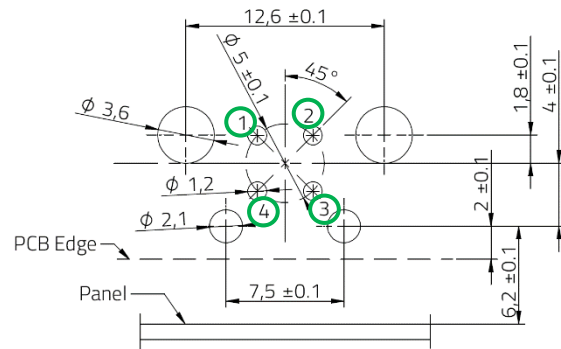
643240100404

BEFORE

Recommended PCB Layout [mm]:



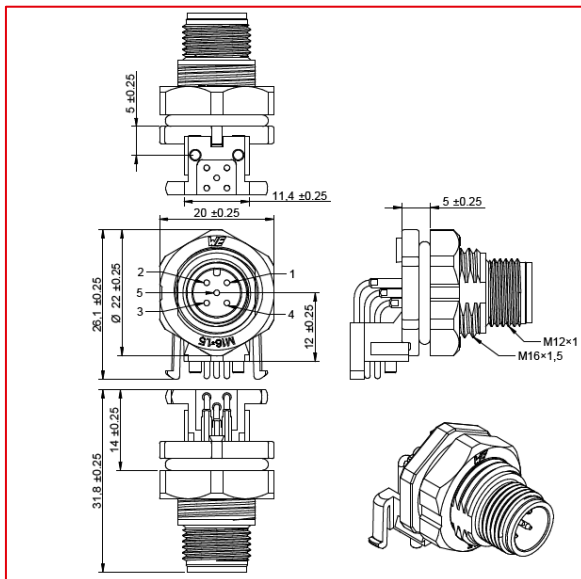
AFTER



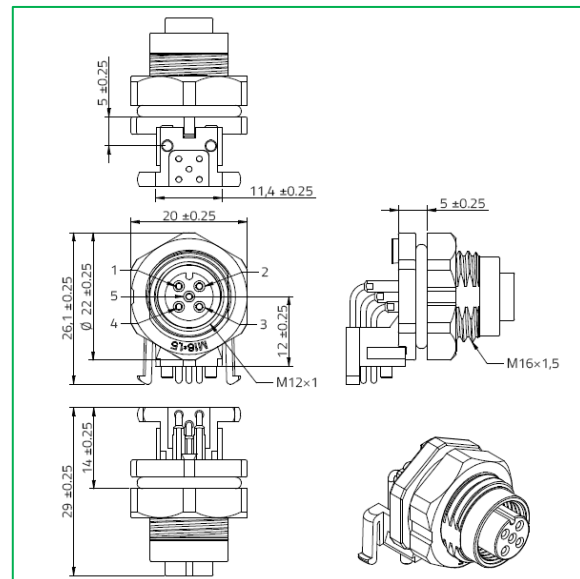
643240100405

The drawing was swapped with male version, so it is totally replaced with correct female version.

BEFORE



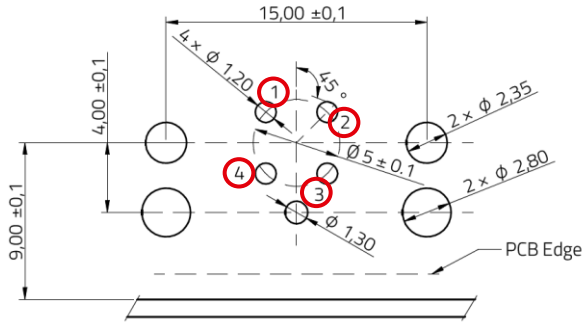
AFTER



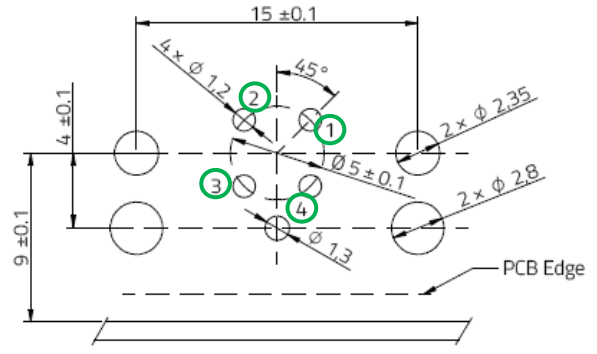
643270100404

BEFORE

Recommended PCB Layout [mm]:



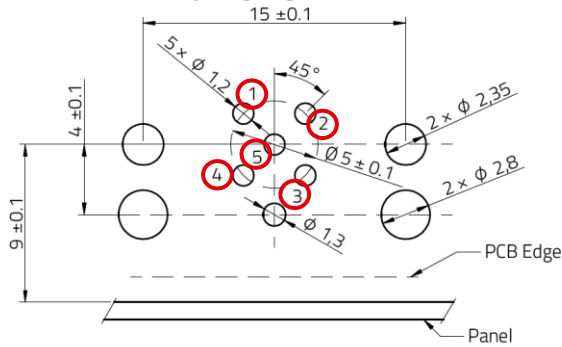
AFTER



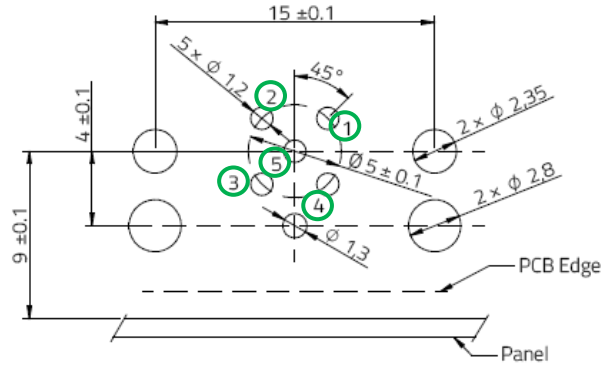
643270100305

BEFORE

Recommended PCB Layout [mm]:



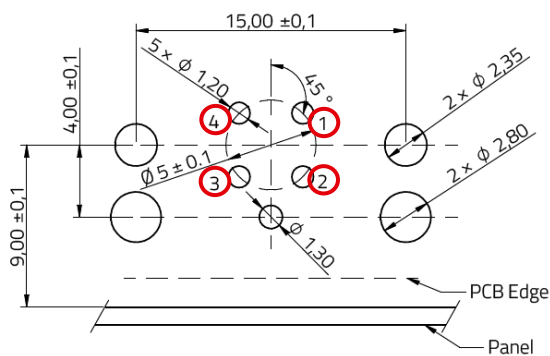
AFTER



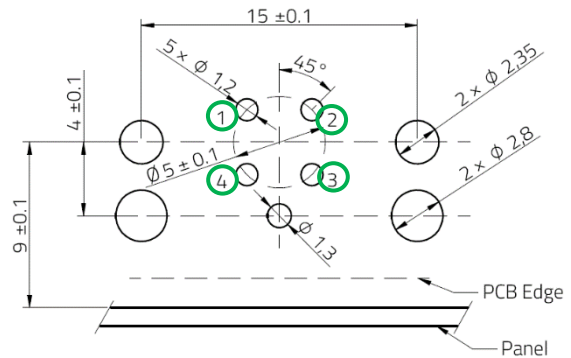
643280100304

BEFORE

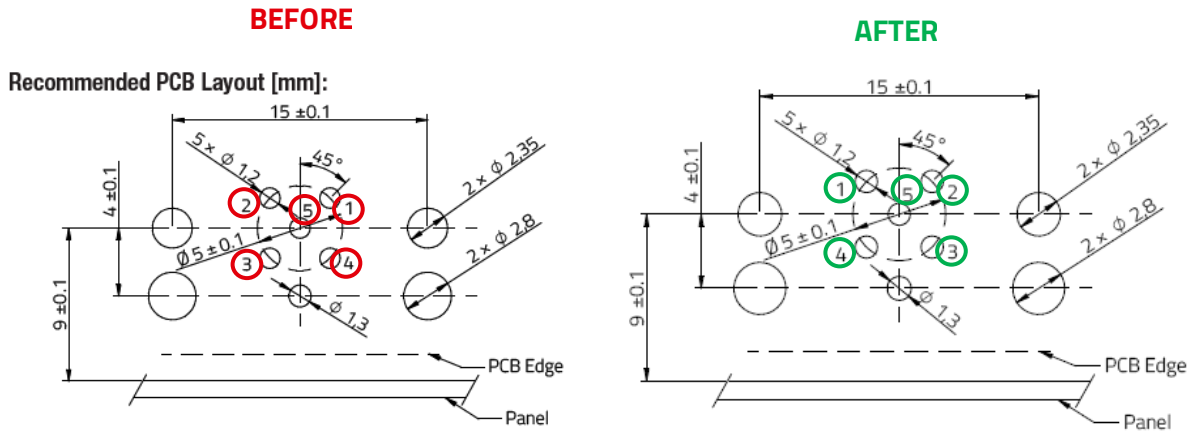
Recommended PCB Layout [mm]:



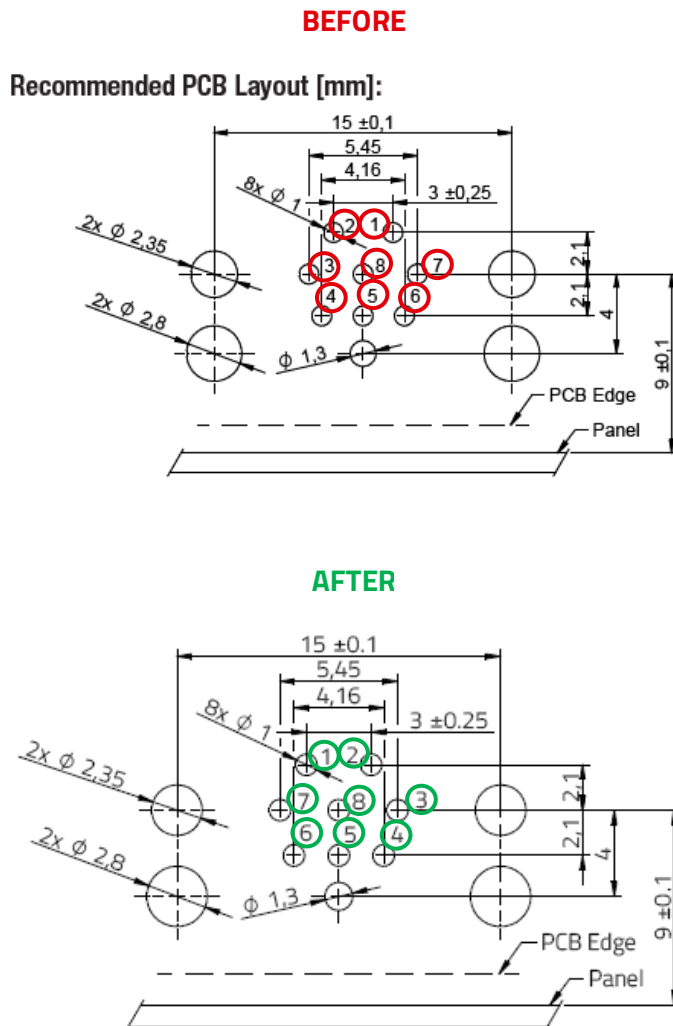
AFTER



643280100305



643280100308





Reliability / Qualification Summary:

There will be no change of the product, therefore no additional reliability or qualification testing will be performed.