



# AIRFIELD LIGHTING

# GERMAN COMPANY – GERMAN QUALITY STANDARDS

For more than 70 years, precision and quality in Halogen bulbs and lighting solutions, made by **NARVA** in Germany.

High reliability and long life expectancy are those characteristics of our Airfield Ground Lighting lamps which we take into account with our internal quality seal of “German Precision Lighting” – and which are highly valued by our repeat customers for decades.

Safety during takeoff and landing maneuver’s can only be assured by perfect illumination of airfield runways. Thus, regulatory requirement of FAA, ICAO and other international regulations are just the lower limit – our personal standard and ambition onto quality goes well beyond.

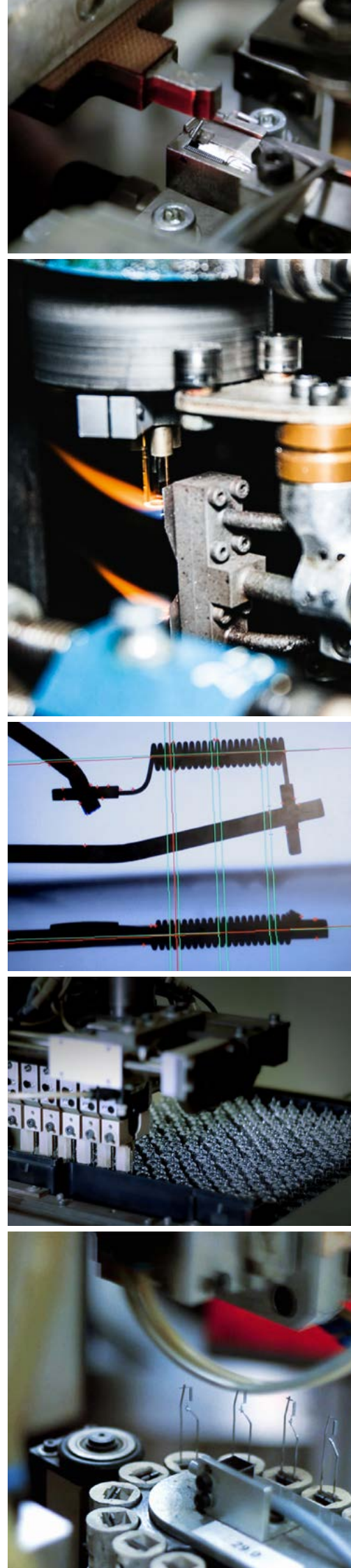
Our products also deliver value with their prolonged lifetime, which results in long exchange cycles and considerably lower maintenance costs.

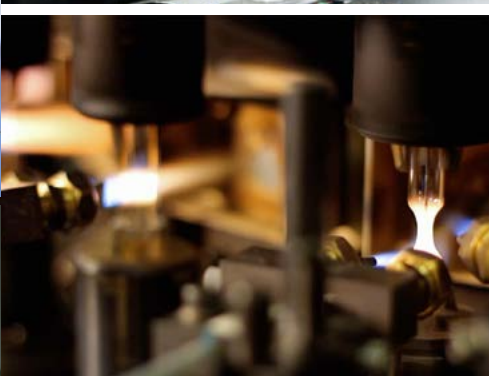
As co-operation partner with highly specialized business partners and wholesalers, we are also used to provide customized solutions with particular requirements at small batch sizes. Besides, we also set a high value on service orientation, personal assistance and delivery performance. Because this in total is what sets us apart, too: we are not a multi-billion conglomerate, we are “German Mittelstand”. As such, we think and act like one: pragmatic, flexible, quality-driven.

Every day, for the next 70 years.

Your **NARVA** team

**NARVA**  
SPECIAL LIGHTING





## TABLE OF CONTENTS

### HALOGEN AIRFIELD LAMPS

DICHROIC REFLECTOR	4
PREFOCUS (PK) – CABLE CONNECTION	6
CONNECTOR OVERVIEW	8
BI-PIN	10

### CONVENTIONAL AIRFIELD LAMPS

PREFOCUS	12
----------	----

### SERVICE

CROSS-REFERENCE/REPLACEMENT GUIDE	14
-----------------------------------	----



### **Description**

Halogen airfield lamp with integrated reflector

### **Features/Benefits**

- High and constant lumen output
- Long-Lifetime (LL)
- Excellent optical adjustment
- Strong focus light

### **Application**

- Approach and threshold lights
- Runway and taxiway lights
- Stopbar and touch-down zone lights

# HALOGEN AIRFIELD LAMPS DICHROIC REFLECTOR

Type	Current A	Wattage W	Base	Axial light intensity kcd	Average life hrs.	Figure	Part number
58300	2,2	20	cable flat female connector <sup>3)</sup>	min. 6,0	1000	2	58300
6144	6,6	30	cable flat female connector <sup>3)</sup>	min. 16	1000	2	58334
58380	6,6	30	cable flat male connector <sup>2)</sup>	min. 16	1000	2	58380
6137	6,6	35	GZ4	min. 4,5	1500	3	58314
6102	6,6	40	cable round female connector <sup>1)</sup>	min. 10,5	1500	1	58302
6102 K	6,6	40	cable round female connector <sup>1) 7)</sup>	min. 10,5	1500	1	58385
6104	6,6	40	cable flat male connector <sup>2)</sup>	min. 10,5	1500	1	58303
6110	6,6	40	cable flat female connector <sup>3)</sup>	min. 10,5	1500	1	58301
6110 K	6,6	40	cable flat female connector <sup>3) 7)</sup>	min. 10,5	1500	1	58383
6145LL	6,6	45	cable flat female connector <sup>3)</sup>	min. 19,0	<b>3000</b>	2	58381
6146LL	6,6	45	cable round female connector <sup>1)</sup>	min. 19,0	<b>3000</b>	2	58382
6101LL	6,6	48	cable flat female connector <sup>3)</sup>	min. 20,0	<b>3000</b>	2	58304
6106LL	6,6	48	cable flat male connector <sup>2)</sup>	min. 20,0	<b>3000</b>	2	58305
6107LL	6,6	48	cable round female connector <sup>1)</sup>	min. 20,0	<b>3000</b>	2	58306
6143	6,6	48	cable flat female connector <sup>6)</sup>	min. 23,0	1000	2	58333
58340	6,6	48	cable flat male connector <sup>2)</sup>	min. 23,0	1500	2	58340
58356	6,6	48	cable flat female connector <sup>3)</sup>	min. 23,0	1500	2	58356
6138	6,6	48	cable flat male / flat female <sup>5)</sup>	min. 25,0	500	2	58317
6141	6,6	62	cable flat female connector <sup>3) 4)</sup>	**	1500	2	58335
6142	6,6	62	GX5,3	**	1500	**	58336
6103	6,6	105	cable round female connector <sup>1)</sup>	min. 30,0	1000	2	58307
6105	6,6	105	cable flat female connector <sup>3)</sup>	min. 30,0	1000	2	58308
6108	6,6	105	cable flat male connector <sup>2)</sup>	min. 30,0	1000	2	58310

<sup>1)</sup> 4 mm diameter

<sup>2)</sup> flat male connector, complying with DIN 46248

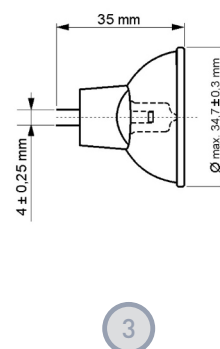
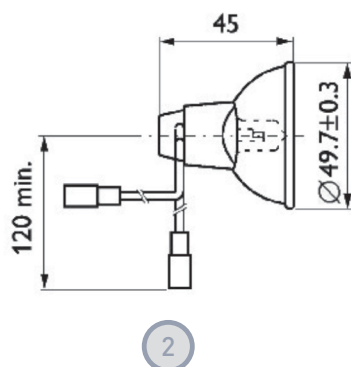
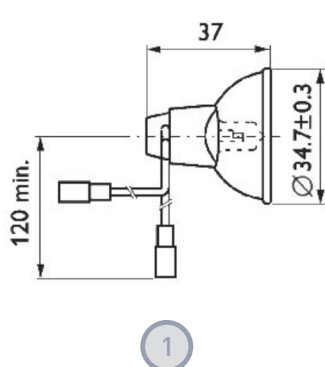
<sup>3)</sup> flat female connector, complying with DIN 46247

<sup>4)</sup> 16" cable length

<sup>5)</sup> with 60 mm sleeve

<sup>6)</sup> with rectangular female connector

<sup>7)</sup> with ceramic plate





6116LL



6313LL



6303LL

**Description**

Halogen airfield lamp with prefocus base and cable connector

**Features/Benefits**

- High and constant lumen output
- Long-Lifetime (LL), excellent optical adjustment
- Cement free prefocus base

**Application**

- Approach and threshold lights
- Runway and taxiway lights
- Stopbar and touch-down zone lights
- Visual approach slope indicator systems (e.g. PAPI)

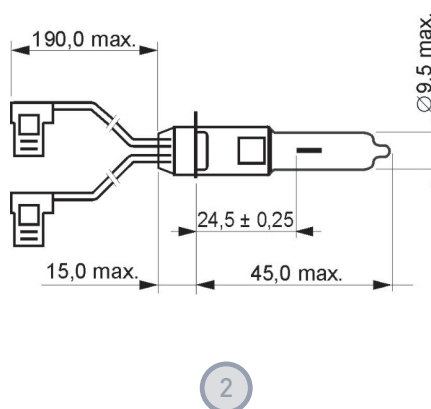
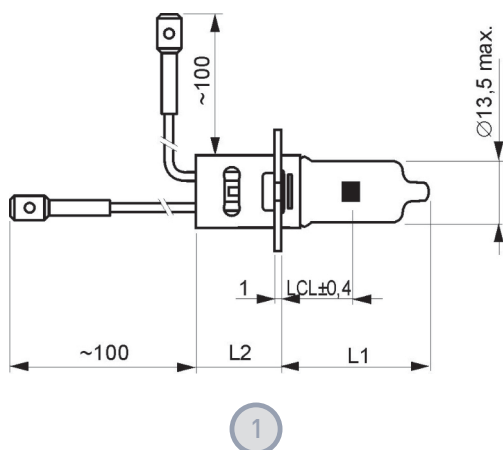
Type	L1 max. mm	L2 max. mm	Type	L1 max. mm	L2 max. mm
6303	36	20	6121	32	21
6130	28	21	6118	35	21
6132	32	21	6392	35	21
6133	32	21	6313	36	21
6304	32	21	6117	36	21
6125	32	21	6139	36	21
6116	36	17			

# HALOGEN AIRFIELD LAMPS

## PREFOCUS (PK) – CABLE CONNECTION

Type	Current A	Wattage W	Base	Connector	Lumens Lm	Average life hrs.	LCL mm	Filament	Figure	Part number
6303LL	6,6	45	PK30d	male	800	3000	16	C-8	1	58326
6130LL	6,6	45	PK30d	female	800	3000	16	C-8	1	58328
6132LL	6,6	45	PK30d	female	800	3000	20	C-8	1	58330
6133LL	6,6	45	PK30d	male	800	3000	20	C-8	1	58331
6304LL	6,6	65	PK30d	male	1450	2000	20	CBAR-6	1	58337
6125LL	6,6	65	PK30d	female	1450	2000	20	CBAR-6	1	58338
6371C	6,6	100	PK18d	female	2500	1000	24,5	C-8	2	58344
6116LL	6,6	100	PK30d	male	2700	2000	20	CBAR-6	1	58347
6121LL	6,6	100	PK30d	female	2700	2000	20	CBAR-6	1	58349
6118LL	6,6	150	PK30d	female	3600	2000	20	CBAR-6	1	58369
6118LL HTR	6,6	150	PK30d	female	3600	2000	20	CBAR-6	1	58363
6392LL	6,6	150	PK30d	male	3600	2000	20	CBAR-6	1	58368
6392LL HTR	6,6	150	PK30d	male	3600	2000	20	CBAR-6	1	58364
6313LL	6,6	200	PK30d	male	4400	2000	20	CC-6	1	58376
6117LL	6,6	200	PK30d	male	4800	2000	20	CC-6	1	58377
6117LL HTR	6,6	200	PK30d	male	4800	2000	20	CC-6	1	58379
6139LL	6,6	200	PK30d	female	4800	2000	20	CC-6	1	58378
6139LL HTR	6,6	200	PK30d	female	4800	2000	20	CC-6	1	58371

- All PK30d lamps are long life lamps with higher operation hours  
 - HTR are lamps for high temperature application





## LAMPS WITH CABLE CONNECTOR

Lamps have different cable connector to get always a perfect electrical contact to light fixture. It is far away from the pinching area to reduce risks of overheating pinch or molybdenum foil. Besides standard male, female or round connector is also a rectangular female connector available.

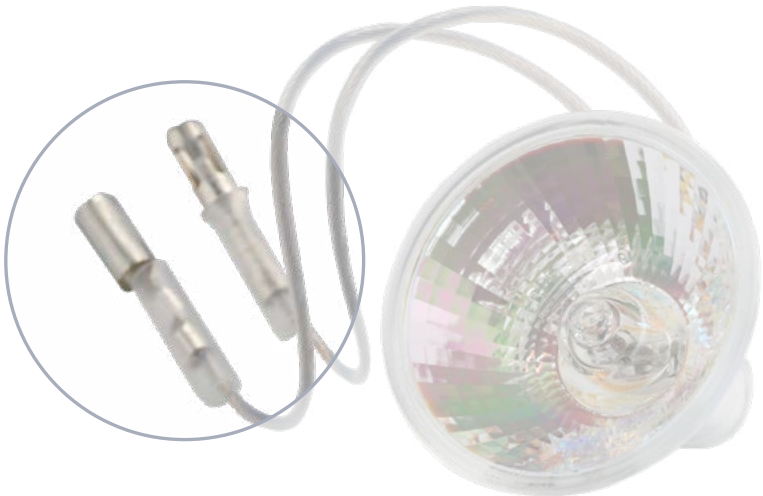
This connector is characterized by an additional isolation



# HALOGEN AIRFIELD LAMPS CONNECTOR OVERVIEW

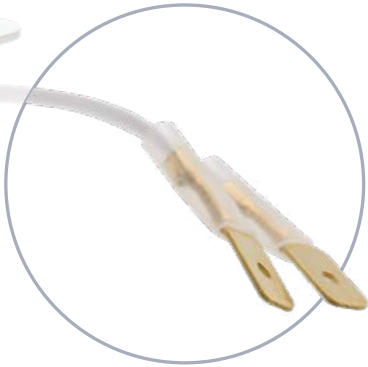
**Round female  
connector**

for contacts with  
4 mm diameter



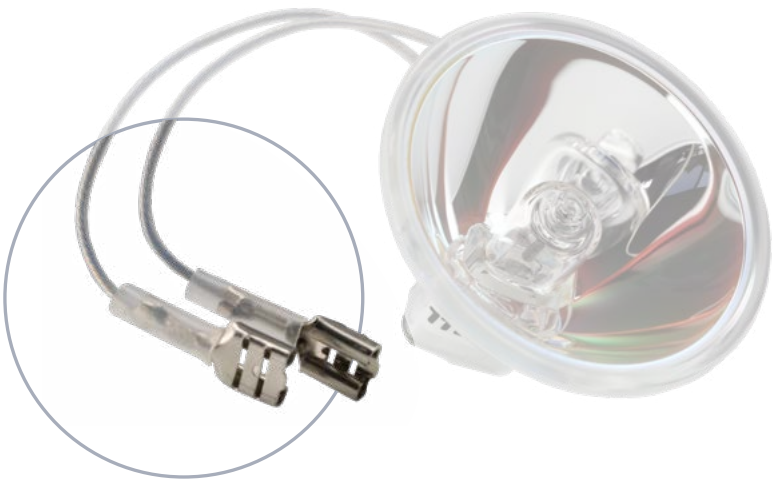
**flat female  
connector**

complies with  
DIN 46247



**flat male  
connector**

complies with  
DIN 46248





**Description**

Halogen airfield lamp with Bi-pin base

**Features/Benefits**

- High and constant lumen output
- Long-Lifetime (LL), small size

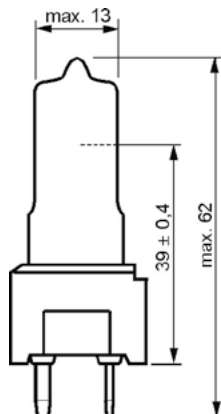
**Application**

- Approach and threshold lights
- Runway and taxiway lights
- Obstruction lights

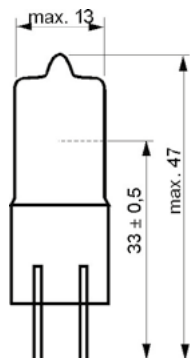
# HALOGEN AIRFIELD LAMPS BI-PIN

Type	LIF ANSI	Current A	Wattage W	Base	Lumens Lm	Average life hrs.	LCL mm	Filament	Fig.	Part number
<b>6112LL</b>	<b>EXL</b>	<b>6,6</b>	<b>30</b>	<b>GZ9,5</b>	<b>375</b>	<b>2000</b>	<b>25,4</b>	<b>C-8</b>	<b>3</b>	<b>58312</b>
6315	J1/75	6,6	36	G6,35	610	1500	33	C-8	2	58315
6123	J1/57	6,6	45	G6,35	840	1500	33	C-8	2	58323
<b>6134LL</b>	<b>EXM</b>	<b>6,6</b>	<b>45</b>	<b>GZ9,5</b>	<b>800</b>	<b>2000</b>	<b>25,4</b>	<b>C-8</b>	<b>3</b>	<b>58325</b>
6343	J1/58	6,6	100	G6,35	2300	1200	33	CBAR-6	2	58343
6128	EVV	6,6	120	GZ9,5	3150	1500	39	CBAR-6	1	58355
58362	**	6,6	150	G6,35	4500	800	33	CBAR-6	2	58362
6292	EWR	6,6	150	GZ9,5	3750	1500	39	CBAR-6	1	58365
6373	J1/39	6,6	200	G6,35	4700	1200	33	CBAR-6	2	58373
<b>6372LL</b>	<b>EZL</b>	<b>6,6</b>	<b>200</b>	<b>GZ9,5</b>	<b>5000</b>	<b>2000</b>	<b>39</b>	<b>CBAR-6</b>	<b>1</b>	<b>58374</b>
58384	**	6,6	200	GZ9,5	5000	2000	39	CC-6	1	58384

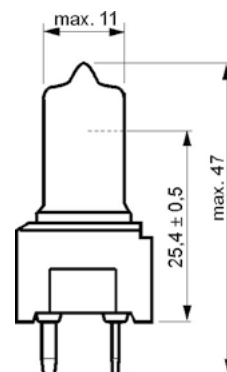
Remark: bold marked types are Long life types



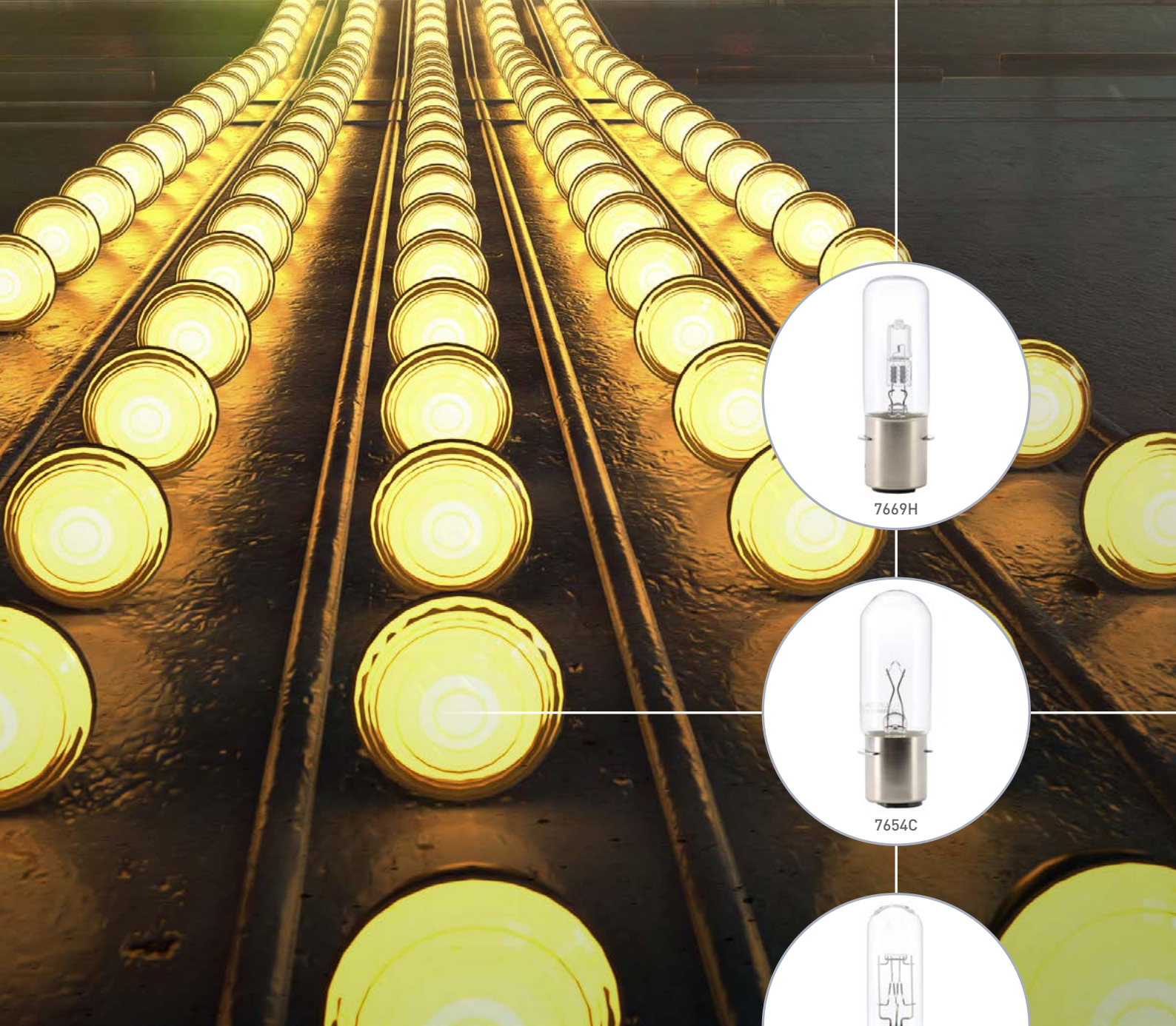
1



2



3



7669H



7654C



6936C

**Description**

Conventional incandescent airfield lamp

**Features/Benefits**

- Lamp for constant current regulated series circuits

**Application**

- Elevated approach
- Runway and taxiway lights
- Obstruction lights

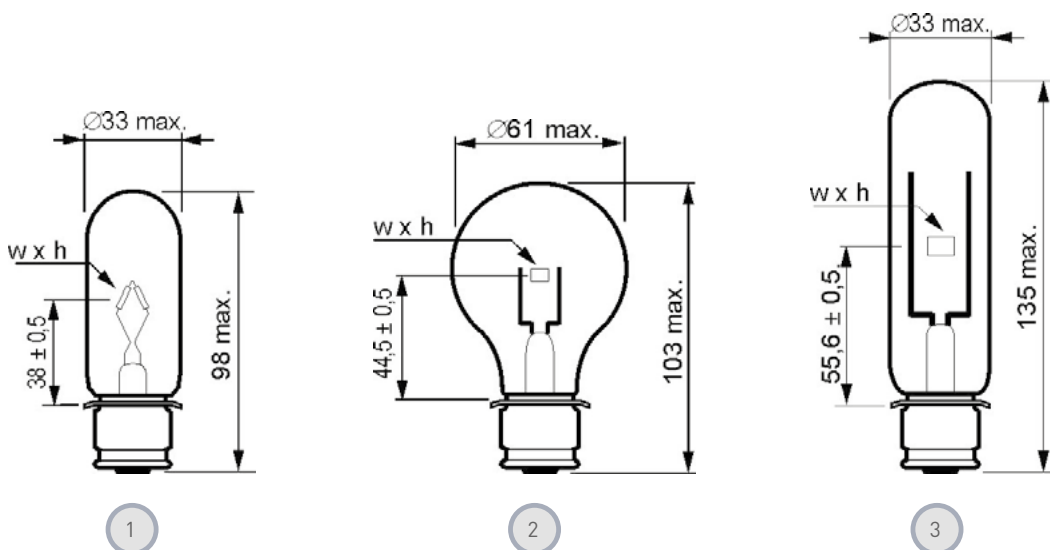


7670C

# CONVENTIONAL AIRFIELD LAMPS PREFOCUS

Type	Current A	Wattage W	Base	Lumens Lm	Average life hrs.	LCL mm	Filament	Figure	Part number
7669C	6,6	30	P28s	450	1000	38	C-2V	1	67830
<b>7669H</b>	<b>6,6</b>	<b>30</b>	<b>P28s</b>	<b>450</b>	<b>2000</b>	<b>38</b>	<b>**</b>	<b>1</b>	<b>58318</b>
7654C	6,6	45	P28s	730	1000	38	C-2V	1	67845
<b>7654H</b>	<b>6,6</b>	<b>45</b>	<b>P28s</b>	<b>730</b>	<b>2000</b>	<b>38</b>	<b>**</b>	<b>1</b>	<b>58320</b>
7668C	6,6	100	P28s	1850	1000	38	C-2V	1	67851
7670C	6,6	200	P28s	4600	200	44,5	CC-6	2	67860
6936C	6,6	210	P28s	4500	300	55,6	C-13	3	67861

Remark: bold marked types are Halogen Long life types



# AIRFIELD LAMPS

## CROSS-REFERENCE/REPLACEMENT GUIDE

GE types	Equivalent NARVA types	NARVA part no.	SLI types	Equivalent NARVA types	NARVA part no.
EVV	6128	58355	L2352 / 24522	6107LL	58306
EWB	6292	58365	L2354 / 21518	6139LL	58378
EXL	6112LL	58312	L2358 / 21496	6101LL	58304
EXM	6134LL	58325	L2359 / 21497	6106LL	58305
EZL	6372LL	58374	L2362 / 24526	6103	58307
Q200/T4/CL	6372LL	58384	L2368 / 21498	6105	58308
Q6.6A45PK30d-m	6303LL	58326	L2369 / 21499	6108	58310
Q6.6A45PK30d-f	6130LL	58328	L2370 / 21500	6102	58302
Q6.6A100PK30d-m	6116LL	58347	L2373 / 21483	6144	58334
Q6.6A100PK30d-f	6121LL	58349	L2500 / 21757	6112LL	58312
Q6.6A150PK30d-m	6392LL	58368	L2501 / 21686	6134LL	58325
Q6.6A150PK30d-f	6118LL	58369	L2502 / 24529	6292	58365
Q6.6A200PK30d-m	6117LL	58377	L2504 / 21696	6372LL	58374
Q6.6A200PK30d-f	6139LL	58378	L2505 / 24531	6128	58355
6,6A/T10P	7654C or H	67845 / 58320	L2511 / 22214	6123	58323
6,6A/T10/1P	7669C or H	67830 / 58318	L2513 / 22212	6343	58343
6,6A/T10/2P	7668C	67851	L2514 / 22211	6373	58373
6,6A/T14/3P	6936C	67861	L2517 / 21480	6315	58315

OSRAM types	Equivalent NARVA types	NARVA part no.	OSRAM types	Equivalent NARVA types	NARVA part no.
58750	6372LL	58374	64337 B 48-15	6107LL	58306
58798	6128	58355	64337 C 48-15	6106LL	58305
64316	6133	58331	64338 AC	6138	58317
64317 C 45-10	6303LL	58326	64339 A 105-10	6105	58308
64317 IRC-A 45-30	6130LL	58328	64339 B 105-10	6103	58307
64317 IRC-C 45-30	6303LL	58326	64339 C 105-10	6108	58310
64318 A 45-10	6130LL	58328	64341 HLX-A 100-15	6121LL	58349
64318 Z/C 45-10	6303LL	58326	64341 HLX-Z/C 100-15	6116LL	58347
64319 A 45-10	6132LL	58330	64342 HLX-A 100-15	6121LL	58349
64319 Z/C 45-10	6133LL	58331	64342 HLX-C 100-15	6116LL	58347
64319 IRC-A 45-30	6132LL	58330	64346	6343	58343
64319 IRC-C 45-30	6133LL	58331	64354	6292	58365
64320	6134LL	58325	64361 HLX-A 150-15	6118LL	58369
64321	6123	58323	64361 HLX-Z/C 150-15	6392LL	58368
64322	6112LL	58312	64382 HLX-A 200-15	6139LL	58378
64328 HLX-A 65-10	6125LL	58338	64382 HLX-C 200-15	6117LL	58377
64328 HLX-Z/C 65-10	6304LL	58337	64386	6373	58373
64331 SP-A 30-10	6144	58334			
64333 A 40-15	6110	58301			
64333 B 40-15	6102	58302	<b>KLS types</b>	<b>Equivalent NARVA types</b>	<b>NARVA part no.</b>
64333 C 40-15	6104	58303	JFR 6.6A 48W/5-FC	6101LL	58304
64337 A 45-15	6145LL	58381	JFR 6.6A 105W/5-FC	6105	58308
64337 B 45-15	6146LL	58382	JFR 6.6A 40W/3-RF	6110	58301
64337 A 48-10	6143	58333	JF 6.6A 200W PK/MC	6117LL	58377
64337 C 48-10	58340	58340	JF 6.6A 45W PK/FC	6130LL	58328
64337 A 48-15	6101LL	58304			

**NARVA**  
SPECIAL LIGHTING

**vosla** GmbH  
L.-F.-Schönherr-Straße 15  
08523 Plauen · Germany

phone +49 3741 396 700  
fax +49 3741 396 750  
e-mail [sales@vosla.com](mailto:sales@vosla.com)

[www.vosla.com](http://www.vosla.com)