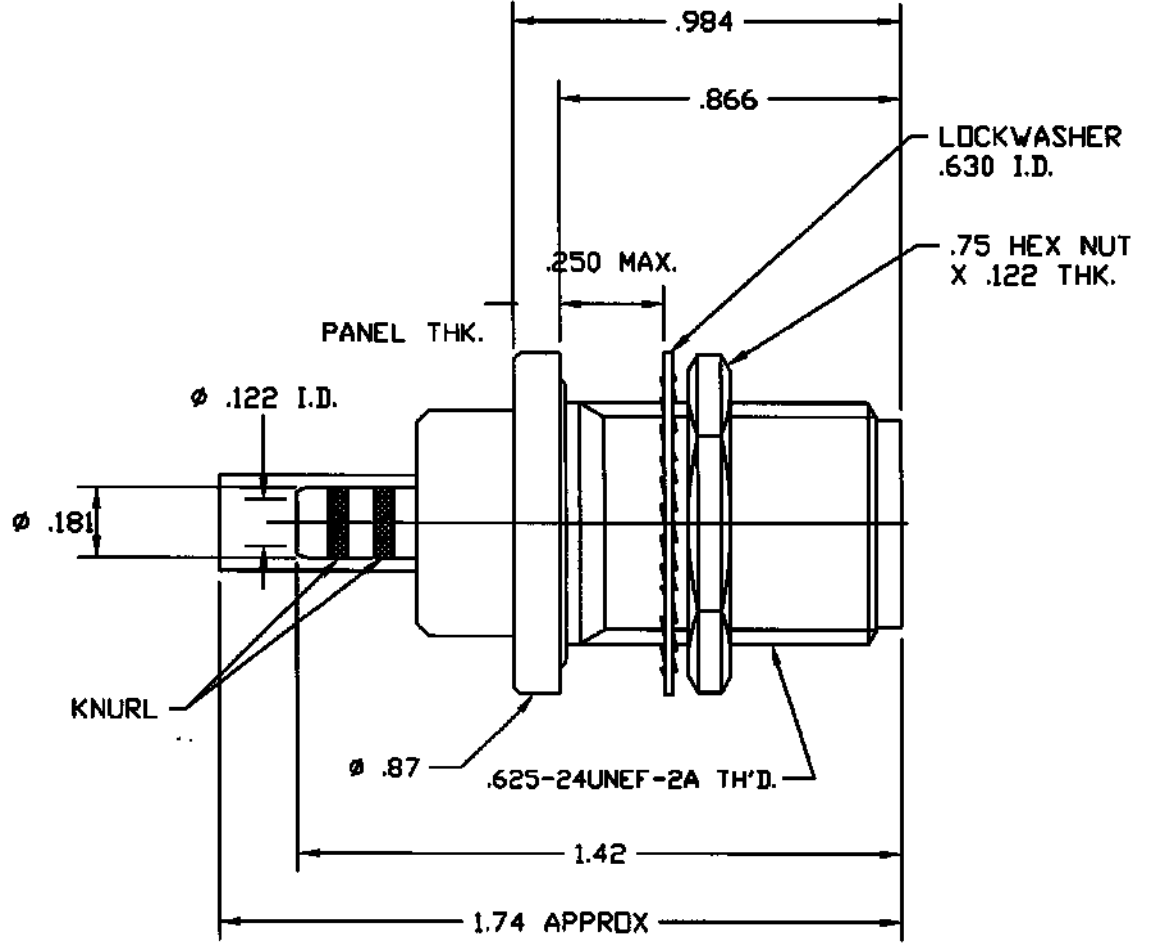
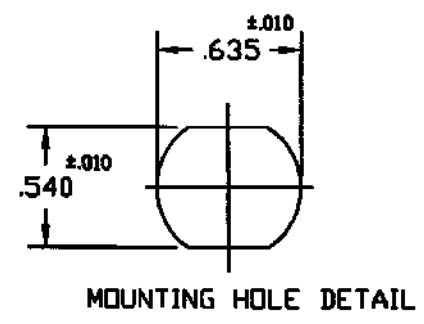
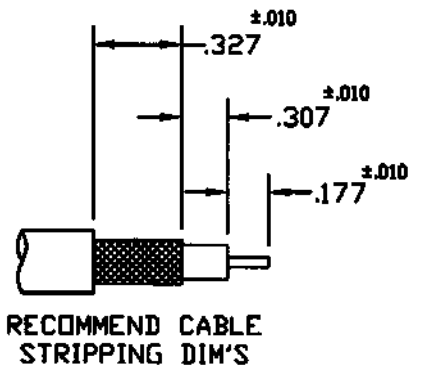
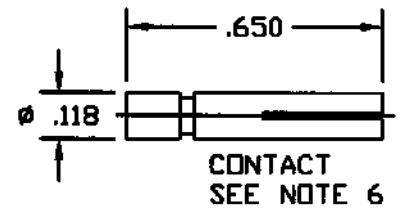
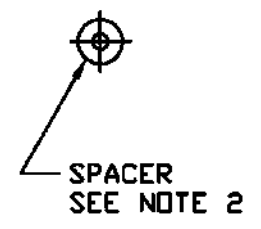
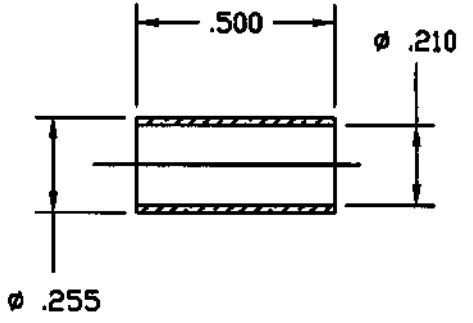


82-5378-RFX		REVISIONS			
DRAWING NO.	REV	DESCRIPTION	DATE	ECO	APPR
THIRD ANGLE PROJ.	A	OFFICIAL ENG. RELEASE TO MFG.	4/30/96	41293	CPM/
	B	SEE SHEET 1	11/14/01	43895	CPM/
	C	SEE SHEET 1	12-13-01	43913	CPM/

**NOTES:**

- BODY, LOCKWASHER & HEX NUT - BRASS, NICKEL PLATED (.000100 MIN).  
INSULATOR - TEFLON.  
CONTACT - PHOSPHOR BRONZE, GOLD PLATED (.000003 MIN).  
FERRULE - COPPER ALLDY, NICKEL PLATED (.000100 MIN).  
GASKET - SILICONE RUBBER.
- SPACER P/N 82-10828 IS SUPPLIED SEPARATELY.  
THIS ITEM IS USED DURING TERMINATION PROCESS TO BELDEN YR20621.
- CONNECTOR IS BULKPACKED 50 PCS PER BAG.
- USE AMPHENOL CRIMP TOOL CTL-3.
- AGCS PART NUMBER ME996100 21.
- CAPTIVATED CONTACT, .043 ENTRY.
- DO NOT SCALE THIS DRAWING.
- UNLESS OTHERWISE SPECIFIED, ALL DIMENSIONS ARE AFTER PLATING.



**CUSTOMER OUTLINE DRAWING**  
ALL OTHER SHEETS ARE FOR INTERNAL USE ONLY

UNLESS OTHERWISE SPECIFIED, DIMENSIONS ARE IN INCHES AND TOLERANCES ARE: 2 PLACE DECIMAL ±.015 (0.381 mm) 3 PLACE DECIMAL ±.005 (0.127 mm) ANGLES ± 1°	MATERIAL	DRAWN C. McGRATH	DATE 5/31/94	TITLE CRIMP 'N' BULKHEAD JACK FOR RG58/U, 58A/, 58B/U, 58C/U, 141/U, 141A/U & BELDEN YR20621 CABLES	<b>Amphenol</b> Amphenol Corporation RF/Microwave Operations Danbury, Conn. U.S.A. 06810 SCALE: 2:1 SHEET 2 OF 2	
	REFERENCE EAR 964467-0	ENGINEER D. ROYCE	DATE 4/29/96	APPROVED D. ROYCE		DATE 4/29/96
NOTICE - These drawings, specifications, or other data (1) are, and remain the property of Amphenol Corp. (2) must be returned upon request; and (3) are confidential and not to be disclosed to any person other than those to whom they are given by Amphenol Corp. The furnishing of these drawings, specifications, or other data by Amphenol Corp., or to any other person to anyone for any purpose is not to be regarded by implication or otherwise in any manner licensing, granting rights or permitting such holder or any other person to manufacture, use or sell any product, process or design, patented or otherwise, that may in any way be related to or disclosed by said drawings, specifications, or other data.		CAD FILE H:\DEPT611\N\082\ASSY\5378\RFXSHT2	CODE ID 74868	DWG SIZE B	DRAWING NO. 82-5378-RFX	REV C