

Bus coupler - AXL F BK PN TPS XC



1068857

<https://www.phoenixcontact.com/pc/products/1068857>

Please be informed that the data shown in this PDF document is generated from our Online Catalog. Please find the complete data in the user documentation. Our General Terms of Use for Downloads are valid.



Axioline F, Bus coupler, PROFINET, RJ45 jack, Extreme conditions version, transmission speed in the local bus: 100 Mbps, degree of protection: IP20, including bus base module and Axioline F connector

Product Description

The bus coupler is intended for use within a PROFINET network. The bus coupler creates the link to the Axioline F I/O system and the industrial I/O signals connected to it. Up to 63 Axioline F devices can be connected to the bus coupler. Device descriptions for Phoenix Contact controllers are integral parts of the engineering tools PC Worx and PLCnext Engineer. Corresponding GSDML files are available for integrating the Axioline F station into other programming systems. These files can be downloaded at: [phoenixcontact.net/product/1068857](https://www.phoenixcontact.net/product/1068857).

Your advantages

- 2 Ethernet ports (with integrated switch)
- Conformance with PROFINET specification V2.3
- Supports PROFI-safe
- Supports PROFI-energy
- Supports PROFINET S2 system redundancy (firmware version 1.30 or later)
- PROFINET RT and IRT
- Minimum cycle time of PROFINET for RT and IRT is 250 μ s
- Firmware can be updated
- Runtime in bus coupler is negligible (almost 0 μ s)
- Typical cycle time of the Axioline F local bus is around 10 μ s
- Web-based management
- Supports the operation of Axioline Smart Elements
- Supports passive Smart Elements (firmware version 1.30 or later)
- Supports IOL-CONF (firmware version 1.30 and later)
- Supports Diag+
- Safe analog value processing with SAFE AI and other components
- Can be used under extreme ambient conditions
- Extended temperature range of -40 °C ... +70 °C (see "Tested successfully: use under extreme ambient conditions" in the data sheet)
- Partially coated PCBs

Commercial Data

Item number	1068857
Packing unit	1 pc
Minimum order quantity	1 pc
Product Key	DRI21A

Bus coupler - AXL F BK PN TPS XC



1068857

<https://www.phoenixcontact.com/pc/products/1068857>

GTIN	4055626743653
Weight per Piece (including packing)	222.6 g
Weight per Piece (excluding packing)	222.6 g
Customs tariff number	85176200
Country of origin	DE

Bus coupler - AXL F BK PN TPS XC

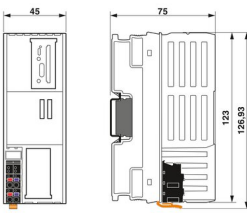


1068857

<https://www.phoenixcontact.com/pc/products/1068857>

Technical Data

Dimensions

Dimensional drawing	
Width	45 mm
Height	126.93 mm
Depth	75 mm
Note on dimensions	The depth applies when a TH 35-7.5 DIN rail is used (in accordance with EN 60715).

Material specifications

Color	traffic grey A RAL 7042
-------	-------------------------

Interfaces

PROFINET

Number of interfaces	2
Connection method	RJ45 jack
Note on the connection method	Auto negotiation and autocrossing
Transmission speed	100 Mbps (full duplex)
Transmission physics	Ethernet in RJ45 twisted pair

Axioline F local bus

Number of interfaces	1
Connection method	Bus base module
Transmission speed	100 Mbps

Service

Number of interfaces	1
Connection method	USB type C

System properties

System limits

Number of supported devices	max. 63 (per station)
Number of local bus devices that can be connected	max. 63

PROFINET

Device function	PROFINET device
Specification	Version 2.3

Bus coupler - AXL F BK PN TPS XC



1068857

<https://www.phoenixcontact.com/pc/products/1068857>

Conformance Class	Conformance-Class C
-------------------	---------------------

Product properties

Type	block modular
Product type	I/O component
Mounting position	any
Scope of delivery	including bus base module and Axioline F connector

Insulation characteristics

Overvoltage category	II (IEC 60664-1, EN 60664-1)
Pollution degree	2 (IEC 60664-1, EN 60664-1)

Electrical properties

Potentials: Communications power U_L feed-in (the supply of the Axioline F local bus U_{BUS} is generated from U_L)

Supply voltage	24 V DC
Supply voltage range	19.2 V DC ... 30 V DC (including all tolerances, including ripple)
Current draw	max. 600 mA (with 2 A at U_{BUS} for the I/O and $U_L = 24$ V)
Power consumption	max. 14.4 W (with 2 A load at U_{BUS} for the I/Os and $U_L = 19$ V)
Protective circuit	Surge protection; electronic Reverse polarity protection; electronic

Potentials: Axioline F local bus supply (U_{BUS})

Supply voltage	5 V DC (via bus base module)
Power supply unit	max. 2 A

Connection data

Connection technology

Connection name	Axioline F connector
Note on the connection method	Please observe the information provided on conductor cross sections in the "Axioline F: system and installation" user manual.

Conductor connection

Connection method	Push-in connection
Conductor cross section solid	0.2 mm ² ... 1.5 mm ²
Conductor cross section flexible	0.2 mm ² ... 1.5 mm ²
Conductor cross section AWG	24 ... 16
Stripping length	8 mm

Axioline F connector

Connection method	Push-in connection
Note on the connection method	Please observe the information provided on conductor cross sections in the "Axioline F: system and installation" user manual.
Conductor cross section, rigid	0.2 mm ² ... 1.5 mm ²
Conductor cross section, flexible	0.2 mm ² ... 1.5 mm ²
Conductor cross section AWG	24 ... 16
Stripping length	8 mm

Bus coupler - AXL F BK PN TPS XC



1068857

<https://www.phoenixcontact.com/pc/products/1068857>

Ambient conditions

Ambient temperature (operation)	-25 °C ... 60 °C (Standard, applications with UL approval, use in zone 2 potentially explosive area)
	-40 °C ... 70 °C (Extended, see section "Tested successfully: use under extreme ambient conditions" in the data sheet.)
Degree of protection	IP20
Air pressure (operation)	70 kPa ... 106 kPa (up to 3000 m above sea level)
Air pressure (storage/transport)	70 kPa ... 106 kPa (up to 3000 m above sea level)
Ambient temperature (storage/transport)	-40 °C ... 85 °C
Permissible humidity (operation)	5 % ... 95 % (non-condensing)
Permissible humidity (storage/transport)	5 % ... 95 % (non-condensing)

Standards and regulations

Protection class	III (IEC 61140, EN 61140, VDE 0140-1)
------------------	---------------------------------------

Approval data

ATEX

Identification	<input type="checkbox"/> II 3 G Ex ec IIC T4 Gc
Certificate	UL 20 ATEX 2241X

IECEX

Identification	Ex ec IIC T4 Gc
Certificate	IECEX ULD 20.0026X

UL, USA / Canada

Identification	cULus
Certificate	E238705

UL Ex, USA / Canada

Identification	Class I, Zone 2, AEx ec IIC T4, Ex ec IIC T4 Gc X
	Class I, Div. 2, Groups A, B, C, D T4
Certificate	E366272

Mounting

Mounting type	DIN rail mounting
Mounting position	any

Bus coupler - AXL F BK PN TPS XC

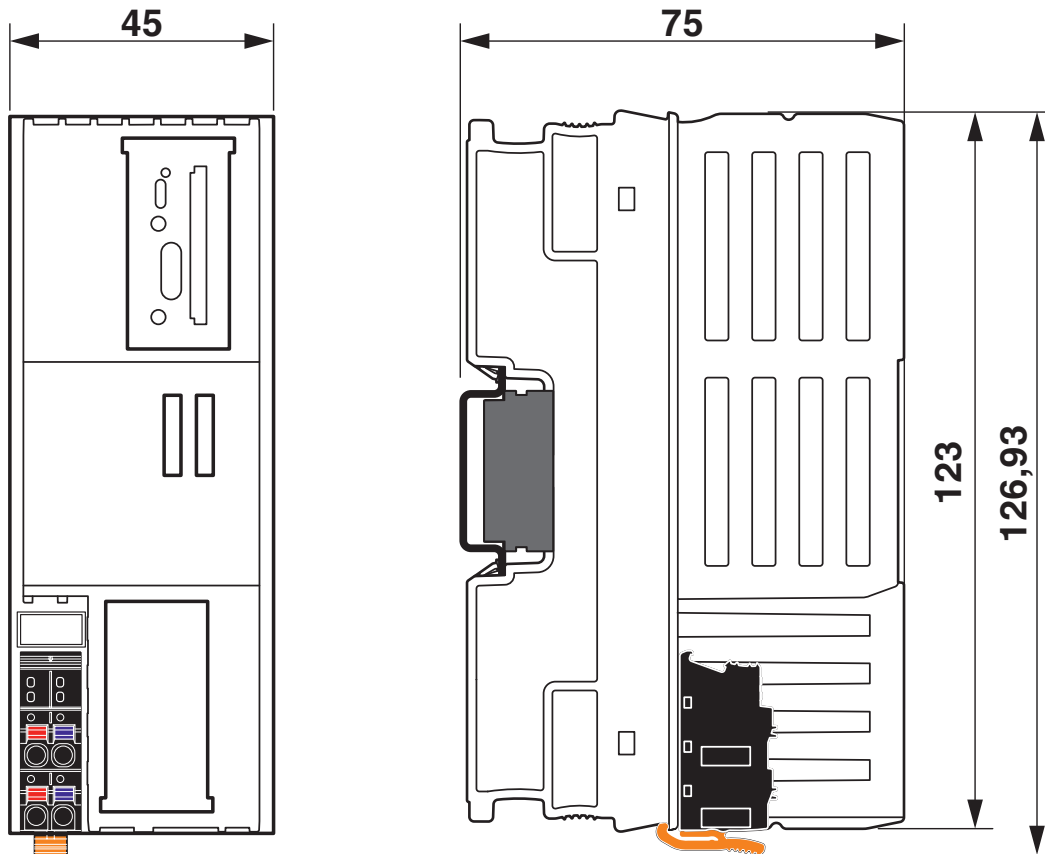


1068857

<https://www.phoenixcontact.com/pc/products/1068857>

Drawings

Dimensional drawing

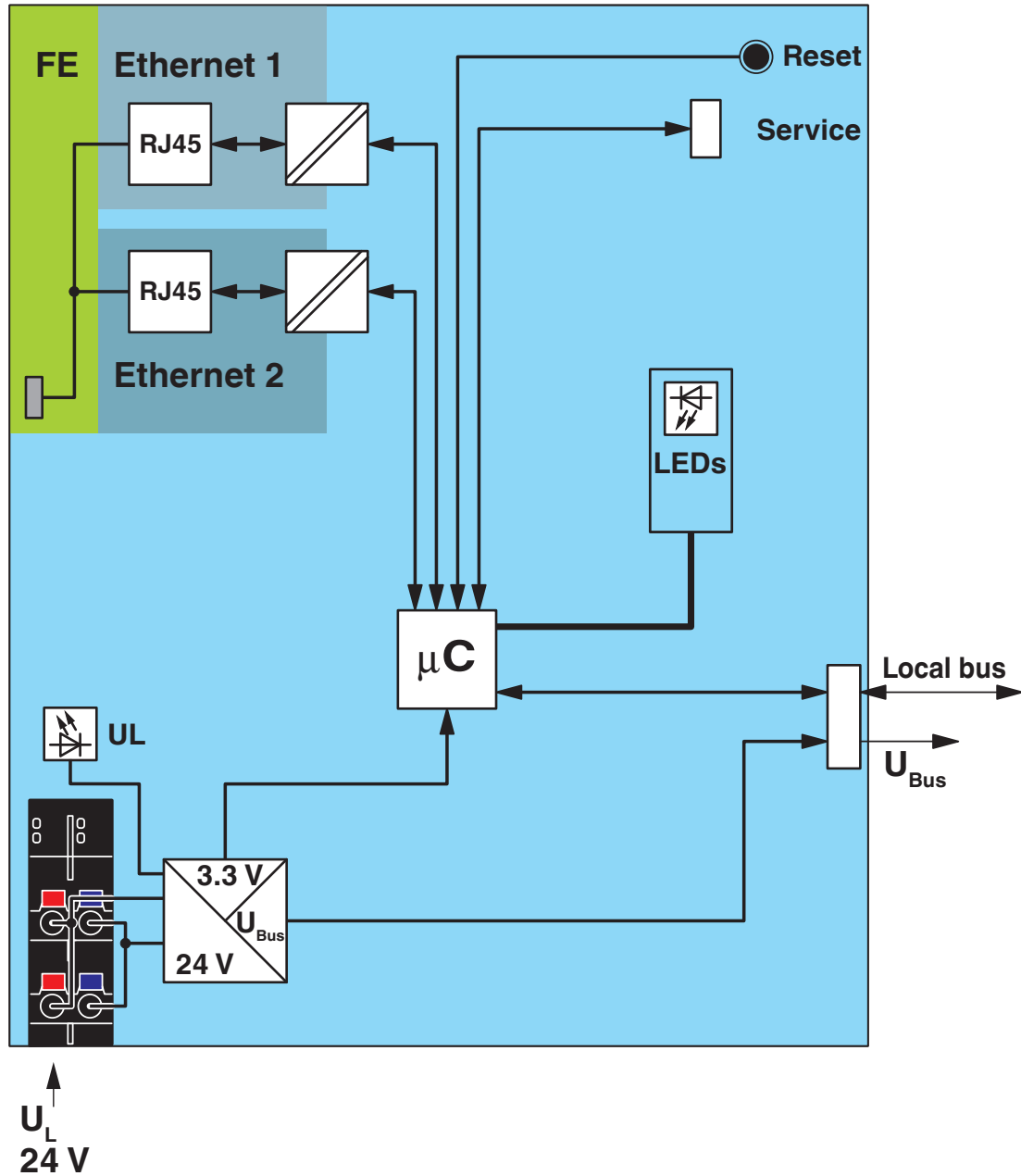


Bus coupler - AXL F BK PN TPS XC

1068857

<https://www.phoenixcontact.com/pc/products/1068857>

Block diagram



Internal wiring of the terminal points

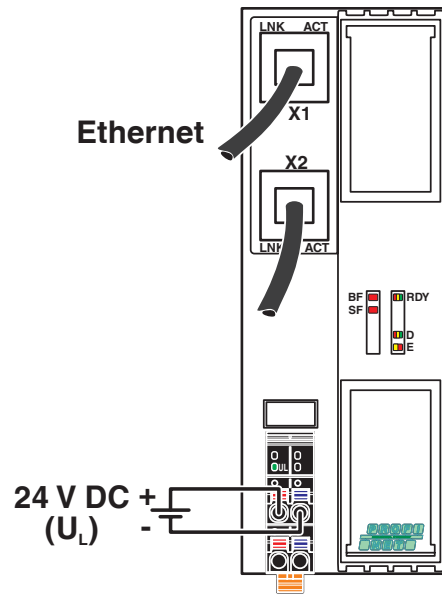
Bus coupler - AXL F BK PN TPS XC

1068857

<https://www.phoenixcontact.com/pc/products/1068857>



Connection diagram



Connection of the cables


Bus coupler - AXL F BK PN TPS XC




1068857


<https://www.phoenixcontact.com/pc/products/1068857>

Approvals


 **UL Listed**
Approval ID: FILE E 238705

 **cUL Listed**
Approval ID: FILE E 238705

PROFINET
Approval ID: Z12931

 **IECEx**
Approval ID: IECEx ULD 20.0026X

 **ATEX**
Approval ID: UL 20 ATEX 2441X

 **cULus Listed**
Approval ID: FILE E 366272

cULus Listed

Bus coupler - AXL F BK PN TPS XC



1068857

<https://www.phoenixcontact.com/pc/products/1068857>

Classifications

ECLASS

ECLASS-9.0	27242608
ECLASS-10.0.1	27242608
ECLASS-11.0	27242608

ETIM

ETIM 8.0	EC001604
----------	----------

UNSPSC

UNSPSC 21.0	32151600
-------------	----------

Bus coupler - AXL F BK PN TPS XC

1068857

<https://www.phoenixcontact.com/pc/products/1068857>



Environmental Product Compliance

REACH SVHC

Lead 7439-92-1

Bus coupler - AXL F BK PN TPS XC

1068857

<https://www.phoenixcontact.com/pc/products/1068857>



Accessories

Bus connector

Bus connector - AXL F BS BK - 2701422

<https://www.phoenixcontact.com/pc/products/2701422>

Axioline F bus base module for housing type BK



RJ45 connector

RJ45 connector - FL PLUG RJ45 GR/2 - 2744856

<https://www.phoenixcontact.com/pc/products/2744856>

RJ45 connector, shielded, with bend protection sleeve, 2 pieces, gray for straight cables, for assembly on site. For connections that are not crossed, it is recommended that you use the connector set with gray bend protection sleeve.



Bus coupler - AXL F BK PN TPS XC

1068857

<https://www.phoenixcontact.com/pc/products/1068857>

RJ45 connector

RJ45 connector - FL PLUG RJ45 GN/2 - 2744571

<https://www.phoenixcontact.com/pc/products/2744571>



RJ45 connector, shielded, with bend protection sleeve, 2 pieces, green for crossed cables, for assembly on site. For connections that are crossed, it is recommended that the connector set with green bend protection sleeves is used.

Network cable

Network cable - FL CAT5 HEAVY - 2744814

<https://www.phoenixcontact.com/pc/products/2744814>



CAT5-SF/UTP cable (J-02YS(ST)C HP 2 x 2 x 24 AWG), heavy-duty installation cable, 2 x 2 x 0.22 mm², solid conductor, shielded, outer sheath: 7.8 mm diameter, inner sheath: 5.75 mm ± 0.15 mm diameter

Bus coupler - AXL F BK PN TPS XC

1068857

<https://www.phoenixcontact.com/pc/products/1068857>



Installation cable

Installation cable - FL CAT5 FLEX - 2744830

<https://www.phoenixcontact.com/pc/products/2744830>



By the meter, Installation cable, Ethernet CAT5 (100 Mbps), shielded, PUR halogen-free, water blue RAL 5021, 4-wire (2x2xAWG26/7; SF/UTP), color single wire: white/orange-orange, white/green-green, cable length: Free entry (1.0 ... 1000.0 m)

Assembly tool

Assembly tool - FL CRIMPTOOL - 2744869

<https://www.phoenixcontact.com/pc/products/2744869>



Crimping pliers, for assembling the RJ45 plugs FL PLUG RJ45..., for assembly on site

Bus coupler - AXL F BK PN TPS XC

1068857

<https://www.phoenixcontact.com/pc/products/1068857>

Zack marker strip

Zack marker strip - ZB 20,3 AXL UNPRINTED - 0829579

<https://www.phoenixcontact.com/pc/products/0829579>



Zack marker strip for Axioline F (device labeling), in 2 x 20.3 mm pitch, unprinted, 25-section, for individual labeling with B-STIFT 0.8, X-PEN, or CMS-P1-PLOTTER

Zack Marker strip, flat

Zack Marker strip, flat - ZBF 10/5,8 AXL UNPRINTED - 0829580

<https://www.phoenixcontact.com/pc/products/0829580>



Zack Marker strip, flat, Strip, white, unlabeled, can be labeled with: PLOTMARK, CMS-P1-PLOTTER, mounting type: snapped, for terminal block width: 10.15 mm, lettering field size: 4 of 10.15 x 5 mm and 1 of 5.8 x 5 mm, Number of individual labels: 50

Bus coupler - AXL F BK PN TPS XC



1068857

<https://www.phoenixcontact.com/pc/products/1068857>

Insert label

Insert label - EMT (35X18,7)R - 0801831

<https://www.phoenixcontact.com/pc/products/0801831>



Insert label, Roll, white, unlabeled, can be labeled with: THERMOMARK ROLLMASTER 300/600, THERMOMARK X1.2, THERMOMARK ROLL X1, THERMOMARK ROLL 2.0, THERMOMARK ROLL, mounting type: snapped, lettering field size: 35 x 18.7 mm, Number of individual labels: 500

Function block

Function block - SAFE AI - 2400057

<https://www.phoenixcontact.com/pc/products/2400057>



Function block library for safety-related analog value acquisition with standard I/O modules. **Please contact the safety hotline (+49 5281 9-462777) before ordering the SAFE AI article.**

Bus coupler - AXL F BK PN TPS XC



1068857

<https://www.phoenixcontact.com/pc/products/1068857>

Connecting cable

Connecting cable - CAB-USB A/ USB C/1,8M - 2404677

<https://www.phoenixcontact.com/pc/products/2404677>

Connecting cable, for connecting the controller to a PC from USB A to USB C



Connecting cable

Connecting cable - CAB-USB C/ USB C/1,8M - 1021809

<https://www.phoenixcontact.com/pc/products/1021809>

Connecting cable, for connecting the controller to a PC from USB C to USB C



Phoenix Contact 2022 © - all rights reserved
<https://www.phoenixcontact.com>

PHOENIX CONTACT GmbH & Co. KG
Flachsmarktstraße 8
D-32825 Blomberg
+49 (0) 5235-3 00
info@phoenixcontact.com