

# Case

black 240 x 205 x 48 mm, Polypropylene



## FEATURES:

Plastic case with foam

Innovative design with soft lines

External customization: screen-printing on both sides, embossed

Die-cut foam inlay

Cases stack inside each other for easier and more efficient storage and freight

## SPECIFICATION:

External dimensions W x D x H 240 x 205 x 48 mm

Dimensions, internal W x D x H 235 x 185 x 43 mm

Colour black

Material Polypropylene

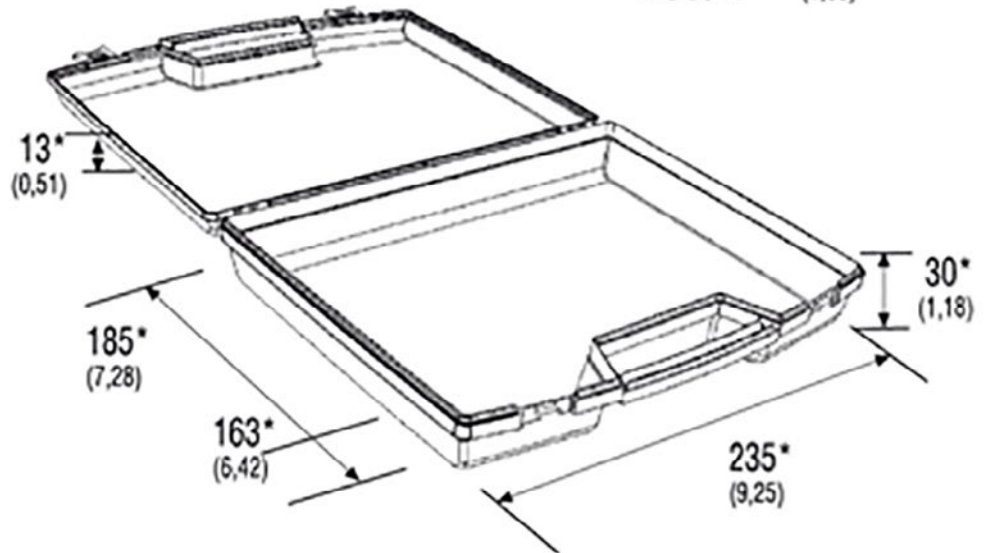


Art. Nr.

RND 550-00076

**Dim. INTERNE**  
*INSIDE Dim.*

H interna 43\*  
Inside H (1,69)



**Dim. ESTERNE**  
*OUTSIDE Dim.*

